

MULTI-USE PATH DETAIL AT APPROACH TO BRIDGE
NO SCALE

APPROACH SIDEWALK GENERAL NOTES

- PLACE NO. 6 REINFORCEMENT BARS AT 6" CENTERS, 8' LONG, 2" CLEAR FROM ALL SIDES, BEGINNING 2" FROM EACH END OF BRIDGE RUNNING LONGITUDINALLY ALONG THE PR MULTI-USE PATH.
- THE COST OF FURNISHING AND INSTALL THE REINFORCEMENT BARS SHALL BE INCLUDED IN THE COST OF CONSTRUCTING P.C. CONCRETE SIDEWALK 6" AND NO ADDITIONAL COMPENSATION WILL BE ALLOWED.

RADIUS TABLE

RADIUS NO.	RADIUS	STATION	OFFSET
R1	5'	26+40.55	22.04' LT
R2	5'	26+40.55	8.04' LT
R3	5'	26+40.54	6.40' LT
R4	5'	26+54.55	7.00' LT

SOUTH END EDGE OF PATH TABLE

POINT NO.	STATION	OFFSET
S1	26+12.64	0.00' LT
S2	26+22.64	0.50' LT
S3	26+32.64	1.00' LT
S4	26+40.80	1.41' LT
S5	26+54.55	2.00' LT
S6	26+12.64	8.00' RT
S7	26+22.64	8.50' RT
S8	26+32.64	9.00' RT
S9	26+42.64	9.50' RT
S10	26+52.64	10.00' RT

NORTH END EDGE OF PATH TABLE

POINT NO.	STATION	OFFSET
N1	27+51.80	2.00' LT
N2	27+61.80	1.50' LT
N3	27+71.80	1.00' LT
N4	27+81.80	0.50' LT
N5	27+91.80	0.00' LT
N6	27+51.80	10.00' RT
N7	27+61.80	9.50' RT
N8	27+71.80	9.00' RT
N9	27+81.80	8.50' RT
N10	27+91.80	8.00' RT

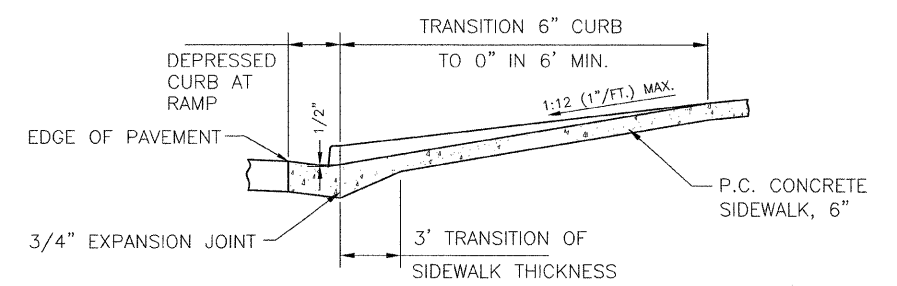
SIDEWALK GENERAL NOTES

THE COST OF CONSTRUCTING THE DEPRESSED CURB AS SHOWN SHALL BE CONSIDERED INCLUDED IN THE COST OF CONSTRUCTING COMBINATION CONCRETE CURB AND GUTTER AND THE TYPE SHOWN IN THE PLANS AND NO ADDITIONAL COMPENSATION WILL BE ALLOWED.

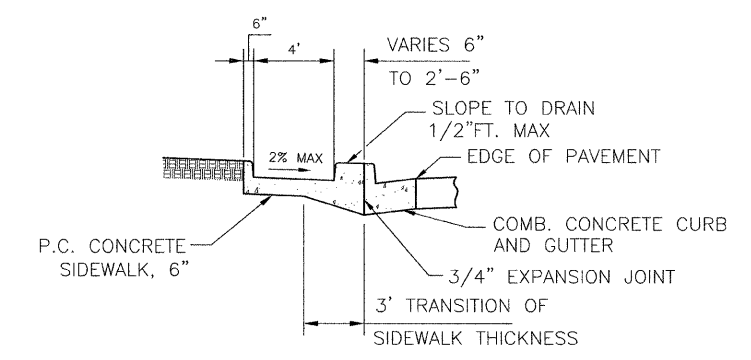
THE COST OF FURNISHING AND INSTALLING THE 3/4" EXPANSION JOINTS AND THE COST OF CONSTRUCTING THE P.C.C. SIDEWALK THICKNESS TRANSITION, INCLUDING THE ADJACENT CURBING AS SHOWN, SHALL BE INCLUDED IN THE COST OF CONSTRUCTING P.C. CONCRETE SIDEWALK 6" AND NO ADDITIONAL COMPENSATION WILL BE ALLOWED.

DETECTABLE WARNINGS SHALL BE CONSTRUCTED IN ACCORDANCE WITH STD. 424001 AND THE SPECIAL PROVISIONS. THIS WORK WILL BE PAID FOR AT THE CONTRACT UNIT PRICE PER SQUARE FOOT FOR DETECTABLE WARNINGS. SEE PLANS FOR DETAILS.

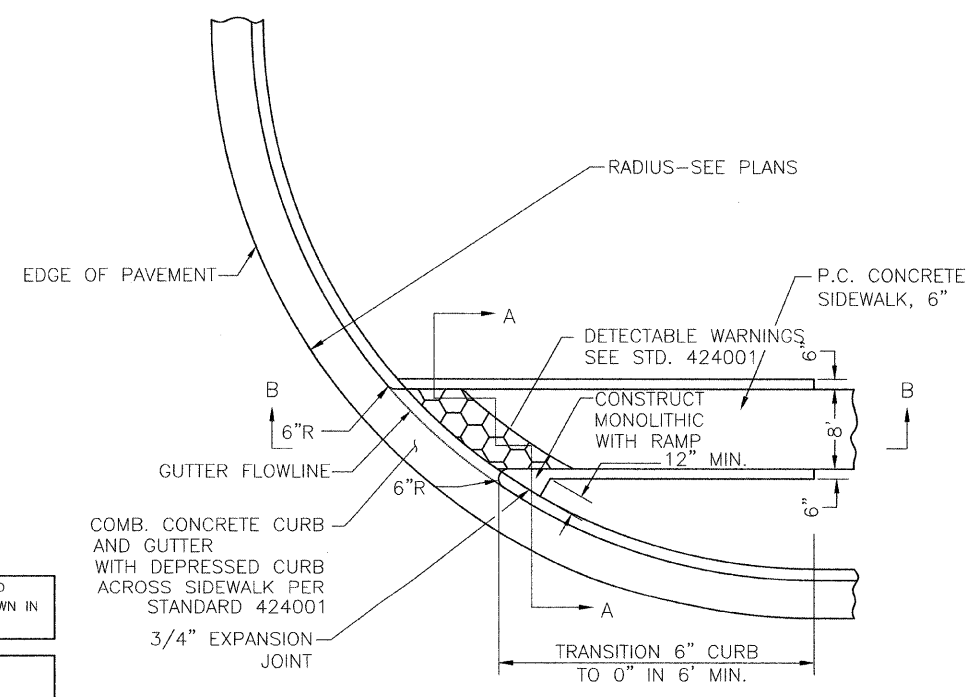
THE NORMAL CROSS SLOPES OF SIDEWALKS SHALL BE 2.0% MAXIMUM EXCEPT AT THE RAMP LOCATIONS.



SECTION A-A



SECTION B-B



PLAN

SIDEWALK RAMP DETAILS

JAN 20 2011 1:50PM MISCDDETAIL 01.DWG