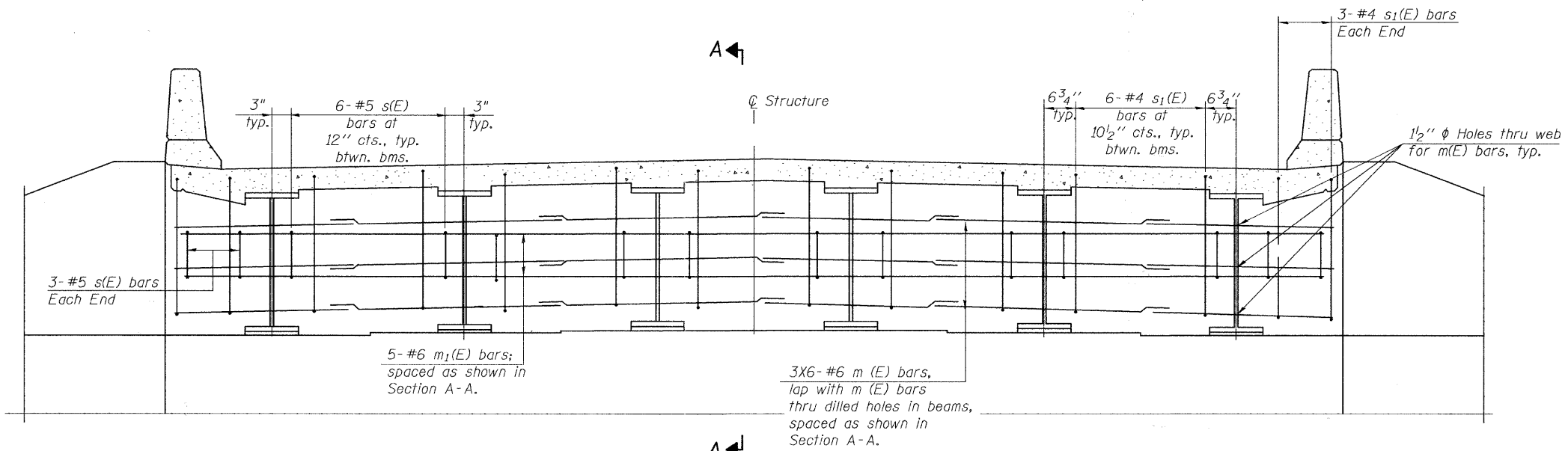
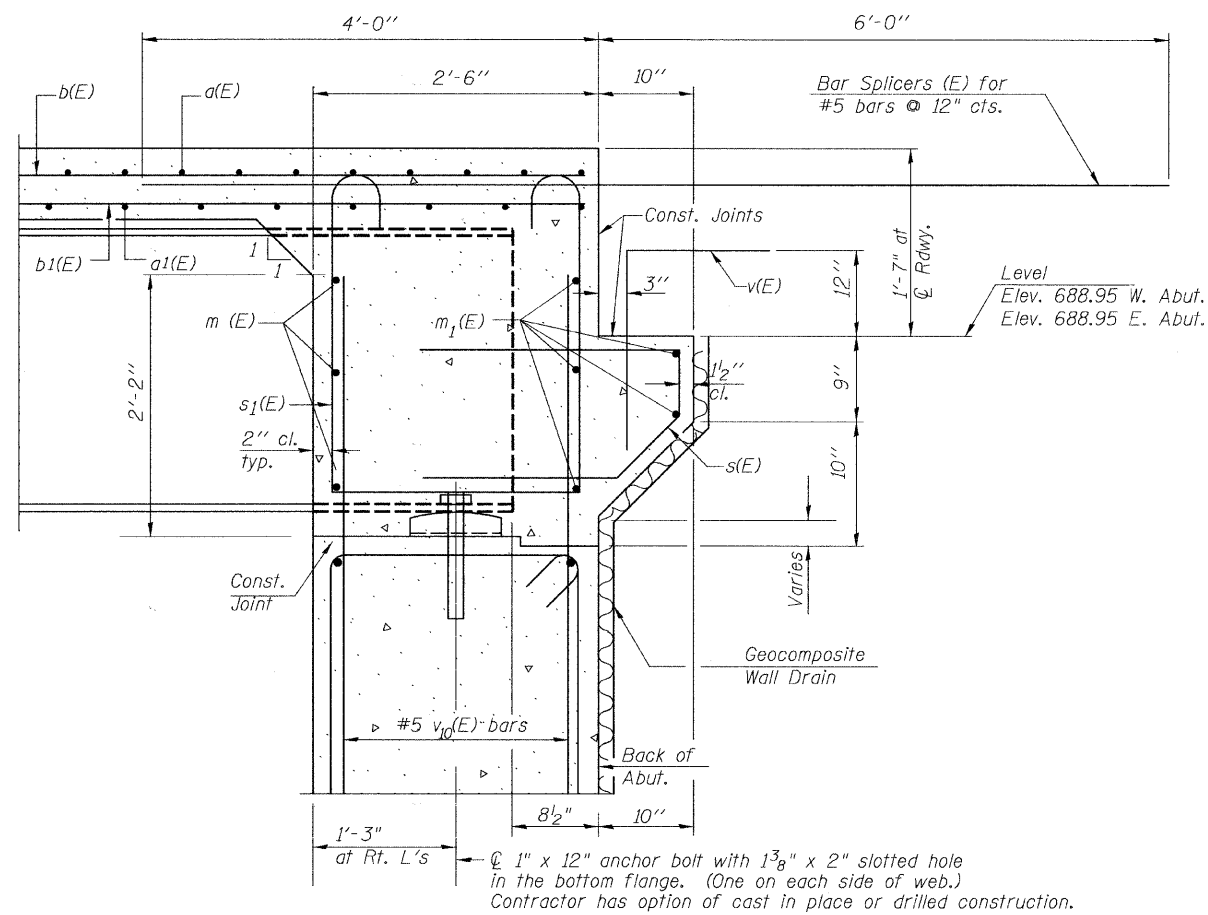


ROUTE NO.	SECTION	COUNTY	TOTAL SHEETS	SHEET NO.
C.H. II	10-00962-00-BR	CHAMPAIGN	40	20
STA.	TO STA.			
F.H.W.A. REG.	ILLINOIS PROJECT			



DIAPHRAGM ELEVATION AT ABUTMENT



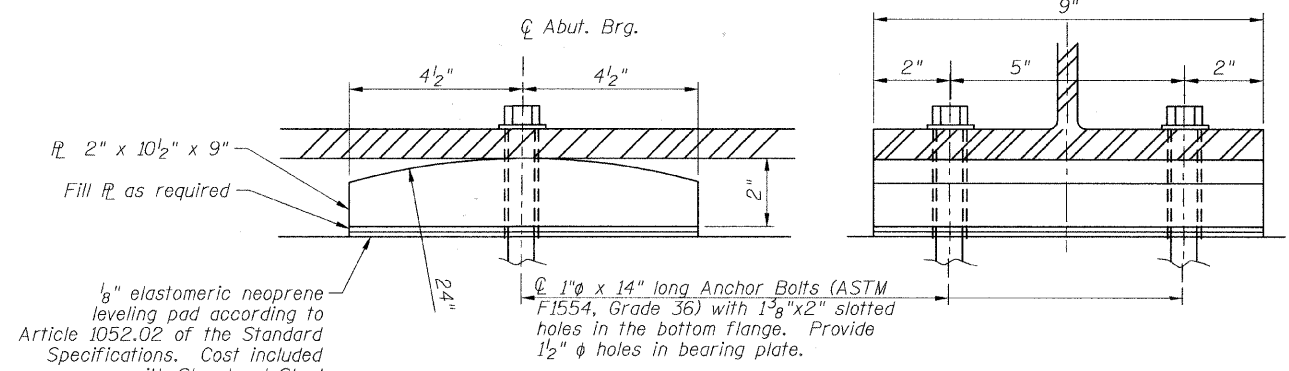
SECTION A-A

Dimensions at right angles to abutment, except as shown.

*Included in the cost of "Concrete Structures".

**Included in the cost of "Porous Granular Embankment".

Notes:
 Reinforcement bars in diaphragm are billed with superstructure on sheet 8 of 23.
 Concrete in diaphragm is included with Concrete Superstructure on sheet 8 of 23.
 For details of bars s(E) and s1(E) see sheet 8 of 23.



ELEVATION AT ABUT

SECTION B-B

ROCKER PLATE DETAIL

12 REQUIRED

MIN. BAR LAP

#6 bar = 2'-9"

- Notes:
- Anchor bolts shall be ASTM F1554 all-thread (or an Engineer-approved alternate material) of the grade(s) and diameter(s) specified. ASTM A307 Grade C anchor bolts may be used in lieu of ASTM F1554 Grade 36 (Fy=36ksi). The corresponding specified grade of AASHTO M314 anchor bolts may be used in lieu of ASTM F1554.
 - Rocker Plates shall be AASHTO M270 Gr. 50W
 - Two 1/8" adjusting shims shall be provided for each bearing in addition to all other plates or shims as placed as shown on the bearing details.
 - Drilled and set anchor bolts shall be installed according to Article 521.06 of the Standard Specifications.
 - Anchor bolts at fixed bearings may be either cast in place or installed in holes drilled after the supported member is in place.

DIAPHRAGM DETAILS
 SECTION: 10-00962-00-BR
 CHAMPAIGN COUNTY
 Q STATION 10+00