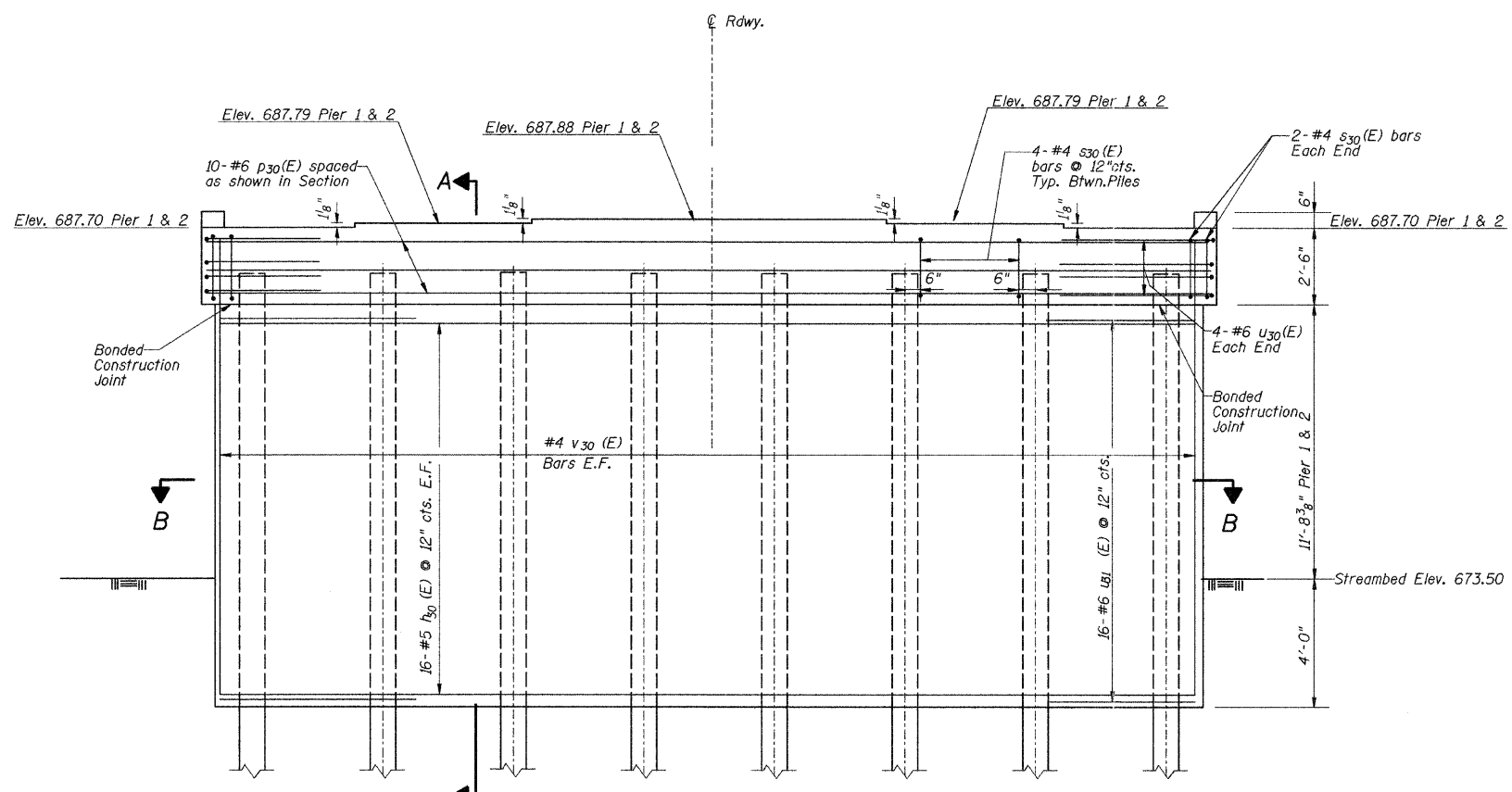
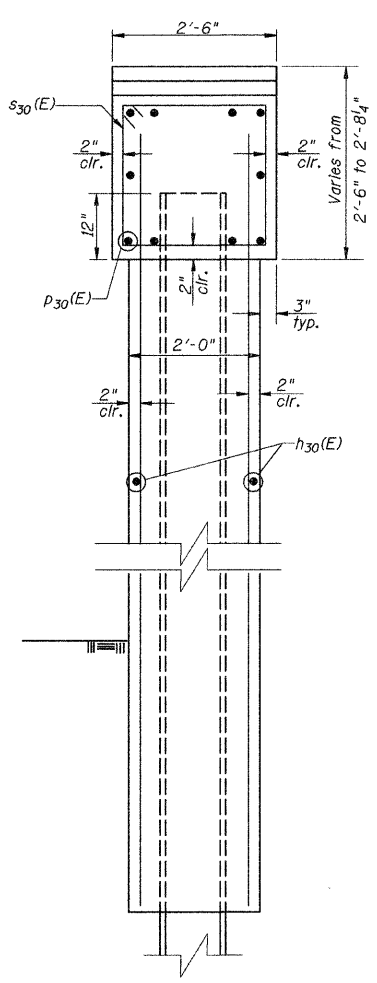


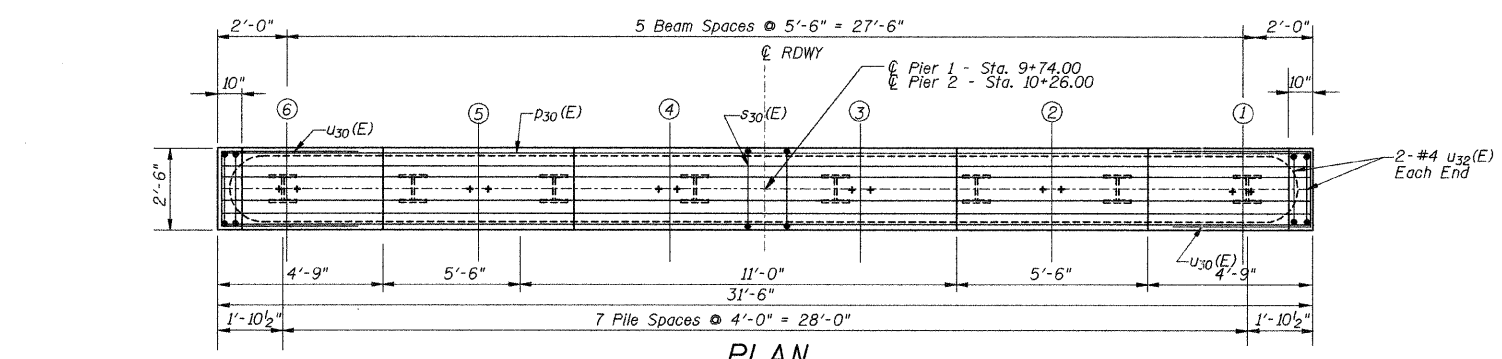
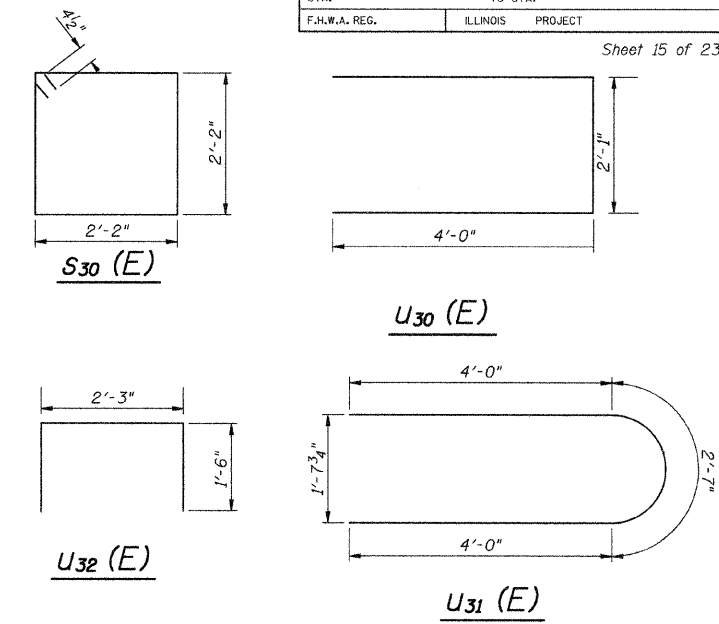
ROUTE NO.	SECTION	COUNTY	TOTAL SHEETS	SHEET NO.
C.H. II	10-00962-00-BR	CHAMPAIGN	40	23
STA.	TO STA.			
F.H.W.A. REG.	ILLINOIS	PROJECT		



**ELEVATION**  
(LOOKING WEST)

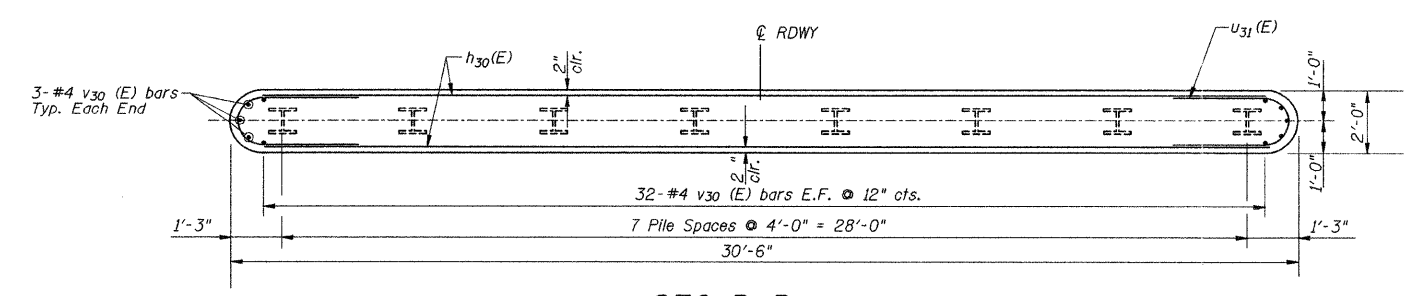


**SEC. A-A**

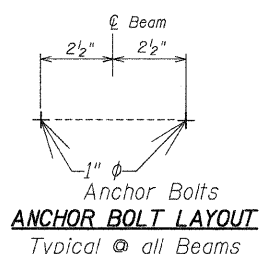


**PLAN**

Note: All edges shall have a standard 3/4" chamfer except as noted.



**SEC B-B**



**ANCHOR BOLT LAYOUT**  
Typical @ all Beams

Notes:  
If a portion of the pier wall or concrete encasement is under water, reinforcement may be placed underwater in forms. Concrete shall be tremied according to Article 503.08 of the Standard Specifications to an elevation of 1'-0" above the water line at the time of construction.

**PILE DATA**  
Type : Steel HP10X42  
Nominal Req'd Bearing : 246 kips  
Allowable Resistance Available : 82 kips  
Est. Length : 78'  
No. Required : 14  
Test Pile: 2, 1 @ Pier 1, 1 @ Pier 2

**BILL OF MATERIAL (2 PIERS)**

Bar	No.	Size	Length	Shape
h <sub>30</sub> (E)	64	#5	28'-6"	—
p <sub>30</sub> (E)	20	#6	31'-2"	—
s <sub>30</sub> (E)	64	#4	9'-5"	□
u <sub>30</sub> (E)	16	#6	10'-1"	U
u <sub>31</sub> (E)	64	#6	10'-7"	U
u <sub>32</sub> (E)	8	#4	5'-3"	□
v <sub>30</sub> (E)	140	#4	17'-9"	—
Concrete Structures				Cu. Yd. 85.3
Reinforcement Bars Epoxy Coated				Pound 6920
Furnishing Steel Piles HP 10x42				Foot 1092
Driving Piles				Foot 1092
Pile Shoes				Each 16
Structure Excavation				Cu. Yd. 62
Test Pile HP10X42				Each 2
Underwater Structure Excavation Protection - Location 1				Each 1
Underwater Structure Excavation Protection - Location 2				Each 1

**PIER DETAILS**  
SECTION: 10-00962-00-BR  
CHAMPAIGN COUNTY  
Q STATION 10+00