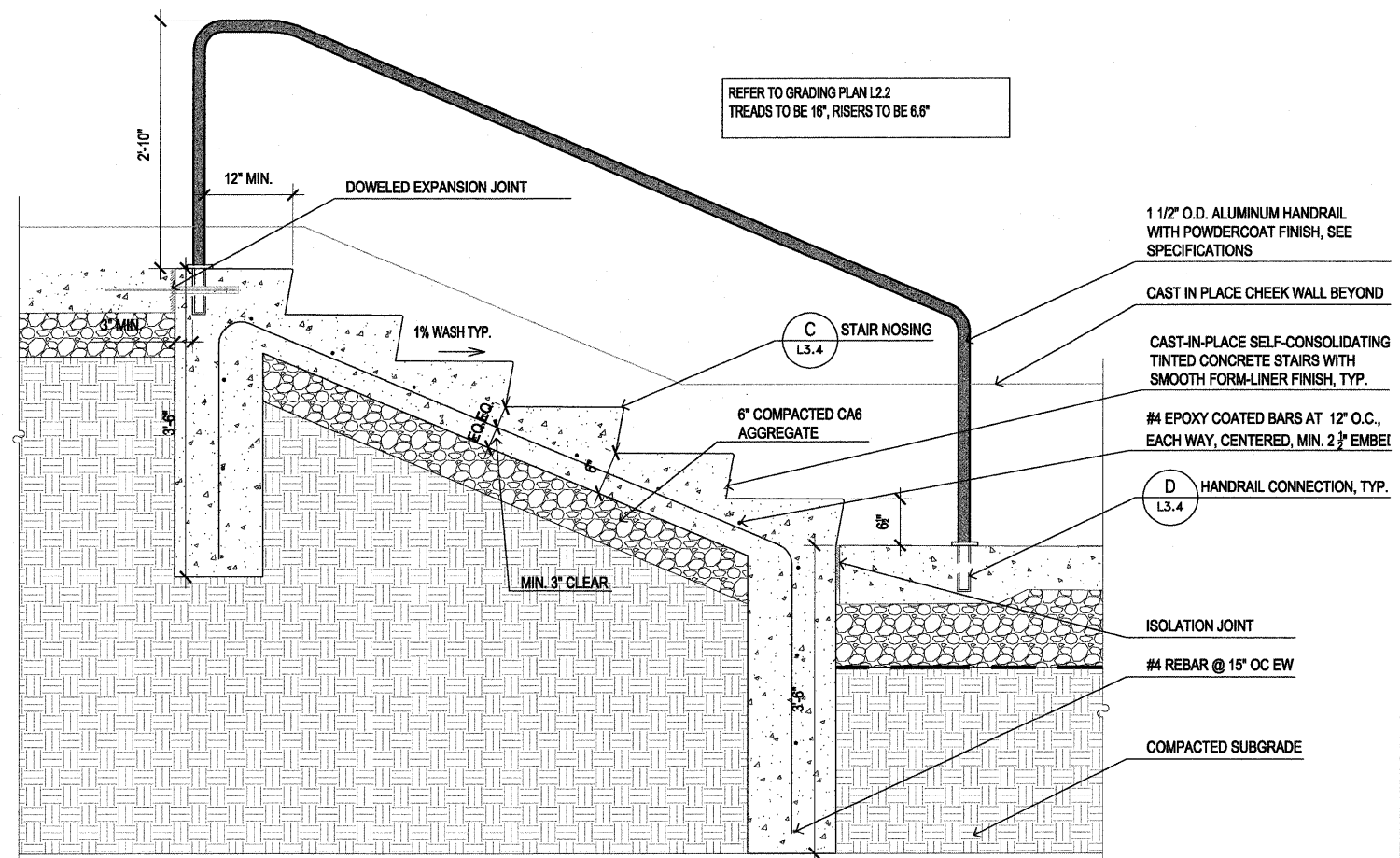
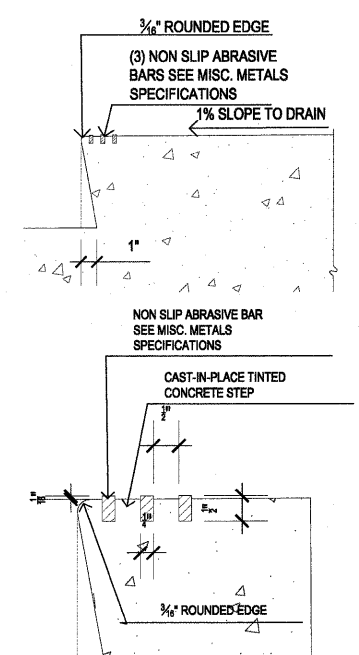


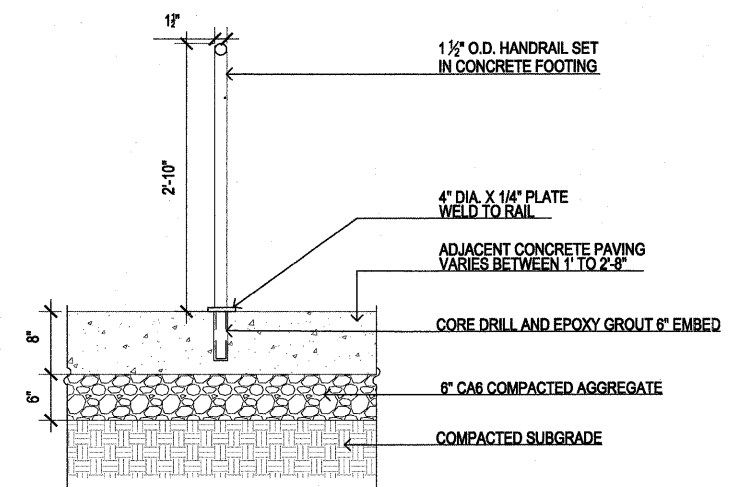
A PLAZA STAIR SECTION WITH HANDRAIL
SCALE: 1"=1'



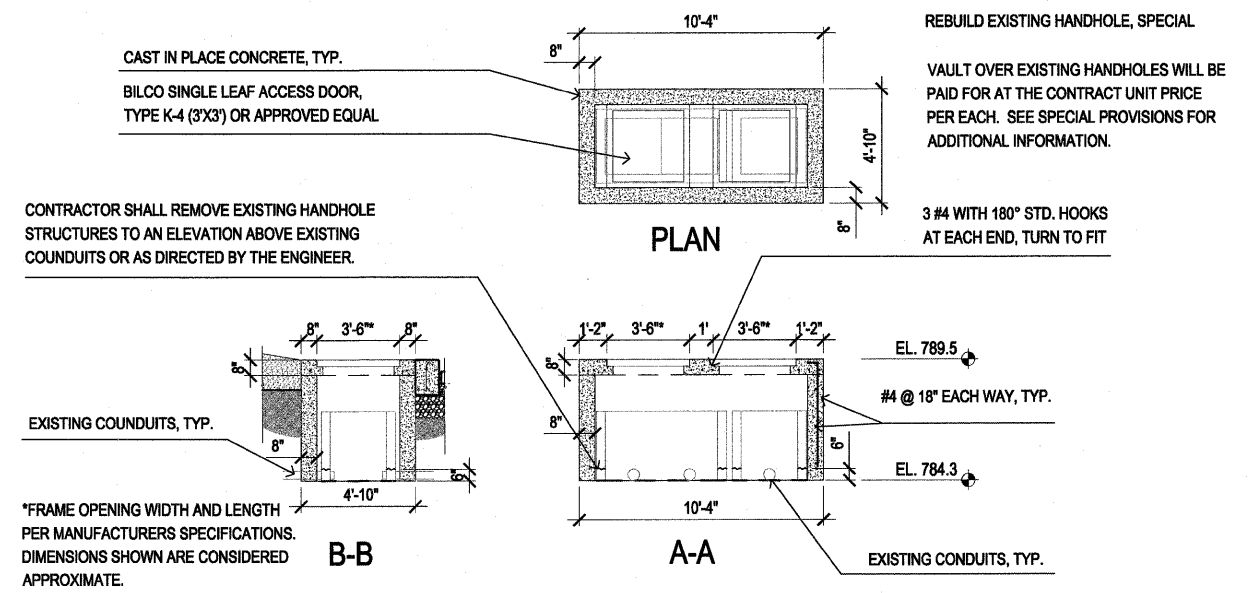
B STAIR SECTION WITH HANDRAIL
SCALE: 1"=1'



C STAIR NOSING
SCALE: 2"=1'



D FREESTANDING HANDRAIL CONCRETE CONNECTION
SCALE: 1"=1'



E VAULT OVER EXISTING UTILITY HANDHOLES
SCALE: 1/4"=1'

FILE NAME =	DESIGNED — P.L.S.	REVISED — 04-01-11	STATE OF ILLINOIS DEPARTMENT OF TRANSPORTATION	L3.4 - HARDSCAPE DETAILS		F.A.U. RTE.	SECTION	COUNTY	TOTAL SHEETS	SHEET NO.
PLOT DATE =	DRAWN — R.N.R.	REVISED — 04-22-11		SCALE : SHEET NO. 31 OF 40 SHEETS STA. TO STA.		---	10-00243-02-LS	MCLEAN	40	31
	CHECKED — J.M.B.	REVISED —							CONTRACT NO. 91461	
	DATE — 3-11	REVISED —							FED. ROAD DIST. NO. — ILLINOIS FED. AID PROJECT	