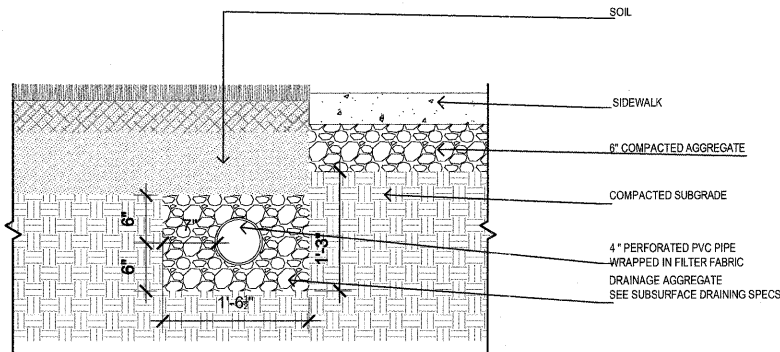
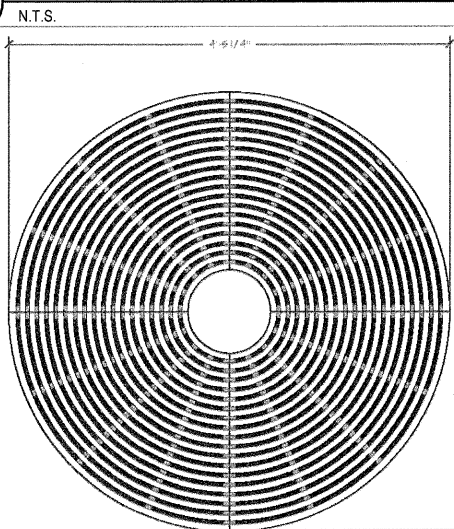


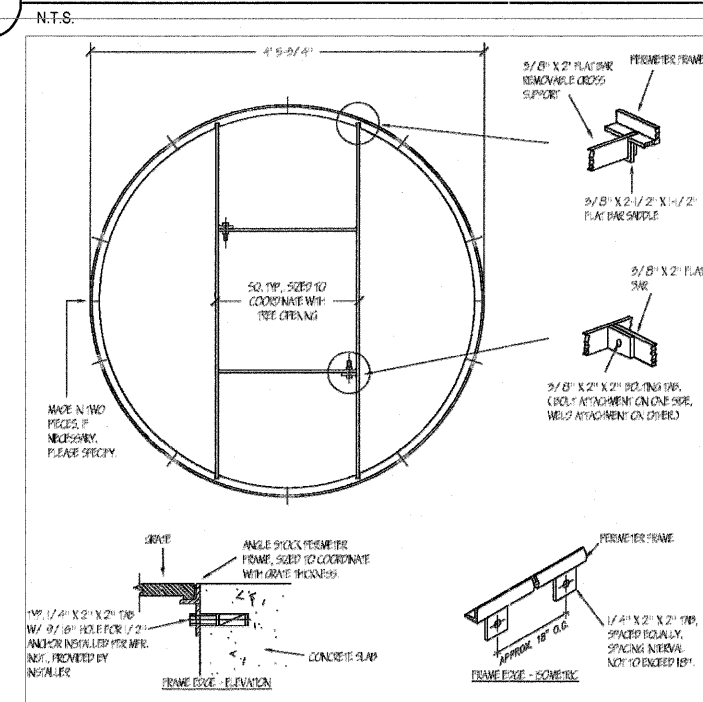
HERBACEOUS FILLER TO BE PLANTED IN NAUTRALISTIC DRIFTS THROUGHOUT PLANT MATERIAL

TRIANGULAR SPACING FOR ALL PLANT MATERIAL, TYP. SEE PLANT LIST FOR SPACING DISTANCE

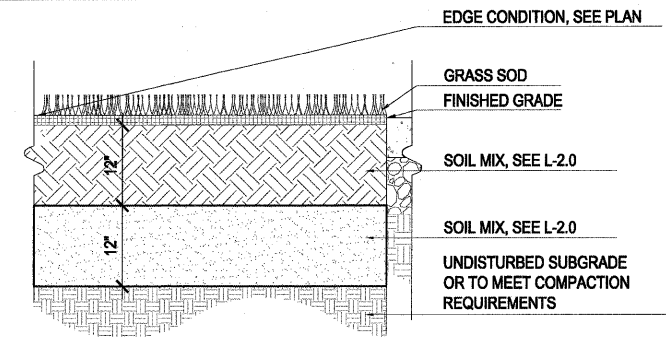
B INTERPLANTING DETAIL



D LAWN PERIMETER DRAIN



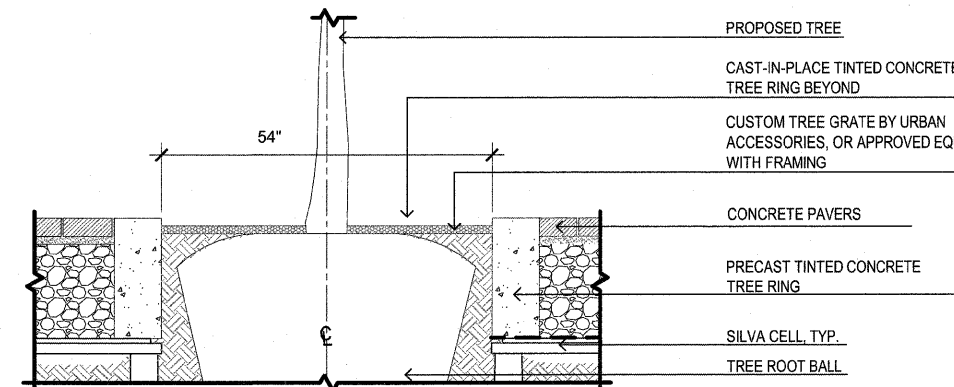
F TREE GRATE FRAMING PLAN



A TURF PLANTING

N.T.S.

"CONCRETE TREE RING WITH GRATE" WILL BE PAID FOR AT THE CONTRACT UNIT PRICE PER EACH FOR "TREE GRATE ASSEMBLY, COMPLETE". SEE SPECIAL PROVISIONS FOR ADDITIONAL INFORMATION.



E TREE GRATE IN PRECAST TREE RING

N.T.S.

NOTES:

- FOR ALL SOIL PLACEMENT REFER TO SHEETS L2.0 & L2.1
- EVERGREEN & DECIDUOUS TREES:
 - TREES SHALL BEAR SAME RELATION TO FINISHED GRADE AS THEY DID TO PREVIOUSLY EXISTING GRADE ON SITE OR IN NURSERY.
 - DO NOT ALLOW AIR POCKETS TO FORM IN SOIL WHEN BACKFILLING.
 - TREE STAKING/GUYING SHOULD BE REVIEWED WITH LANDSCAPE ARCHITECT WHEN CONTRACTOR DEEMS IT NECESSARY.
 - ROOT FLARE OF TREE TO BE SET NO MORE THAN 3" ABOVE FINISHED GRADE IN BORDERS & MASS PLANTINGS.
 - TREES PLANTED WITHIN OR ADJACENT TO PAVING SHALL BE PLANTED WITH ROOT FLARE NO MORE THAN 1" ABOVE ADJACENT GRADE.
 - EVERGREEN TREES WITH TIGHTLY SHEARED FORM WILL BE REJECTED.
 - IF PITS ARE MACHINE EXCAVATED, & GLAZING IS PRONOUNCED, ALL SIDES OF PIT ARE TO BE SCARIFIED.
 - SOAK PLANTS WITH WATER IMMEDIATELY AFTER INSTALLATION.

SHRUBS:

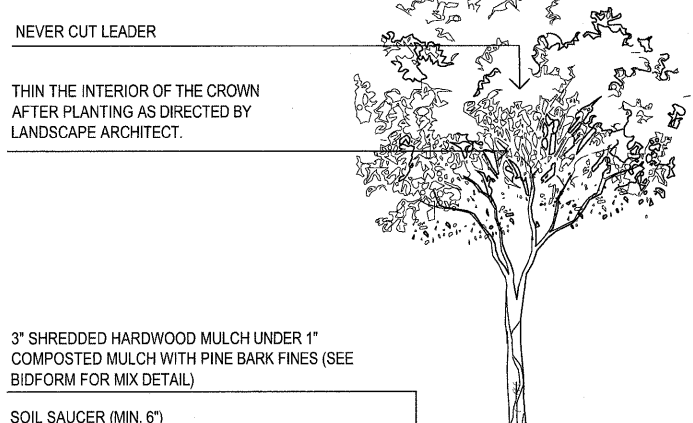
- DO NOT ALLOW AIR POCKETS TO FORM IN SOIL WHILE BACKFILLING.
- SOAK PLANTS WITH WATER IMMEDIATELY AFTER INSTALLATION.
- DO NOT BREAK ROOTBALL.
- IF B&B MATERIAL, REMOVE BURLAP & STRING FROM AROUND TOP 1/3 OF ROOTBALL. IF CONTAINERIZED, LOOSEN ROOT MASS SIGNIFICANTLY BY HAND OR CUT ROOT MASS VERTICALLY WITH KNIFE ON 4 SIDES TO A DEPTH OF 1" & CUT BOTTOM OF ROOT MASS IN SAME MANNER IN AN 'X' PATTERN.

PERENNIALS & GROUNDCOVER:

- DO NOT ALLOW AIR POCKETS TO FORM IN SOIL WHILE BACKFILLING.
- SOAK PLANTS IMMEDIATELY WITH WATER AFTER INSTALLATION.
- LOOSEN ROOT MASS SIGNIFICANTLY BY HAND OR CUT ROOT MASS VERTICALLY WITH KNIFE ON 4 SIDES TO A DEPTH OF 1" & CUT BOTTOM OF ROOT MASS IN SAME MANNER IN AN 'X' PATTERN.
- PLANT APPROXIMATELY 1" ABOVE PLANTING MEDIA TO ALLOW FOR TYPICAL DRESSING OF MULCH.
- SOAK PLANTS WITH WATER IMMEDIATELY AFTER INSTALLATION.

F TREE GRATE DETAIL PLAN

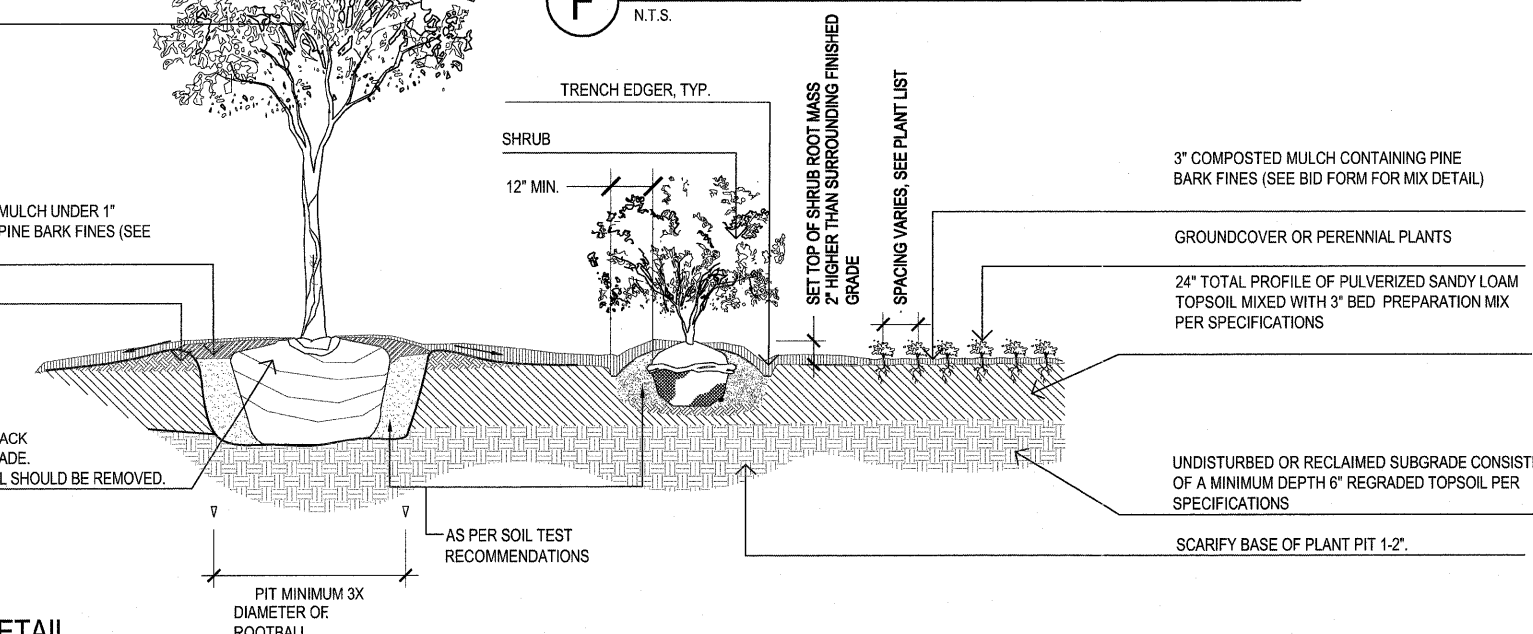
N.T.S.



3" SHREDDED HARDWOOD MULCH UNDER 1" COMPOSTED MULCH WITH PINE BARK FINES (SEE BIDFORM FOR MIX DETAIL)

SOIL SAUCER (MIN. 6")

AFTER FINAL APPROVAL OF TREE LOCATIONS: ROPES AT TOP OF BALL SHALL BE CUT; REMOVE BURLAP FROM TOP 1/3 OF ROOTBALL. WIRE CAGE TO BE CUT BACK A MINIMUM OF 12" BELOW FINISH GRADE. ALL NON-BIODEGRADABLE MATERIAL SHOULD BE REMOVED.



C PLANTING DETAIL

FILE NAME =	DESIGNED — P.L.S.	REVISED — 04-01-11
PLOT DATE =	DRAWN — R.N.R.	REVISED — 04-22-11
	CHECKED — J.M.B.	REVISED —
	DATE — 3-11	REVISED —

STATE OF ILLINOIS	DESIGNED — P.L.S.	REVISED — 04-01-11
DEPARTMENT OF TRANSPORTATION	DRAWN — R.N.R.	REVISED — 04-22-11
	CHECKED — J.M.B.	REVISED —
	DATE — 3-11	REVISED —

STATE OF ILLINOIS
DEPARTMENT OF TRANSPORTATION

L4.3 - LANDSCAPE DETAILS

F.A.U. RTE.	SECTION	COUNTY	TOTAL SHEETS	SHEET NO.
---	10-00243-02-LS	MCLEAN	40	36
CONTRACT NO. 91461				
FED. ROAD DIST. NO. -- [ILLINOIS] FED. AID PROJECT				