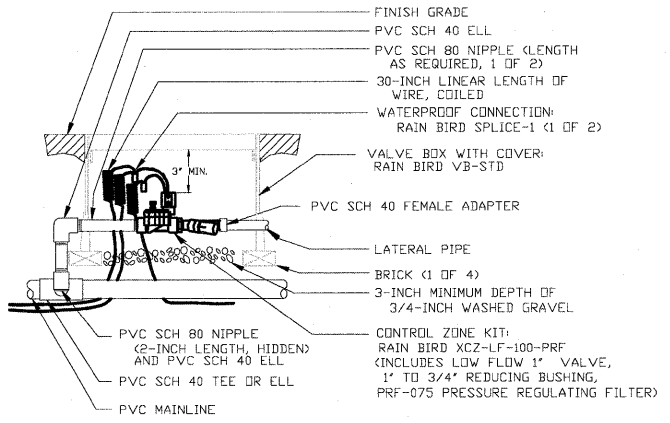
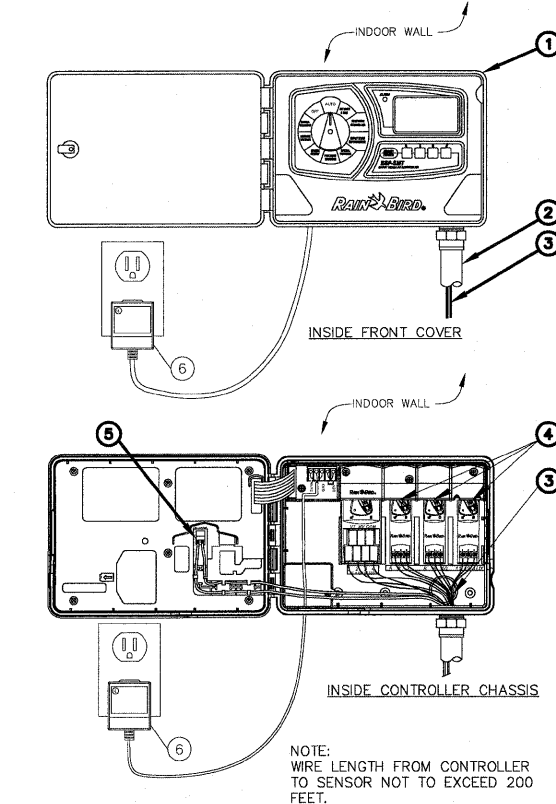


D QUICK COUPLER VALVE N.T.S. MODEL 5RC SERIES 1-82-04

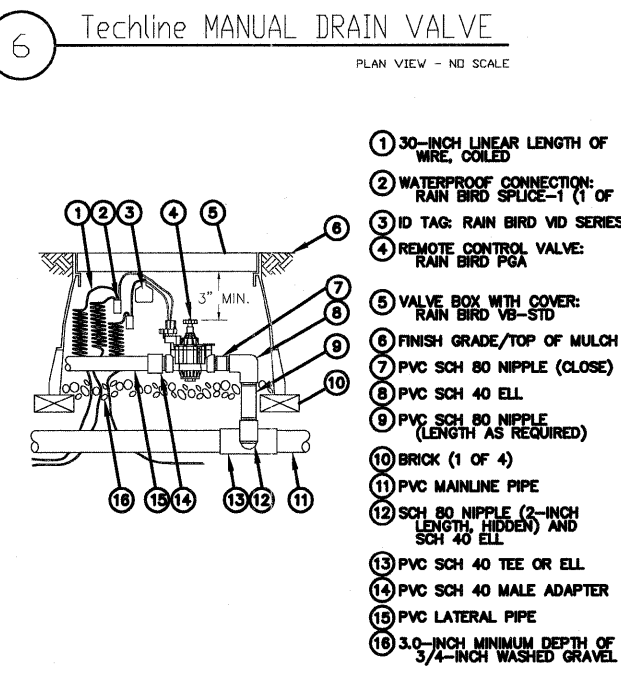
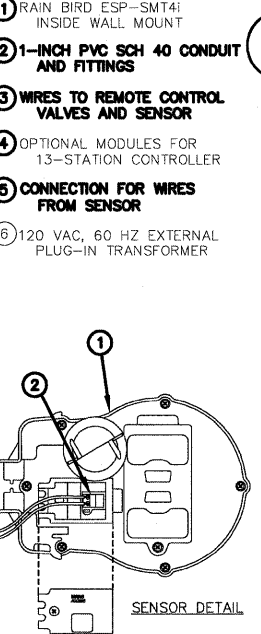


NOTES:
 1. TO REPLACE INLINE WYE FILTERS, USE REPLACEMENT FILTER ELEMENTS RAIN BIRD MODELS RBY-150MX OR RBY-200MX.

D 1" LOW FLOW CONTROL ZONE KIT WITH 3/4" PRESSURE REGULATING FILTER N.T.S. XCZ-LF-100-PRF 3-90-06



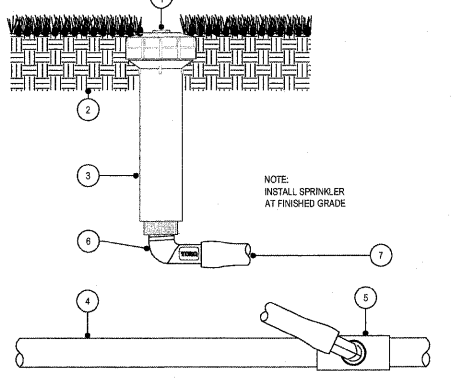
D ESP-SMT SMART CONTROL SYSTEM N.T.S. (INDOOR) 8-82-08



D ELECTRIC REMOTE-CONTROL VALVE N.T.S. PGA SERIES 1-82-04

LEGEND

- SEE PLAN FOR NOZZLES
- APPROVED BACKFILL
- TORO 570Z-4P SPRINKLER
- LATERAL PIPE
- THREADED LATERAL TEE (OR ELL)
- BARBED MALE ELL
- TORO SUPER FUNNY PIPE



NOTES:
 1. INSTALLATION TO BE COMPLETED IN ACCORDANCE WITH MANUFACTURERS SPECIFICATIONS.
 2. DO NOT SCALE DRAWINGS.
 3. CONTRACTORS NOTE: FOR PRODUCT AND COMPANY INFORMATION VISIT WWW.CADDDETAILS.COM/INTL REFERENCE NUMBER 065-12a.

570Z SERIES
 4 INCH POP-UP (FUNNY PIPE)

----- Mainline (1.25" Class 200 PVC)
 ----- Laterals (Class 160 or 200 PVC); sized as shown on plan.
 ----- Netafim Techline CV Drip Tubing #TLCV4-18xx (.4 gph emitter/18" emitter spacing)
 ----- Sleeves (2" Sch. 40 PVC)

W Flint & Walling Submersible Pump in Clearwater Solutions prefabricated Wet Well
C Controller: Toro Intellisense (#TIS-06-0D) Weathermatic Smartline (#SL1600) Rainbird ESP-SMT (#ESP-SMT4)
PC Pump Control and Pressure Tank
 ⊗ Line-size brass ball valves (Matco-Norca #759T06), in valve boxes.
 ▷ Quick Coupling Valves: Toro #474-00 Rainbird #5RC on swing joints, in valve boxes.
 ⊕ Electric Control Valves: Toro #254-06-04 Weathermatic #12024EF-10 Irritrol #2500TF Rainbird #100-PGA
 ■ Rainbird Drip Zone kit #XCZ-LF-100-PRF
 ◇ Netafim Manual Flush Valve #TLSOV
 ▼ ▼ ▼ MP Rotator nozzle on Spray Head body
 ▼ ▼ ▼ Contractor is responsible for the appropriate nozzle selection and arc adjustment to provide 100% coverage of the conditions as they exist on site and to minimize overspray onto unwatered areas.
 # # # Top = Zone/Controller station assignment Bottom Left = Size of valve Bottom Right = Gallons per minute for that zone

Legend