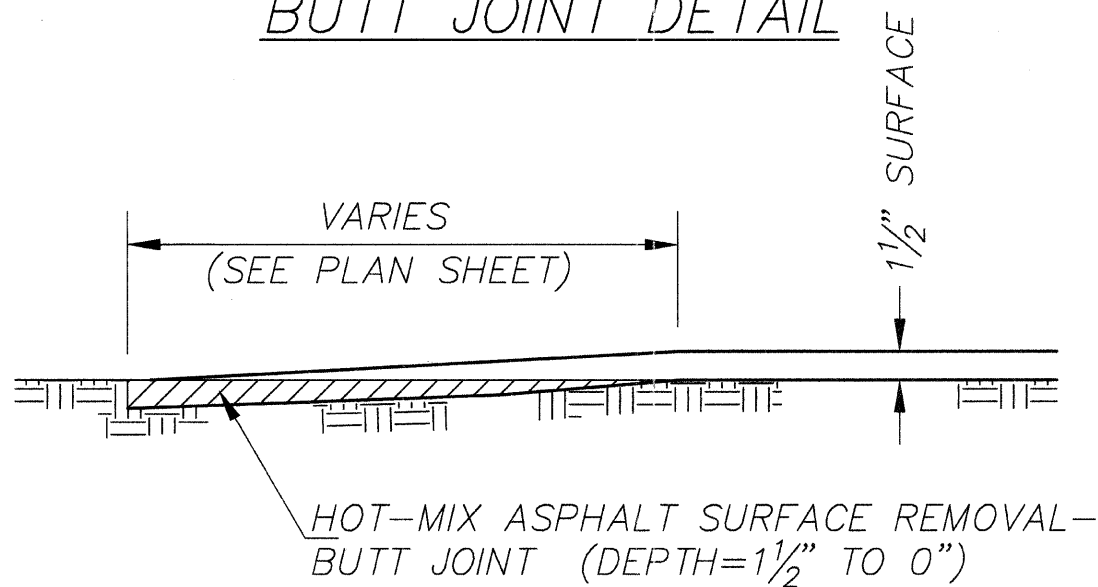


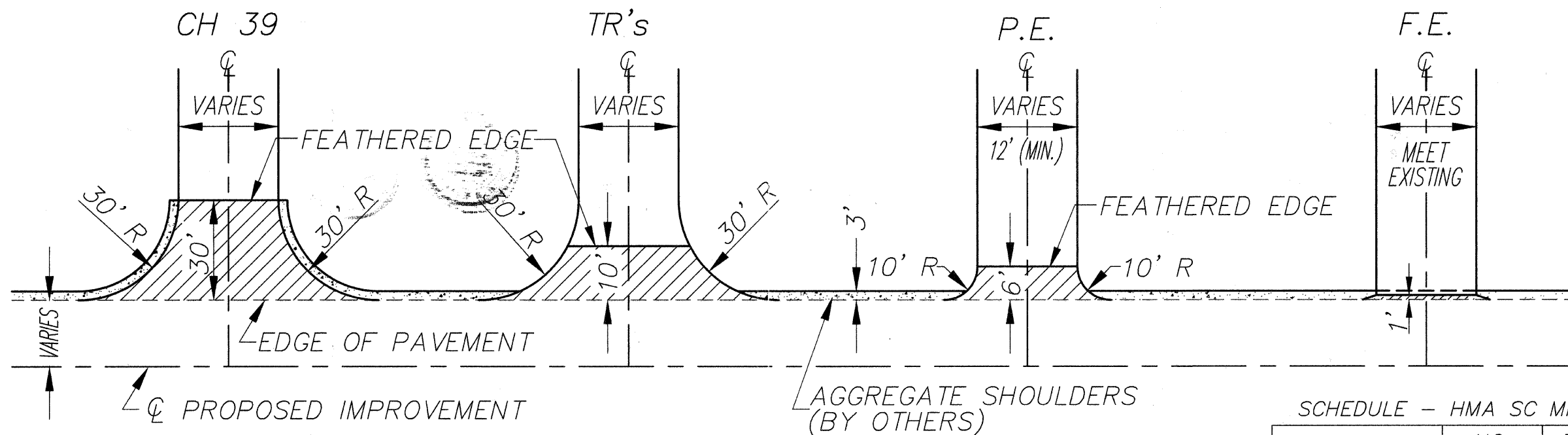
COUNTY	ROUTE	SECTION	TOTAL SHEETS	SHEET NO.
ADAMS	FAS 432	11-00206-01-RS	11	11.
BUTT JOINT DETAIL				
SIDE ROAD & ENTRANCE DETAILS				
PROJECT NO. RS-0432(125)				

BUTT JOINT DETAIL



INTERSECTION DETAILS

ENTRANCE DETAILS



SCHEDULE - HMA SC MIX "C" N50

	NO.	TONS/	TONS
PE	4	2	8
FE	12	0.2	3
MINOR ROAD	2	9	18
MAJOR ROAD	1	15	15
MAILBOXES	2	3	6
TOTAL			50

