

GENERAL NOTES:

THIS SECTION SHALL BE CONSTRUCTED IN ACCORDANCE WITH THE PLANS, SPECIAL PROVISIONS AND "STANDARD SPECIFICATIONS FOR ROAD AND BRIDGE CONSTRUCTION", ADOPTED JANUARY 1, 2007.

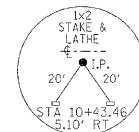
THE WORK INVOLVED ON THIS SECTION CONSISTS OF THE REMOVAL OF THE EXISTING STRUCTURE, THE CONSTRUCTION OF A 55 FOOT LONG SINGLE SPAN PRECAST PRESTRESSED CONCRETE DECK BEAM BRIDGE, EARTH APPROACHES, AGGREGATE SURFACE COURSE AND OTHER MISCELLANEOUS ITEMS NECESSARY TO COMPLETE THIS SECTION.

ALL ELEVATIONS ARE BASED ON U.S.G.S. MEAN SEA LEVEL DATUM.

IT SHALL BE THE CONTRACTOR'S RESPONSIBILITY TO CONTACT ALL THE UTILITIES, AFFECTING THE PROJECT, PRIOR TO CONSTRUCTION.

THE QUANTITY SHOWN IN THE SUMMARY OF QUANTITIES FOR STONE DUMPED RIPRAP, CLASS A4 ALLOWS 153 TONS FOR THE SOUTHWEST ROADSIDE DITCH AND 300 TONS FOR THE BRIDGE.

NOTE: CONSTRUCTION TRANSITIONS
 STA. 2+50 TO STA. 3+00
 STA. 7+00 TO STA. 7+50
 ALL QUANTITIES ARE INCLUDED IN THE PROPOSAL



P.I. STA= 5+38.93
 $\Delta = 00^{\circ}17'36''$ LT

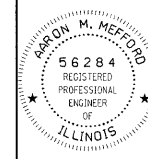
T.R.	SECTION	COUNTY	TOTAL SHEETS	SHEET NO.
122	09-05109-00-BR	EDWARDS	13	2
FED. ROAD DIST. NO. 7 ILLINOIS		DRAINAGE DITCH		
PROJECT # BR08-0470341		CONTRACT # 95652		
LEC JOB # H01005D				

323 W. 3RD ST.
 P.O. BOX 160
 MT. CARMEL, IL
 62863
 PHONE:
 (618)-262-8651
 FAX:
 (618)-263-3327

405 W. STATE ST
 SUITE 1
 PRINCETON, IN
 47670
 PHONE:
 (812)-386-7611
 FAX:
 (812)-385-2812



PROFESSIONAL DESIGN FIRM
 LAND SURVEY &
 PROFESSIONAL ENGINEERING
 CORPORATION
 184-00987
 (82-032435)(35-002769)



AARON M. MEFFORD
 NAME
 SIGNATURE
 DATE
 4-13-11
 11-30-11 EXPIRES

DRAINAGE DITCH
 TOWNSHIP ROUTE 122
 EDWARDS COUNTY, ILLINOIS

SHEET TITLE:

PLAN & PROFILE

SCALE: VARS

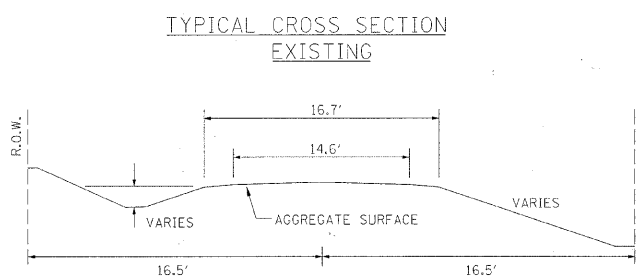
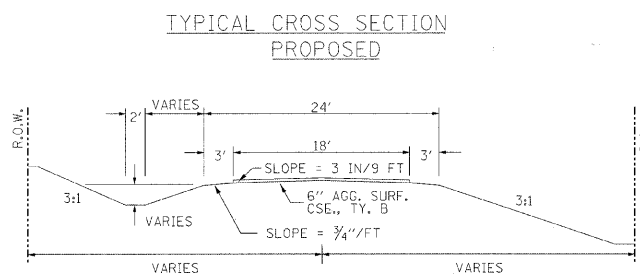
BY: AMM

DATE: 4/11

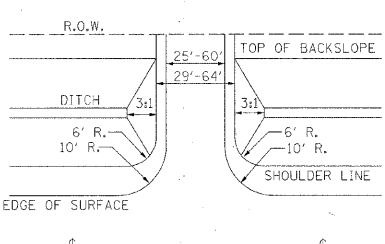
REV:

2 OF 13 SHEETS

SHEET NO.
 2



FIELD ENTRANCE DETAIL



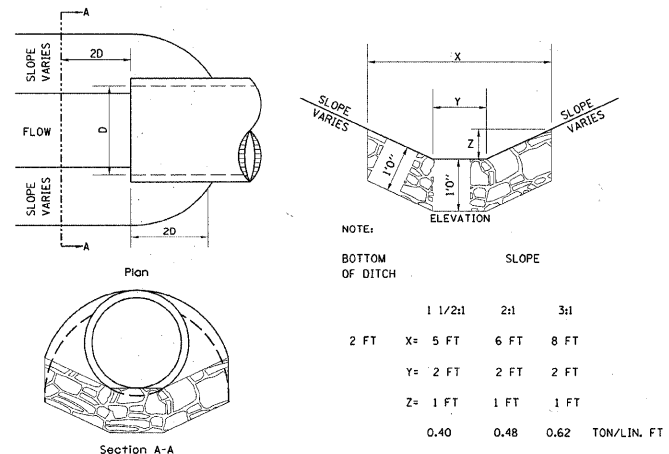
UTILITIES:
 J.U.L.I.E. 1-800-892-0123

NOTE: CONSTRUCT SPECIAL DITCH
 STA 2+75 TO STA 4+30 LT
 STA 2+50 TO STA 3+94.3 RT
 STA 6+15 TO STA 7+50 LT
 STA 6+00 TO STA 7+50 RT

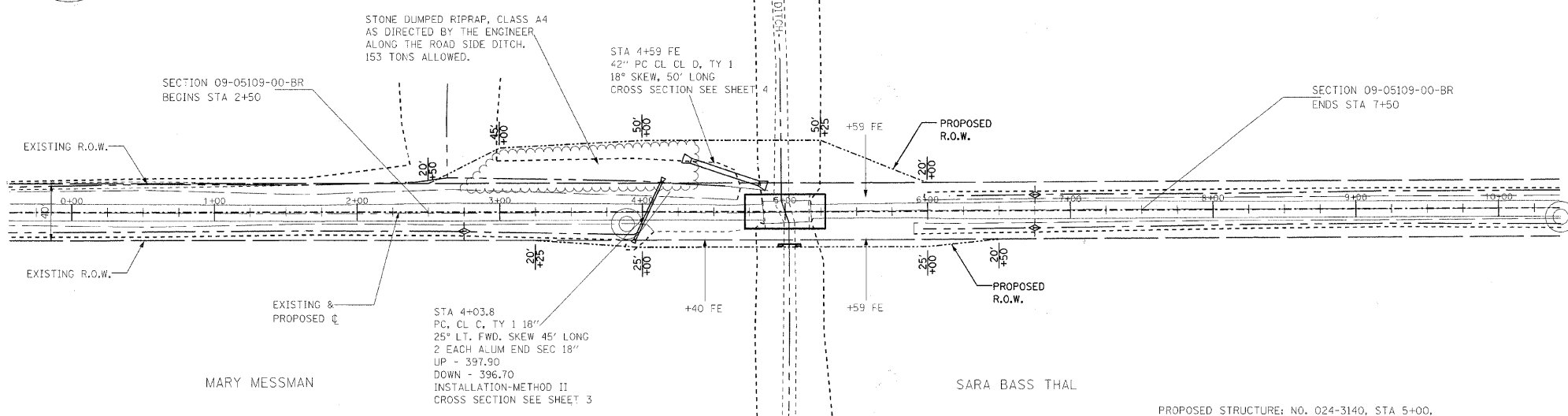
NOTE: CONSTRUCT STONE LINED DITCH
 STA 3+50 TO STA 3+94.3 RT (0.62 TON/LIN FT)
 27 TON STONE LINED DITCH ALLOWED IN PROPOSAL.

SEE STONE LINED DITCH DETAIL.

STONE LINED DITCH DESIGN



NOTE: FOR PLACEMENT, QUALITY GRADATION AND OTHER MISCELLANEOUS REQUIREMENTS FOR STONE LINED DITCH-SEE SPECIAL PROVISIONS.

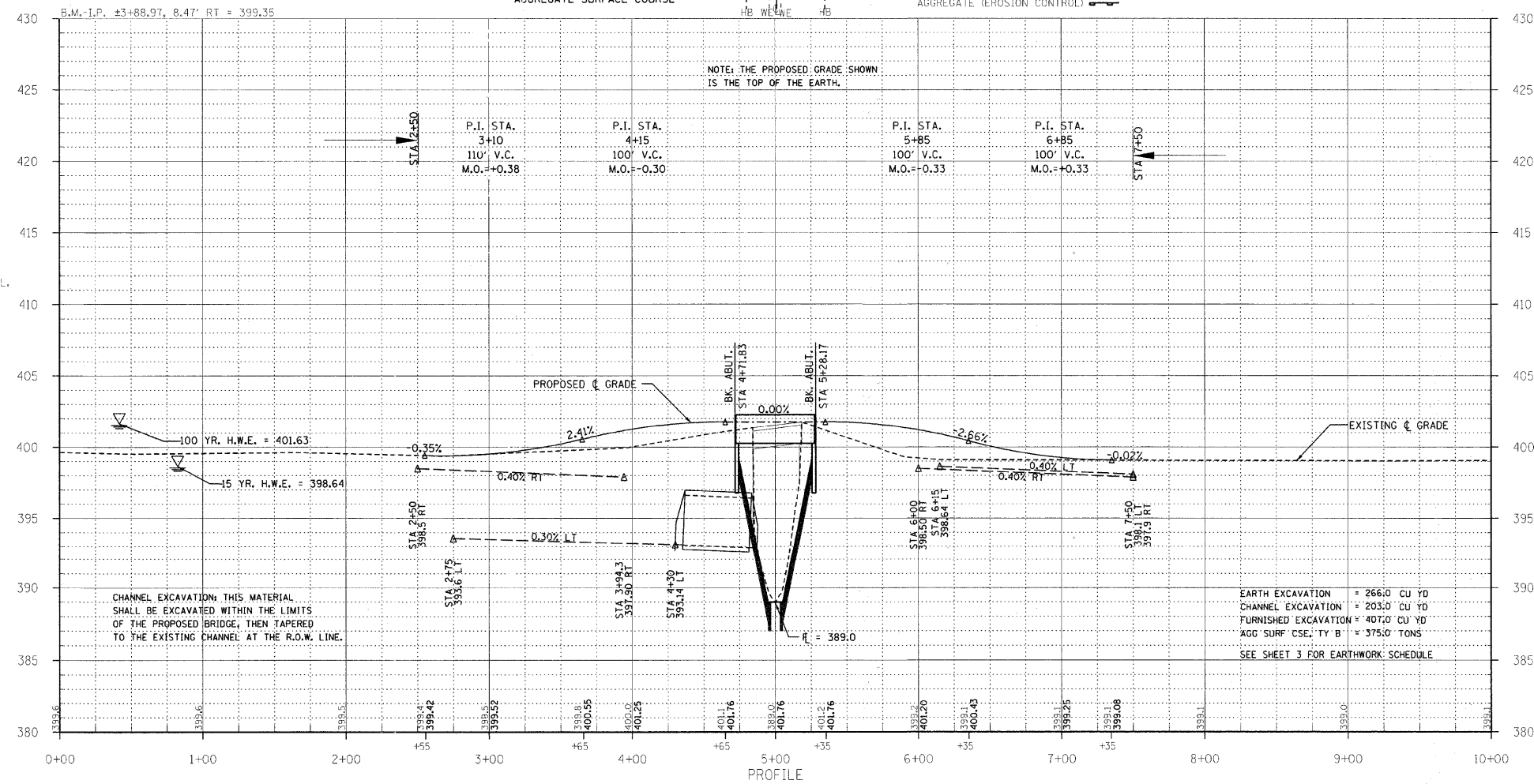


EXISTING BRIDGE STA 5+01.4; STRUCTURE NUMBER: 024-3052
 A 32.7' LONG SINGLE SPAN BRIDGE WITH 3" WOOD DECK ON
 2-15" C-CHANNELS AND 5-15" I-BEAMS WITH 14-6"x3" H-PILE,
 STEEL PLATE MUD WALLS AND CORRUGATED METAL WINDWALLS.

ONE (1) EACH-REMOVAL OF EXISTING STRUCTURES ALLOWED IN THIS PROPOSAL.

NOTE: FILL NEXT TO BRIDGE TO BE AGGREGATE SURFACE COURSE

TEMPORARY DITCH CHECKS
 21.0 FOOT TEMPORARY DITCH CHECKS
 9.0 TONS AGGREGATE (EROSION CONTROL)
 0.4 ACRES SEEDING, CLASS 2 SPECIAL REQUIRED



CHANNEL EXCAVATION: THIS MATERIAL SHALL BE EXCAVATED WITHIN THE LIMITS OF THE PROPOSED BRIDGE, THEN TAPERED TO THE EXISTING CHANNEL AT THE R.O.W. LINE.

EARTH EXCAVATION = 266.0 CU YD
 CHANNEL EXCAVATION = 203.0 CU YD
 FURNISHED EXCAVATION = 407.0 CU YD
 AGG SURF CSE, TY B = 375.0 TONS
 SEE SHEET 3 FOR EARTHWORK SCHEDULE