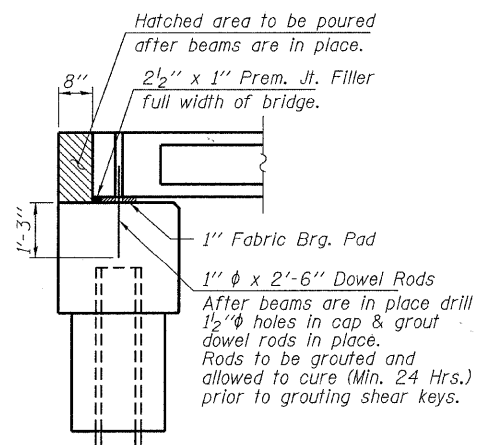
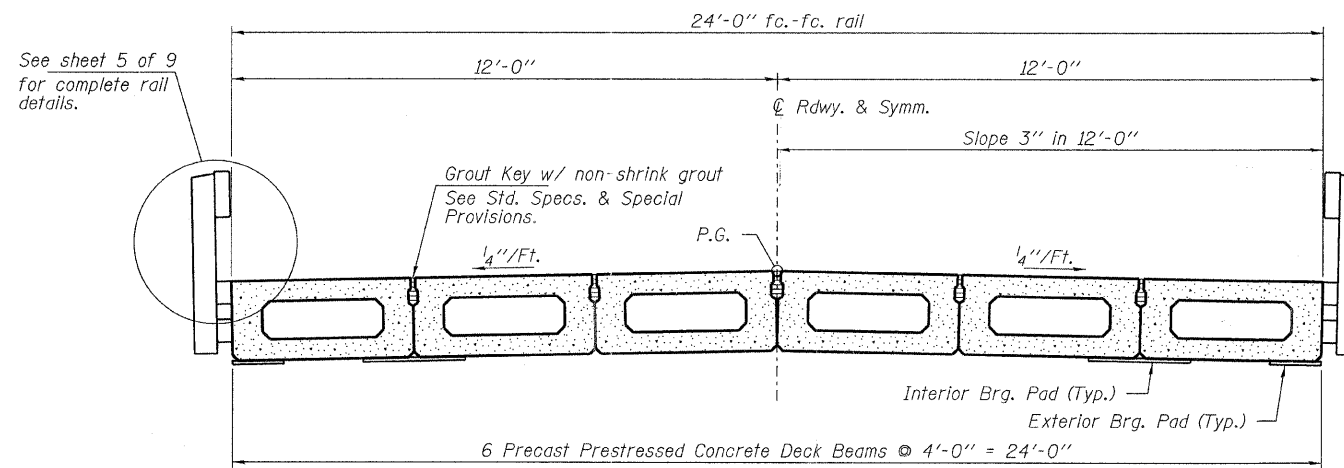


DETAIL A



SECTION AT ABUTMENTS
© Rt. L's

FILE NAME = 100060-shr-bridge.dgn	USER NAME =	DESIGNED - A.S.L.	REVISED -	STATE OF ILLINOIS EDWARDS COUNTY HIGHWAY DEPARTMENT	SUPERSTRUCTURE DETAILS STRUCTURE NO. 024-3140	T.R.	SECTION	COUNTY	TOTAL SHEETS	SHEET NO.	
HAMPTON, LENZINI AND RENWICK, INC. 3300 STEVENSON DRIVE, SUITE 207 SPRINGFIELD, ILLINOIS 62703	PLOT SCALE =	CHECKED - D.W.T.	REVISED -			122	09-05109-00-BR	EDWARDS	13	8	
HLR ILLINOIS PROFESSIONAL DESIGN FIRM L.S./P.E./S.E. CORP. 184.000000	PLOT DATE = 4/12/2011	DRAWN - D.A.B.	REVISED -			ROAD DISTRICT #5		CONTRACT NO. 95652		ILLINOIS FED. AID PROJECT	
		CHECKED - S.W.M.	REVISED -			SHEET NO. 4 OF 9 SHEETS					