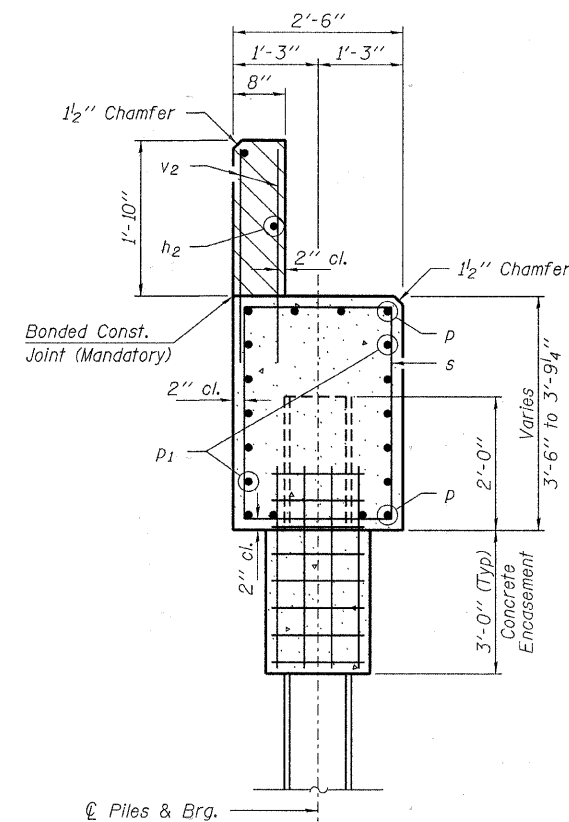
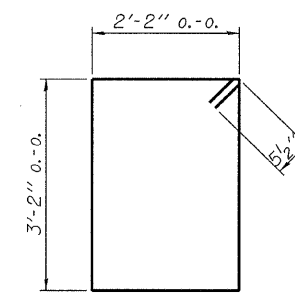


PLAN

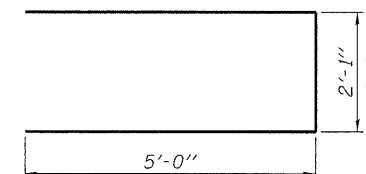


SECTION A-A

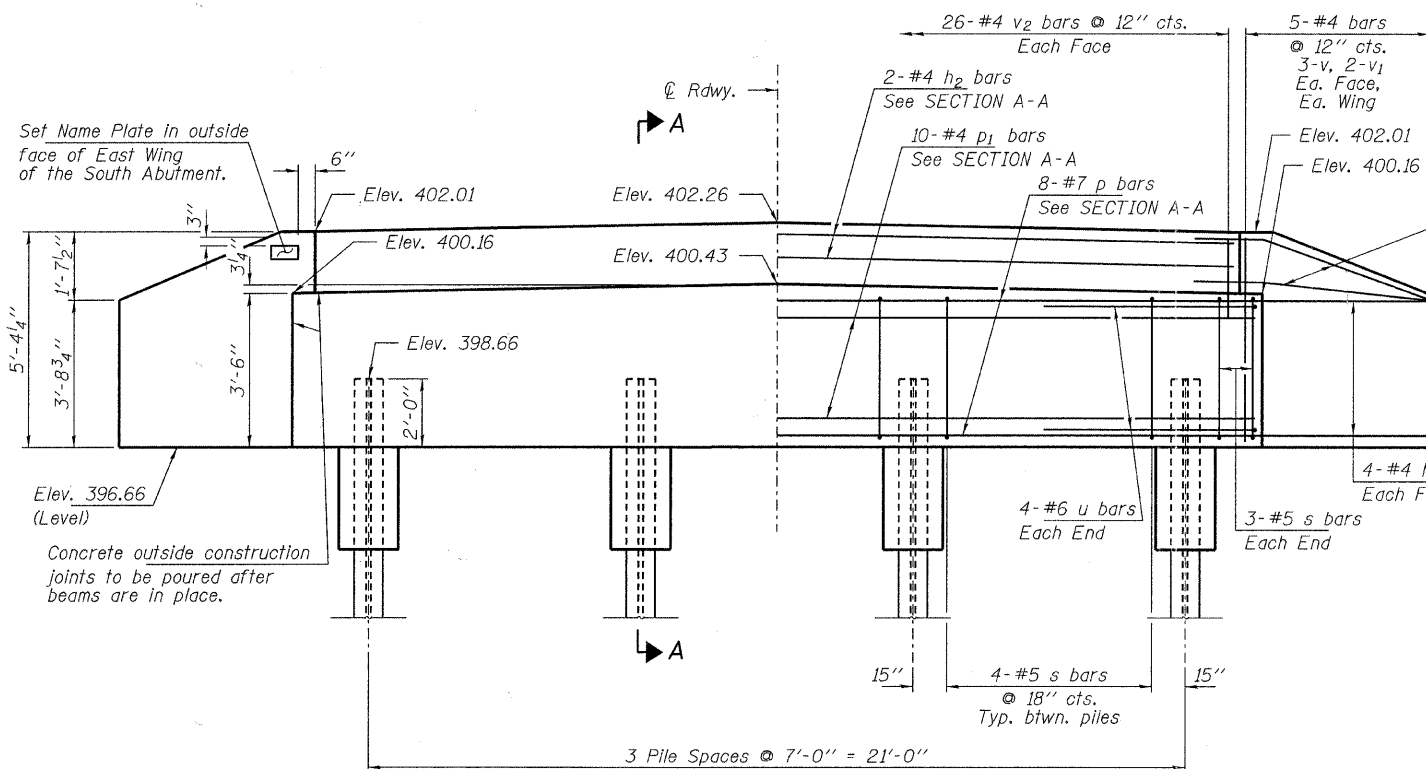
Hatched area to be poured after beams are in place.



BAR s



BAR u



ELEVATION

Note: Extend h bars into abutment cap.

Fan 2-#4 h bars (B.F.)
Fan 2-#4 h1 bars (F.F.)
Each Wing
Bend in field.

PILE DATA

Type ----- Steel HP10x42
No. Req'd. (2 Abutments) ----- *8
Factored Resistance Available (Rf) ----- 156 Kips/Pile
Nominal Required Bearing (Rn) ----- 312 Kips/Pile
Est. Length ----- 55 Ft/Pile - N. Abut.
50 Ft/Pile - S. Abut.

Notes: * Includes one test pile to be driven in permanent location at the North Abutment.

The Steel H-Piles shall be according to AASHTO M270 Grade 50.

The test piles shall be driven to 110 percent of the Nominal Required Bearing Indicated in the pile data information.

BILL OF MATERIAL - 2 ABUTS.

BAR	NO.	SIZE	LENGTH	SHAPE
h	40	#4	5'-6"	—
h1	8	#4	4'-0"	—
h2	4	#4	25'-2"	—
p	16	#7	25'-2"	—
p1	20	#4	25'-2"	—
s	36	#5	11'-7"	□
u	16	#6	12'-1"	—
v	24	#4	4'-6"	—
v1	16	#4	3'-6"	—
v2	104	#4	2'-8"	—
Concrete Structures			Cu. Yd.	22.0
Concrete Encasement			Cu. Yd.	2.8
Reinforcement Bars			Pound	2,420
Steel Piles HP10x42			Foot	365
Test Pile HP10x42			Each	1
Name Plates			Each	1

FILE NAME = 100060-shr-bridge.dgn
 USER NAME =
 DESIGNED - A.S.L.
 CHECKED - D.W.T.
 DRAWN - D.A.B.
 CHECKED - S.W.M.
 PLOT SCALE =
 PLOT DATE = 4/12/2011

DESIGNED - A.S.L.
 CHECKED - D.W.T.
 DRAWN - D.A.B.
 CHECKED - S.W.M.
 REVISED -
 REVISED -
 REVISED -
 REVISED -

STATE OF ILLINOIS
 EDWARDS COUNTY HIGHWAY DEPARTMENT

ABUTMENTS
 STRUCTURE NO. 024-3140

SHEET NO. 6 OF 9 SHEETS

T.R.	SECTION	COUNTY	TOTAL SHEETS	SHEET NO.
122	09-05109-00-BR	EDWARDS	13	10
ROAD DISTRICT #5			CONTRACT NO. 95652	
ILLINOIS FED. AID PROJECT				

HAMPTON, LENZINI AND RENWICK, INC.
 2525 STEVENSON DRIVE, SUITE 201
 SPRINGFIELD, ILLINOIS 62703
 ILLINOIS PROFESSIONAL DESIGN FIRM
 LE 1/PE 1/EE CORP. 184-000090