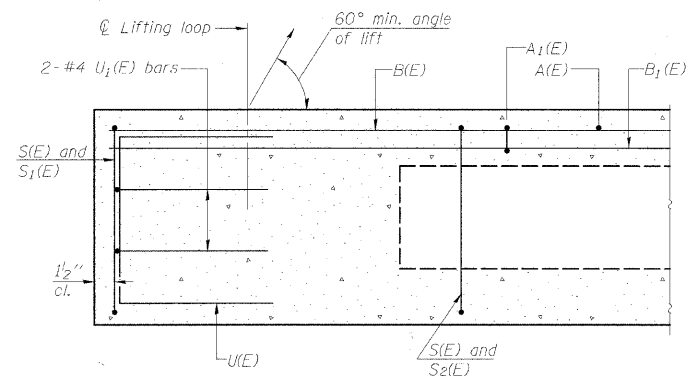
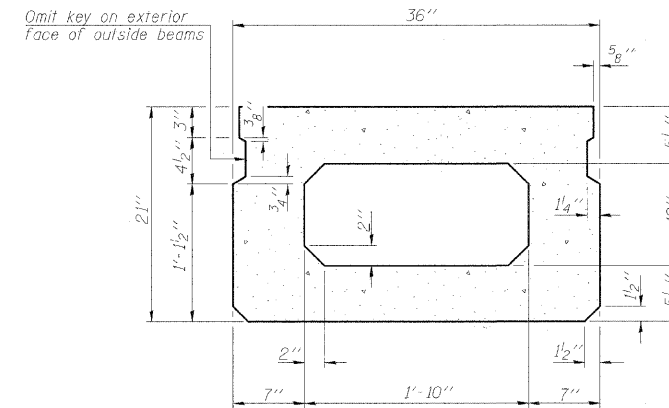


ROUTE NO.	SECTION	COUNTY	TOTAL SHEETS	SHEET NO.
C.H. 7	05-00204-00-BR	MACON	21	13
FED. ROAD DIST. NO.		ILLINOIS PROJECT:		

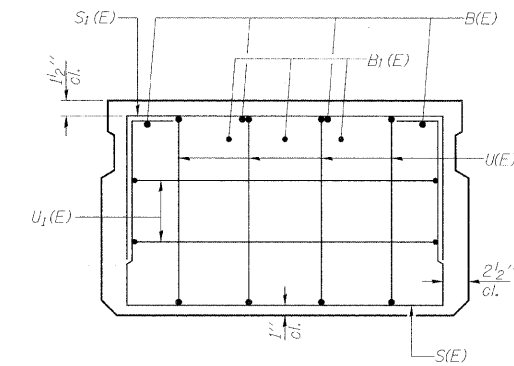
CONTRACT NO. 95658



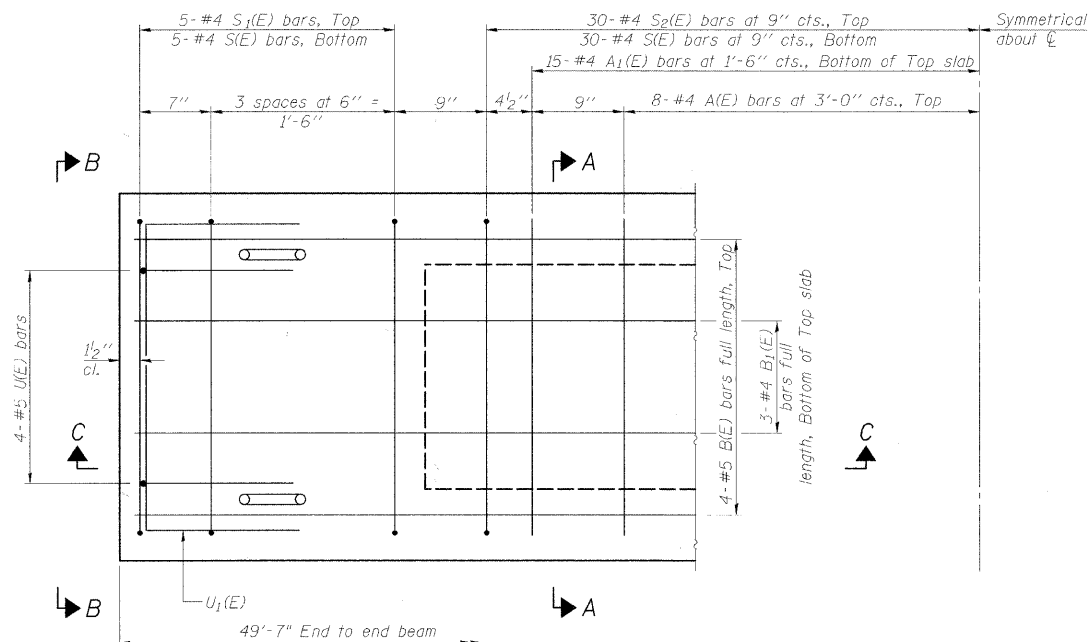
SECTION C-C



SECTION A-A  
(Showing dimensions)

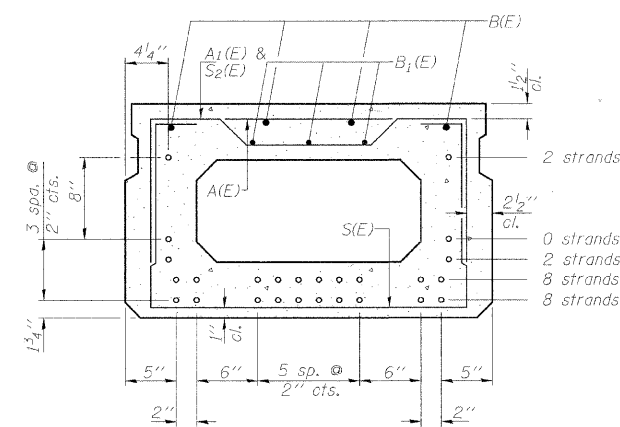


VIEW B-B



PLAN VIEW

Note: Spacing of S1(E) and S2(E) bars may be adjusted up to 4" in the immediate area of the transverse tie diaphragms to miss the block outs for the transverse ties.



SECTION A-A

(Showing reinforcement and permissible strand locations)

Note: Place the number of strands specified in each row symmetrically about the centerline of beam in the permissible strand locations shown.

BAR LIST  
ONE BEAM ONLY  
(For information only)

Bar	No.	Size	Length	Shape
A(E)	15	#4	2'-7"	—
A1(E)	30	#4	2'-10"	~
B(E)	4	#5	49'-2"	—
B1(E)	3	#4	49'-2"	—
S(E)	70	#4	6'-5"	□
S1(E)	10	#4	4'-11"	□
S2(E)	60	#4	5'-2"	□
U(E)	8	#5	4'-0"	□
U1(E)	4	#4	5'-0"	□

Note: See sheet 3 of 10 for additional details and Bill of Material.

MINIMUM BAR LAP

#4 bar = 2'-0"  
#5 bar = 2'-6"

21" x 36" PPC DECK BEAM  
STRUCTURE NO. 058-6024

21" x 36" PPC DECK BEAM			Sheet No.
Date	Designed DCS	C.H. 7 (BALTIMORE AVE.) OVER BIG CREEK SECTION 05-00204-00-BR MACON COUNTY STA. 17+00.00 PROP. STR. NO. 058-6024	2
Revisions	Drawn BKN		
	Checked KWB		
	Approved KWB		
Prepared by:	URS	345 East Ash Avenue Decatur, IL 62526	of 10 URS Job No. 36431685