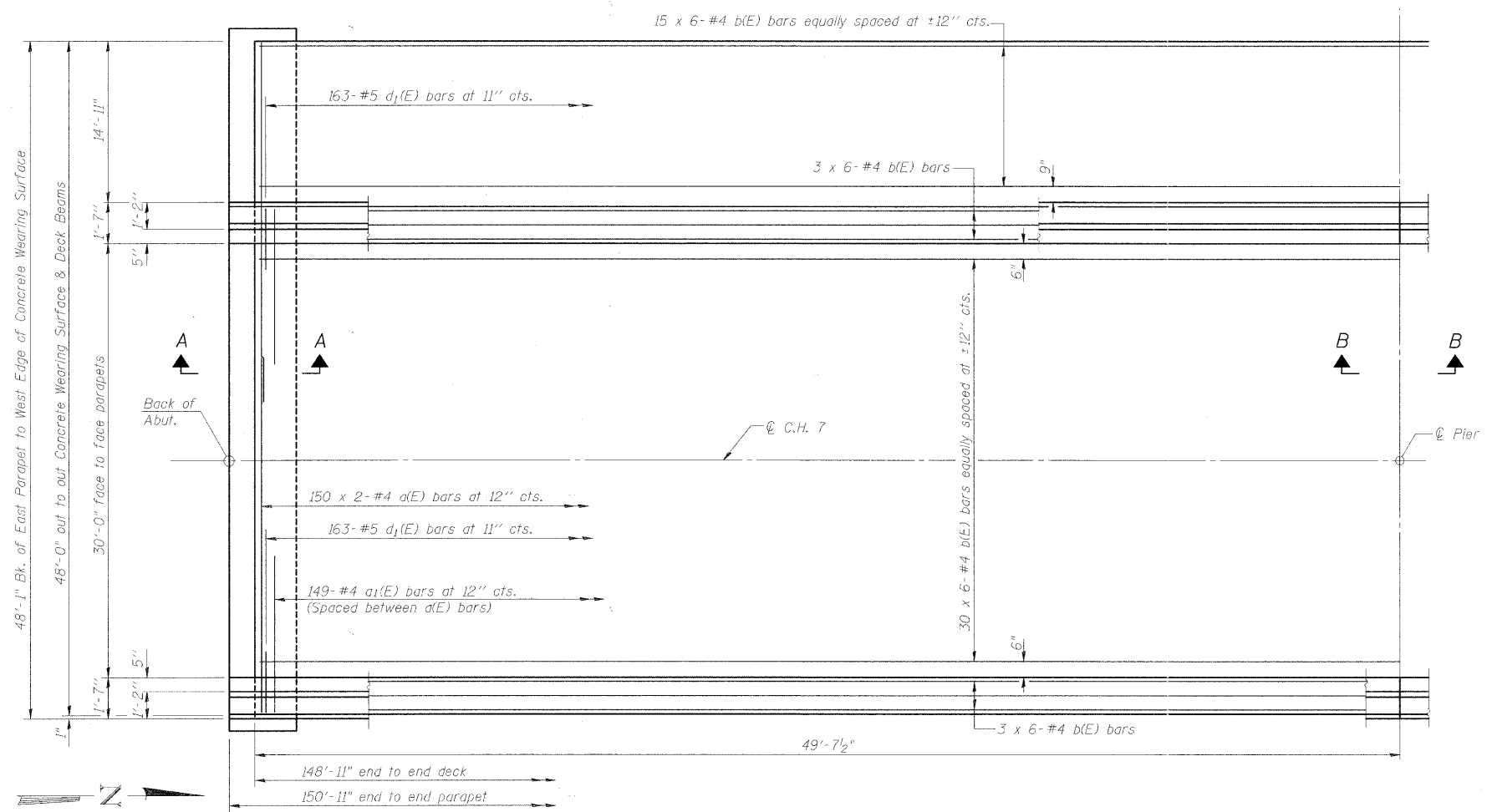


ROUTE NO.	SECTION	COUNTY	TOTAL SHEETS	SHEET NO.
C.H. 7	05-00204-00-BR	MACON	21	15
FED. ROAD DIST. NO.	ILLINOIS PROJECT:			

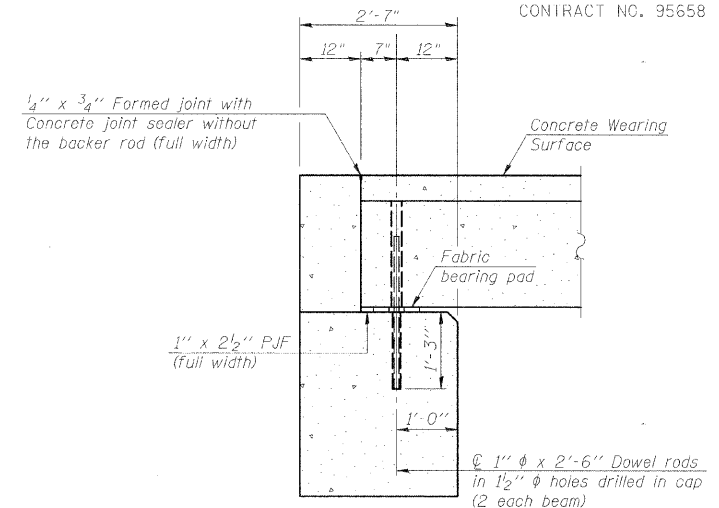
CONTRACT NO. 95658



PLAN

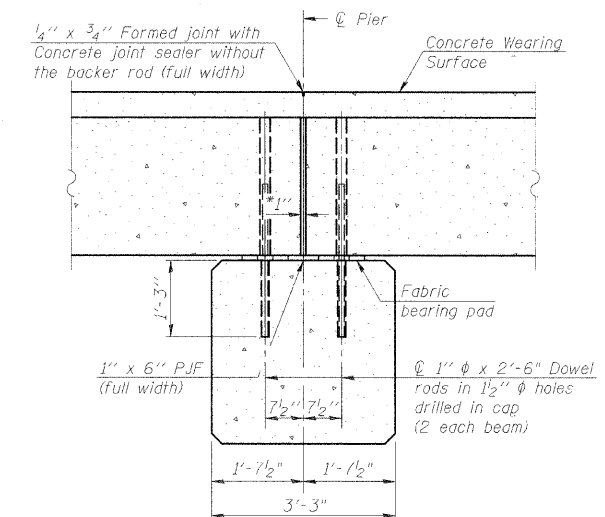
NOTES
 See sheet 5 of 10 for Superstructure Details, Parapet Reinforcement and Bill of Material.
 Bars indicated thus 20 x 2-#4 etc. indicates 20 lines of bars with 2 lengths per line.

MINIMUM BAR LAP
 #4 bar = 2'-7"



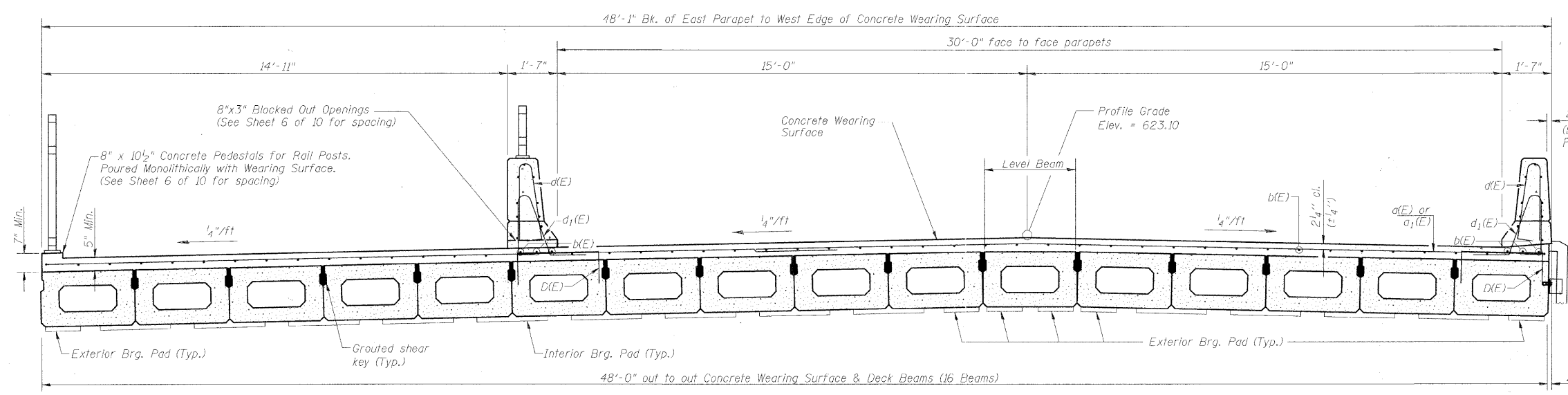
SECTION A-A
 (Dimensions are at Rt. L's)

Notes:
 All concrete wearing surfaces shall be placed prior to casting the backwall.
 See sheet 3 of 10 for fabric bearing pad details.



SECTION B-B
 (Dimensions are at Rt. L's)

*1" jt. shall be filled with non-shrink grout. 1" dimension may vary to accommodate tolerance in beam lengths.



CROSS SECTION
 (Looking North)

SUPERSTRUCTURE
STRUCTURE NO. 058-6024

SUPERSTRUCTURE		C.H. 7 (BALTIMORE AVE.) OVER BIG CREEK SECTION 05-00204-00-BR MACON COUNTY STA. 17+00.00 PROP. STR. NO. 058-6024	Sheet No.
Date	Designed DCS		4
Revisions	Drawn BKN		
	Checked KWB		
	Approved KWB		
Prepared by:	URS 345 East Ash Avenue Decatur, IL 62526		of 10 URS Job No. 36431685