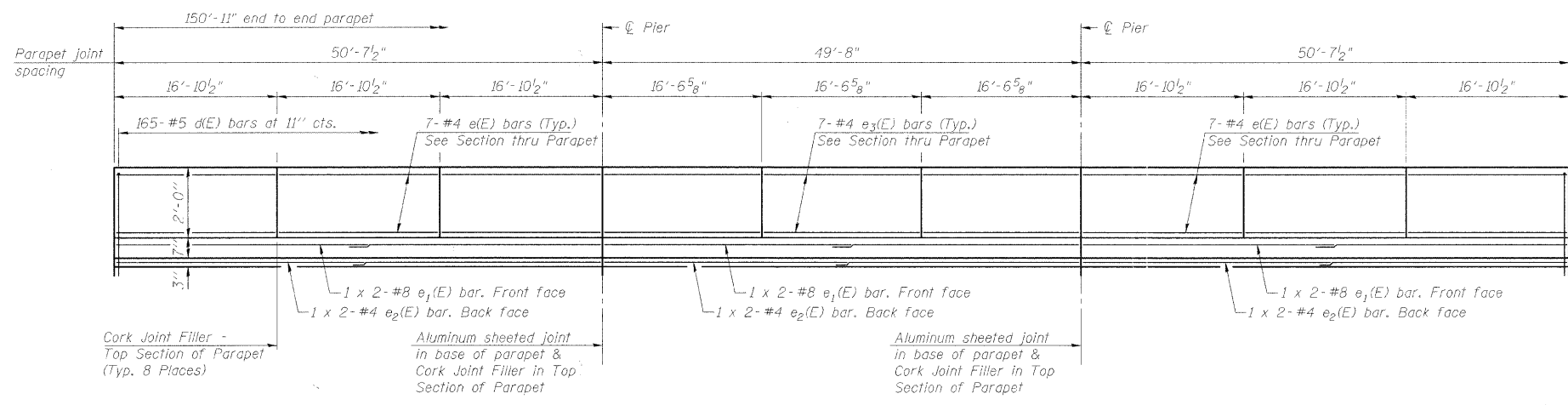


ROUTE NO.	SECTION	COUNTY	TOTAL SHEETS	SHEET NO.
C.H. 7	05-00204-00-BR	MACON	21	16
FED. ROAD DIST. NO.	ILLINOIS PROJECT:		CONTRACT NO. 95658	

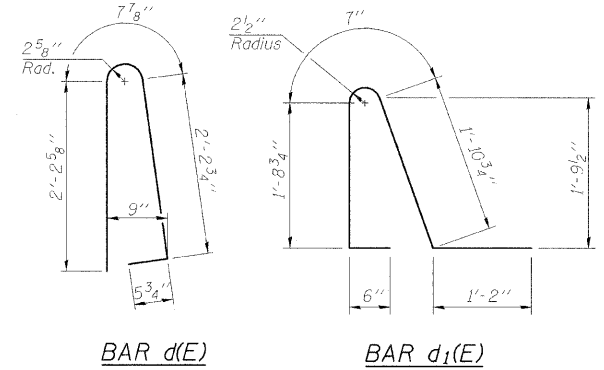


NOTES

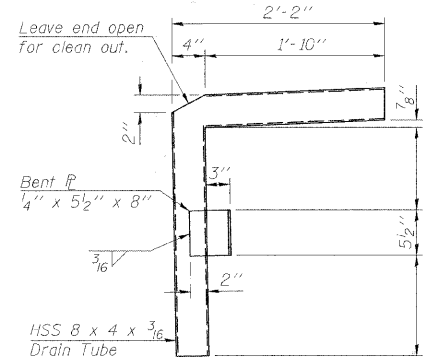
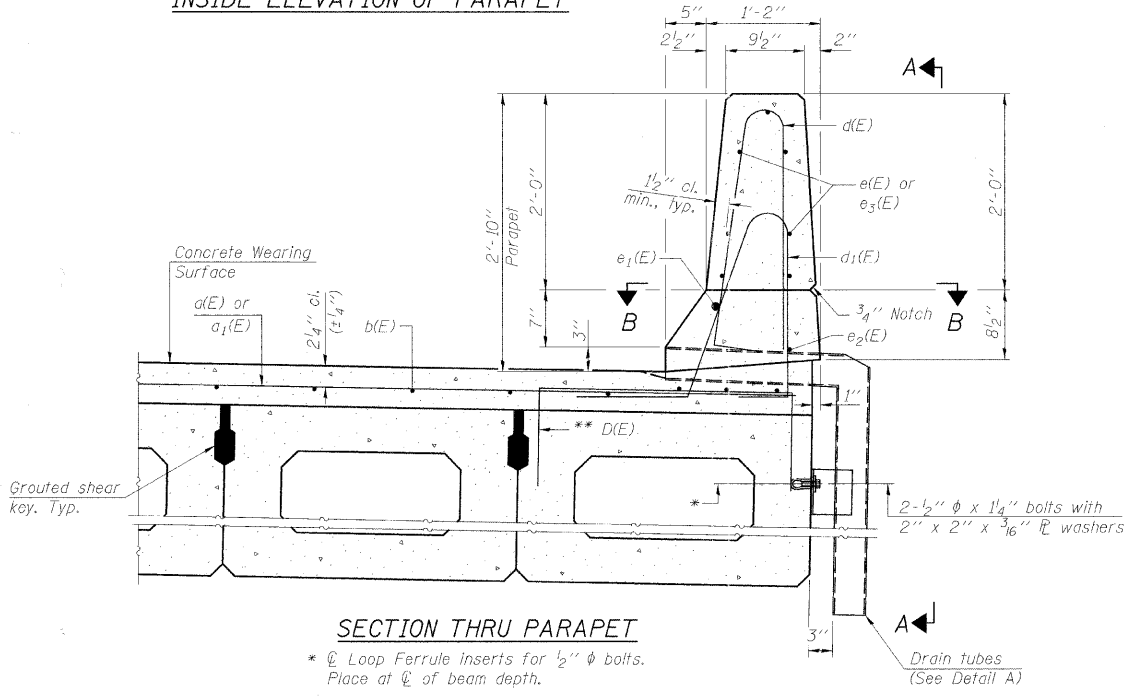
Bars indicated thus 1 x 2-#4 etc. indicates 1 line of bars with 2 lengths per line.
Space Reinforcement Bars in Parapets to miss 8" x 3" Blocked Out openings and Drain Tubes.

MINIMUM BAR LAP

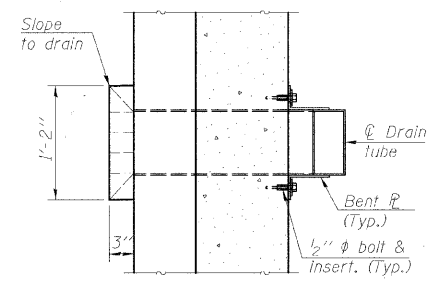
#4 bar = 2'-0"
#8 bar = 5'-2"



INSIDE ELEVATION OF PARAPET



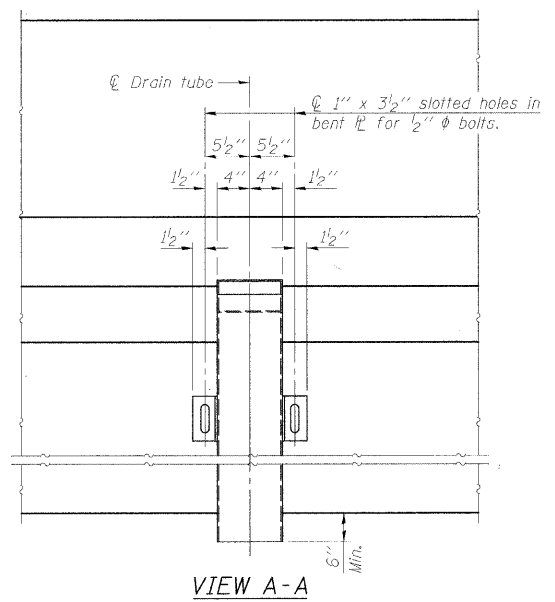
DETAIL A



SECTION B-B

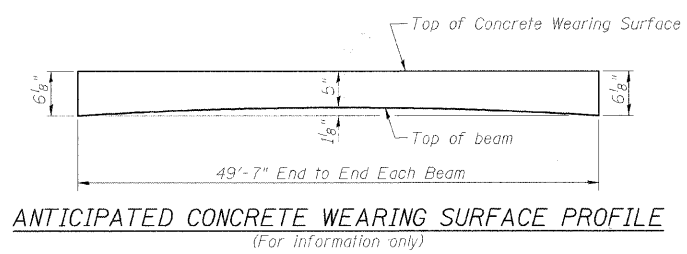
SUPERSTRUCTURE BILL OF MATERIAL

Bar	No.	Size	Length	Shape
d(E)	300	#4	25'-2"	—
a1(E)	298	#4	6'-0"	—
b(E)	306	#4	26'-11"	—
d(E)	330	#5	5'-7"	—
d1(E)	326	#5	5'-11"	—
e(E)	84	#4	16'-6"	—
e1(E)	12	#8	27'-9"	—
e2(E)	12	#4	26'-2"	—
e3(E)	42	#4	16'-2"	—
Reinforcement Bars, Epoxy Coated		Pound	18,160	
Concrete Superstructure		Cu. Yd.	34.6	
Concrete Wearing Surface, 5"		Sq. Yd.	794	

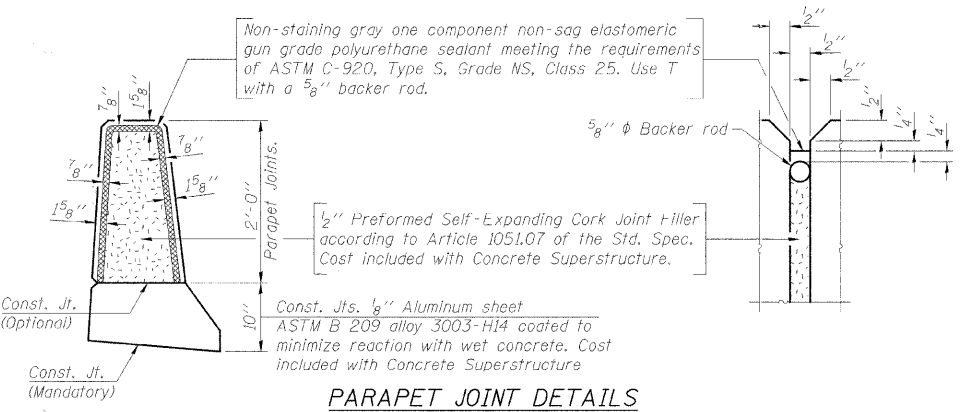


VIEW A-A

Note: All drain tubes and accessories shall be galvanized according to AASHTO M111 or M232, (as applicable). The cost of the drain tube assemblies and everything necessary for their installation is included with Concrete Superstructure.



ANTICIPATED CONCRETE WEARING SURFACE PROFILE
(For information only)



PARAPET JOINT DETAILS

SUPERSTRUCTURE DETAILS
STRUCTURE NO. 058-6024

SUPERSTRUCTURE DETAILS			Sheet No.
Date	Designed	DCS	5 of 10
Revisions	Drawn	BKN	
	Checked	KWB	
	Approved	KWB	
Prepared by:	URS 345 East Ash Avenue Decatur, IL 62526		
C.H. 7 (BALTIMORE AVE.) OVER BIG CREEK SECTION 05-00204-00-BR MACON COUNTY STA. 17+00.00 PROP. STR. NO. 058-6024			URS Job No. 36431685