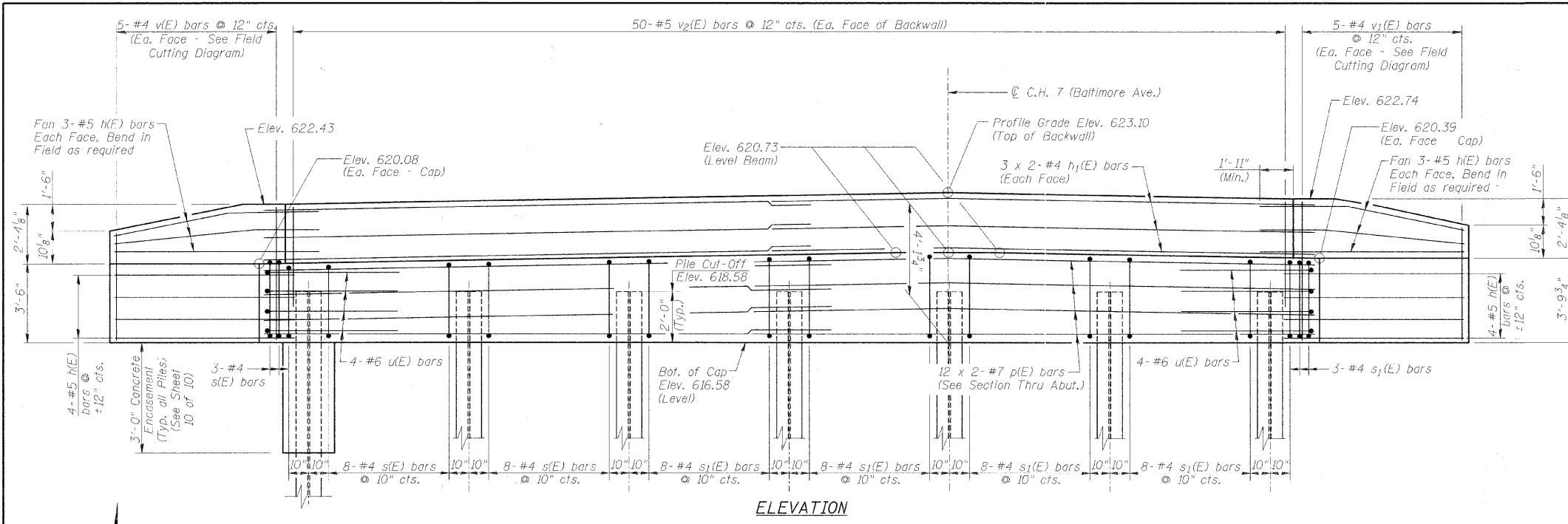
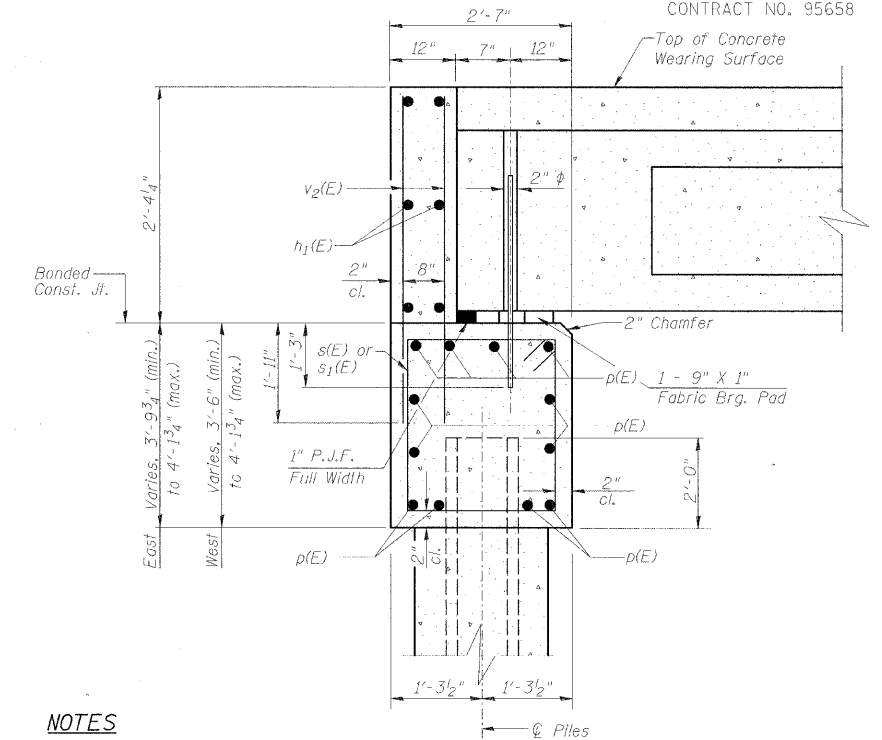


ROUTE NO.	SECTION	COUNTY	TOTAL SHEETS	SHEET NO.
C.H. 7	05-00204-00-BR	MACON	21	19
FED. ROAD DIST. NO.	ILLINOIS	PROJECT:		

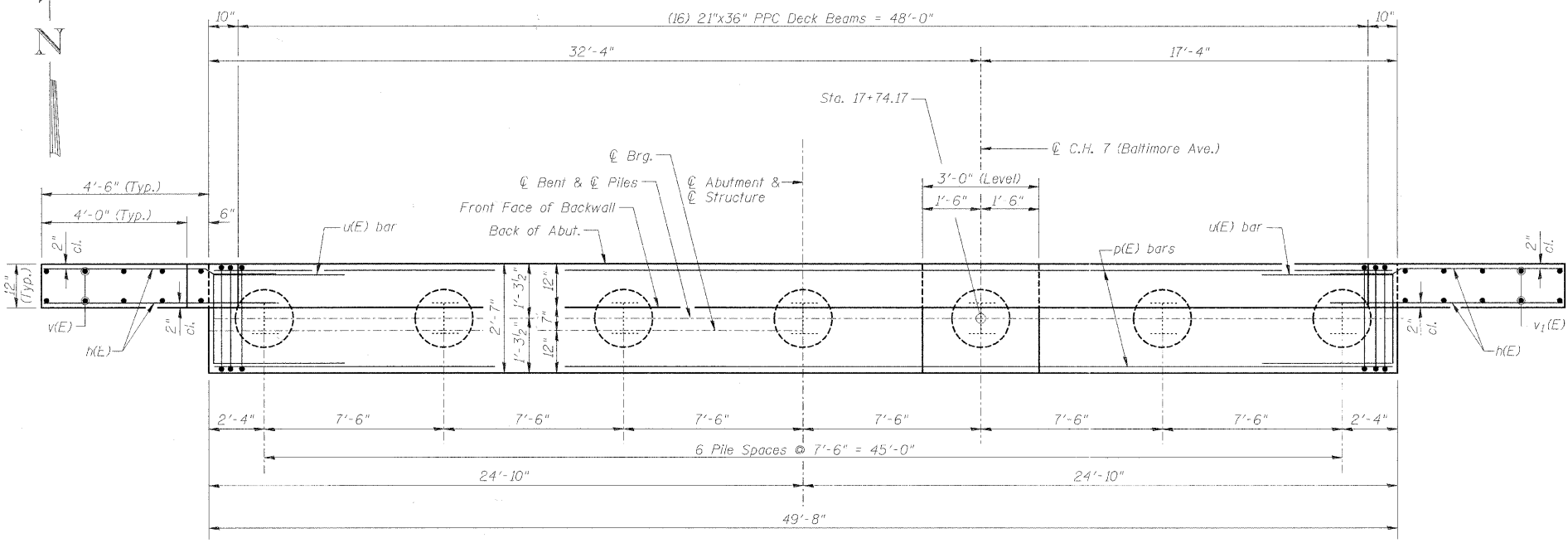
CONTRACT NO. 95658



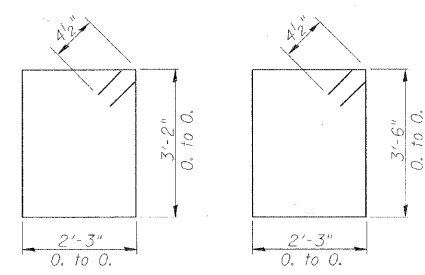
ELEVATION



SECTION THRU ABUT.

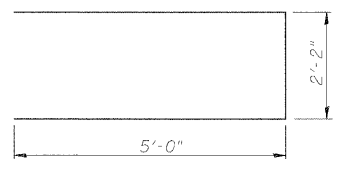


PLAN

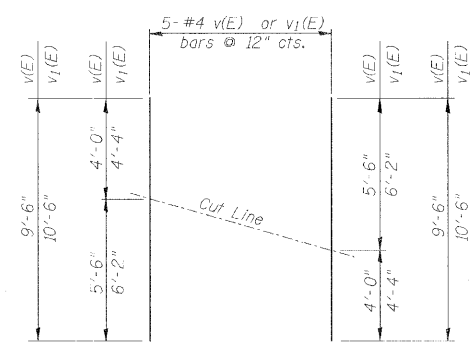


BAR s(E)

BAR s1(E)



BAR u(E)



FIELD CUTTING DIAGRAM

Order bars full length. Cut to fit as shown and use remainder of bars in other face.

NOTES

- The Backwall and the portion of the Wingwalls above the bonded construction joint shall be cast against the in-place beam.
- 1" dia. x 2'-6" dowel rods in 1 1/2" dia. holes drilled in cap (2 ea. beam). Dowel rods to be grouted after beams are in place and allowed to cure (min. 24 hrs.) prior to grouting the shear keys. The grout shall be an approved non-shrink grout.
- Reinforcement bars designated (E) shall be epoxy coated.
- Reinforcement bars shall conform to the requirements of A.S.T.M. A706 Grade 60. See Special Provisions.
- Space reinforcement in cap to miss dowel rods.
- Bars indicated thus 3 x 2-#4 etc. indicates 3 lines of bars with 2 lengths per line.
- The Contractor shall drive test piles to 110 Percent of the Nominal Required Bearing indicated in the Pile Data information before ordering the remainder of the piles.

DESIGN STRESSES

$f'_c = 3,500$ psi
 $f_y = 60,000$ psi

MIN. BAR LAP

#4 Bar = 2'-0"
 #7 bar = 3'-11"

PILE DATA

Type & Size: HP10x42
 Nominal Required Bearing: 335 Kips
 Factored Resistance Available: 184 Kips (Refusal)
 Est. Length: 26'-0"
 No. Required: 7

BILL OF MATERIAL

Bar	No.	Size	Length	Shape
h(E)	28	#5	6'-6"	—
h1(E)	12	#4	25'-9"	—
p(E)	24	#7	26'-8"	—
s(E)	19	#4	11'-7"	□
s1(E)	35	#4	12'-3"	□
u(E)	8	#6	12'-2"	□
v(E)	5	#4	9'-6"	—
v1(E)	5	#4	10'-6"	—
v2(E)	100	#5	4'-2"	—
Concrete Structures			Cu. Yd.	24.5
Concrete Encasement			Cu. Yd.	2.5
Reinforcement Bars, Epoxy Coated			Pound	2790
Furnishing Steel Piles HP10x42			Foot	182
Driving Piles			Foot	182

NORTH ABUTMENT

Date	Designed DCS	C.H. 7 (BALTIMORE AVE.) OVER BIG CREEK SECTION 05-00204-00-BR MACON COUNTY STA. 17+00.00 PROP. STR. NO. 058-6024	Sheet No.
Revisions	Drawn BKN		8
	Checked KWB		
	Approved KWB		
Prepared by:	URS	345 East Ash Avenue Decatur, IL 62526	URS Job No. 36431685