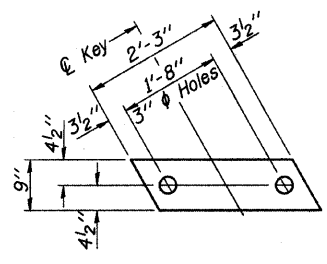
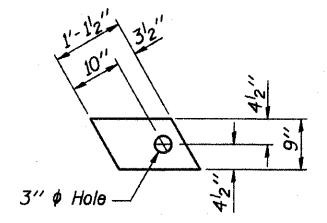


ROUTE NO.	SECTION	COUNTY	TOTAL SHEETS	SHEET NO.
C.H. ID	08-0018-00-BR	FAYETTE	12	7
FEDERAL AID PROJECT		ILLINOIS	PROJECT	

CONTRACT NO. 95662



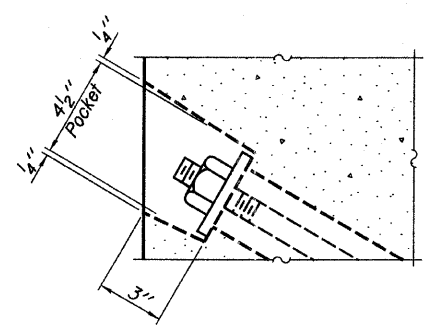
FABRIC BEARING PAD
(Interior)



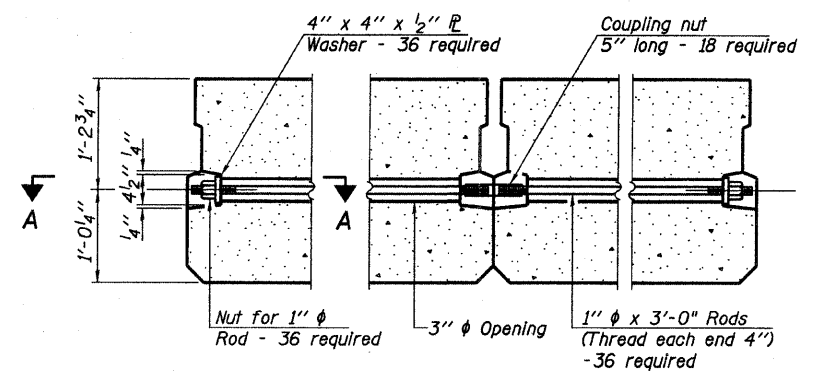
FABRIC BEARING PAD
(Exterior)

FIXED

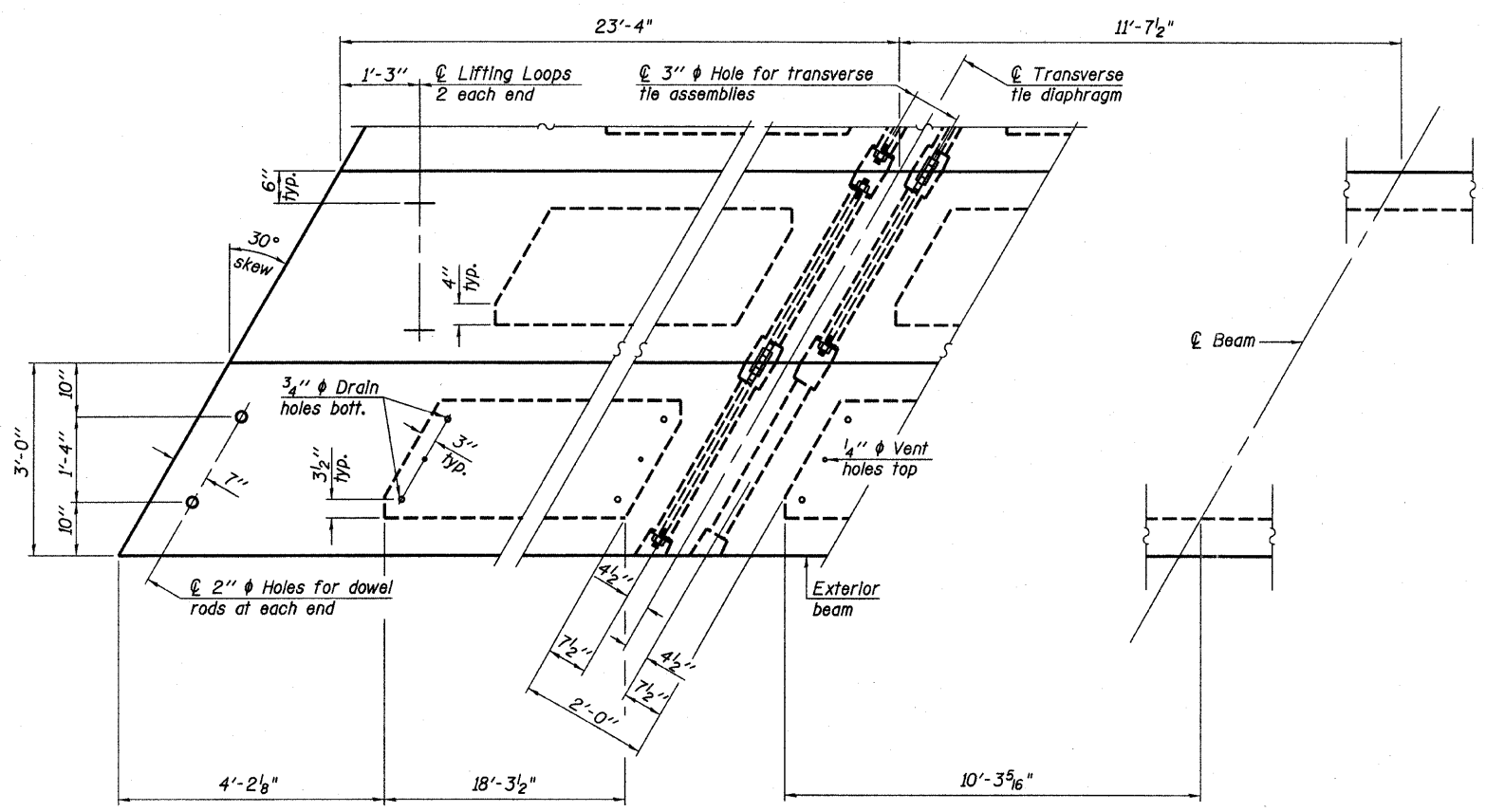
Note: All bearing pads shall be 1/2" thick.



SECTION A-A



TYPICAL TRANSVERSE TIE ASSEMBLY



PLAN VIEW

Note: Connect beams in pairs with the transverse tie configuration shown.

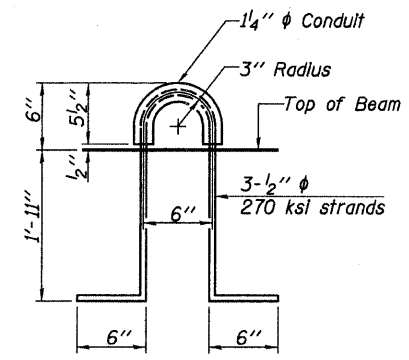
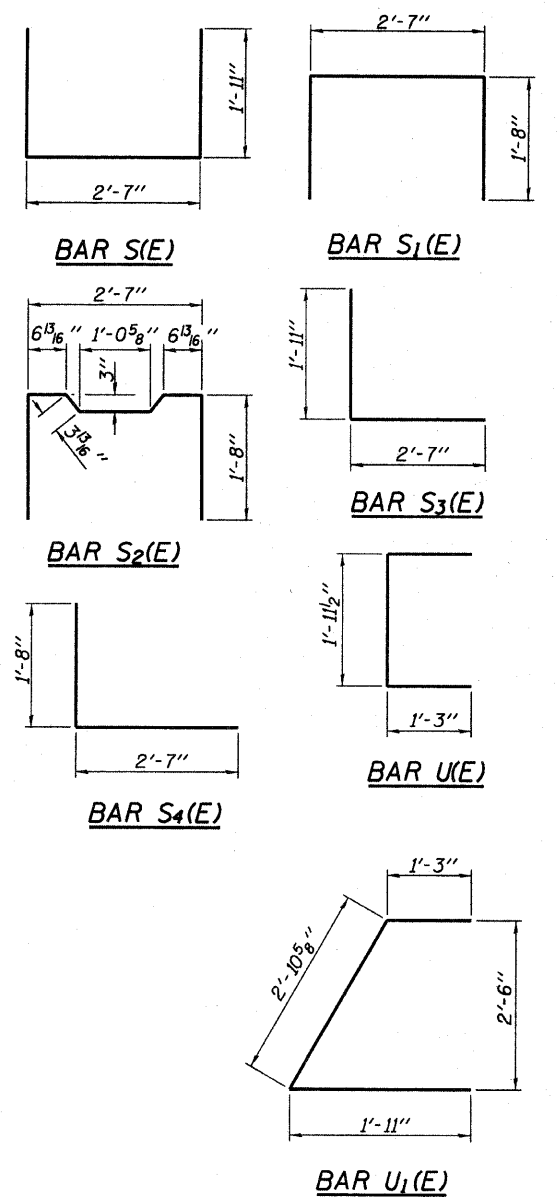
DESIGN STRESSES

- $f_s = 270,000$ p.s.i. (1/2" ϕ Low relax Strand)
- $f_{st} = 201,960$ p.s.i. (1/2" ϕ Low relax Strand)
- $F_i = 30,900$ lbs per strand
- $f_y = 60,000$ p.s.i. Reinf. bars
- $f'_c = 6,000$ p.s.i.
- $f'_{ci} = 5,000$ p.s.i.

NOTES

- Prestressing steel shall be uncoated high strength, low relaxation 7-wire strand, Grade 270. The nominal diameter shall be 1/2" and the nominal cross-sectional area shall be 0.153 sq. in.
- The 1" ϕ rods in the transverse tie assembly shall be tightened to a snug fit and the threads set. Pockets on exterior faces of bridge shall be filled with grout after transverse tie assembly is in place.
- Reinforcement bars shall conform to ASTM A 706 (IL Modified), Grade 60.
- A minimum 2 1/2" ϕ lifting pin shall be used to engage the lifting loops during handling.
- Two 1/8" fabric adjusting shims of the dimensions of the exterior bearing pad shall be provided for each bearing pad location.
- Corrosion Inhibitor, per Article 1020.05(b)(12) and 1021.06 of the Standard Specifications, shall be used in the concrete for precast prestressed concrete deck beams.
- Compressive strength of prestressed concrete, f'_c , shall be 6000 psi.
- Compressive strength of prestressed concrete at release, f'_{ci} , shall be 5000 psi.
- Rail post anchor devices shall be cast into outside beam as elsewhere specified.
- Keyway surfaces shall be cleaned to remove form oil or other bond breaking material prior to shipment of the beams. Cleaning shall be done by sandblasting the keyway areas between the top of the beam and the bottom edge of the key.

Note: See sheet 5 of 12 for Bill of Material.



LIFTING LOOP DETAIL

P.P.C. DECK BEAM DETAILS AND SECTIONS	
SECTION 08-0018-00-BR FAYETTE COUNTY STRUCTURE NO. 026-3451	

RHUTASEL and ASSOCIATES, INC.
CONSULTING ENGINEERS & LAND SURVEYORS
CENTRALIA, ILLINOIS FREEBURG, ILLINOIS

PREPARED FOR:
AECOM
6007894

Date: 04/07/2011
Design: WDL
Drawn: JSD
Job No.: 51410