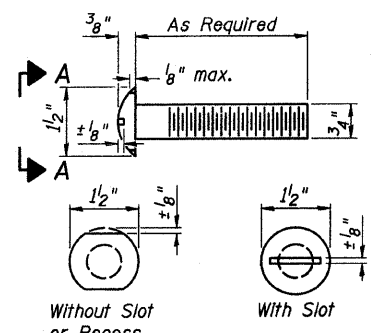
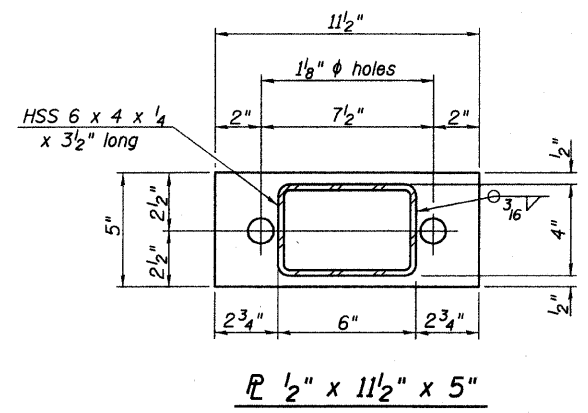


ROUTE NO.	SECTION	COUNTY	TOTAL SHEETS	SHEET NO.
C.H. 10	08-00118-00-BR	FAYETTE	12	8
FEDERAL AID PROJECT		ILLINOIS	PROJECT	

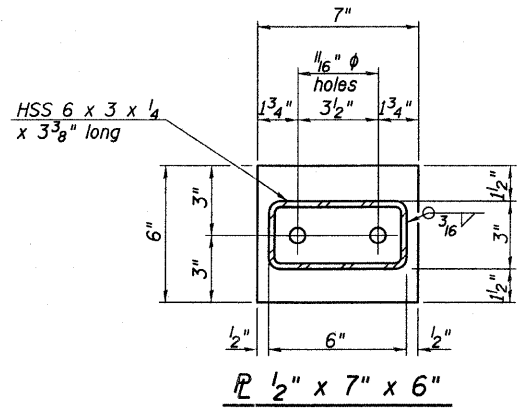
CONTRACT NO. 95662



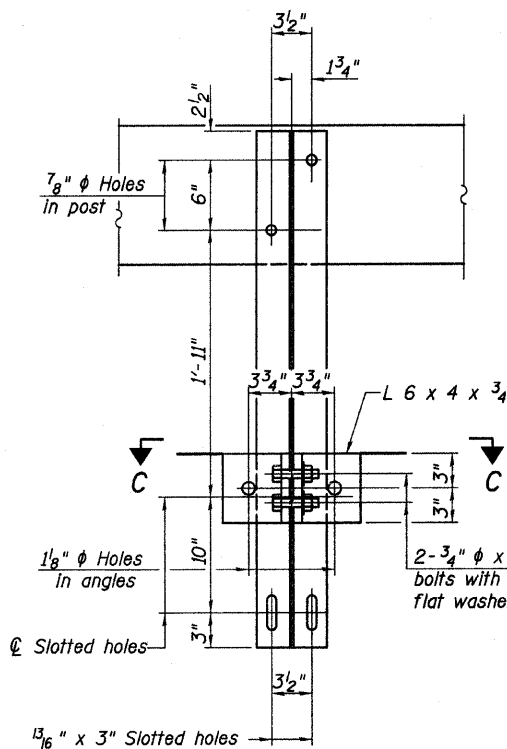
VIEW A-A ROUND HEAD BOLT



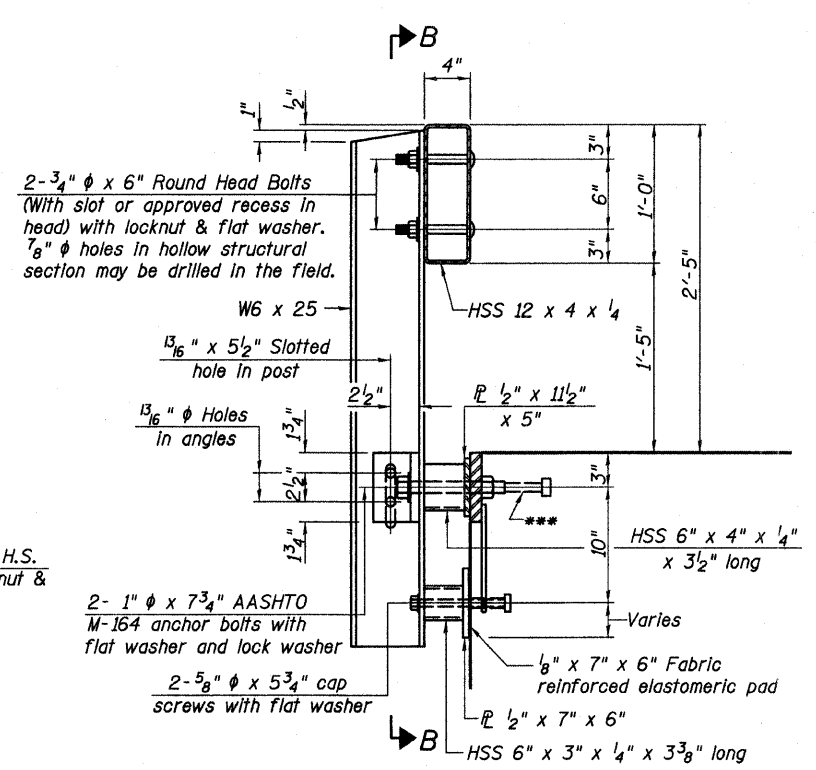
SECTION B-B



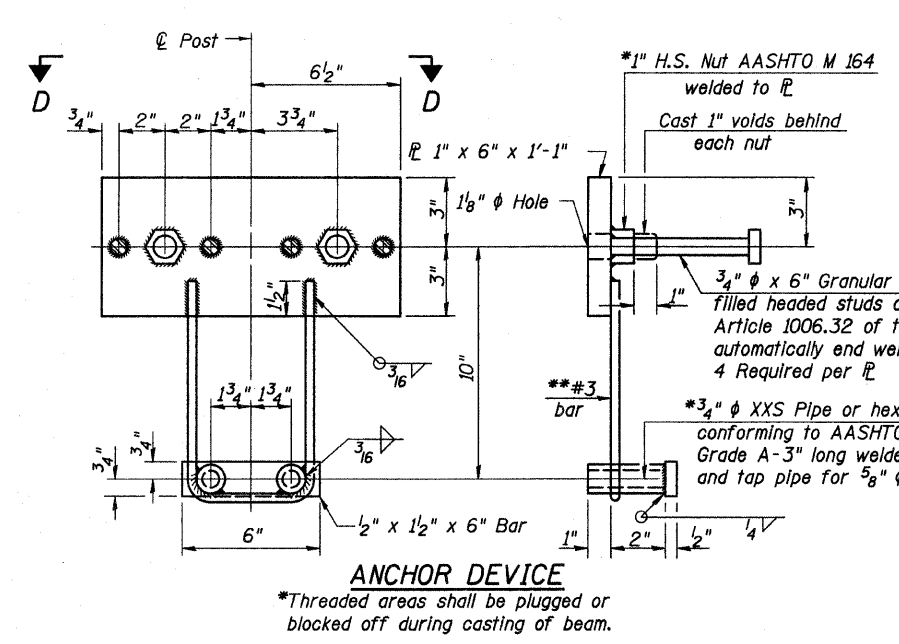
SECTION AT RAILING POST



SECTION C-C

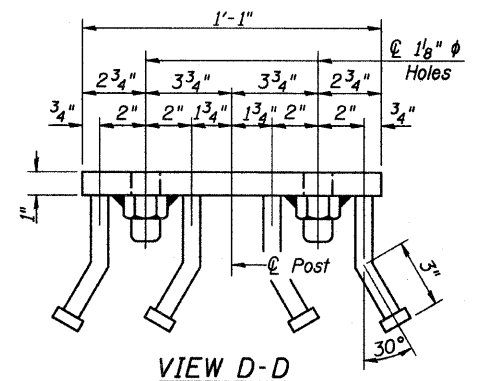


SECTION AT RAILING POST

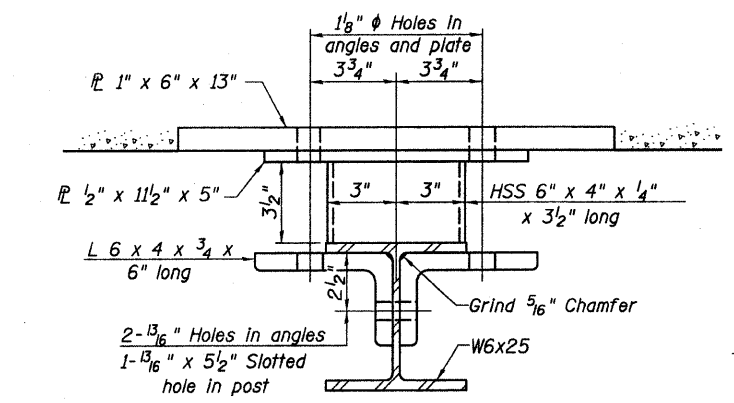


ANCHOR DEVICE

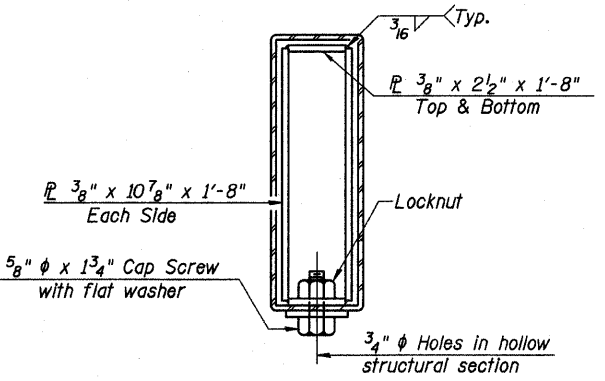
***Whenever the lower insert assemblies interfere with strand locations, the #3 bars shall be cut and adjusted in order to allow raising or lowering of the lower inserts. Maximum adjustment not to exceed 1/2 inch.



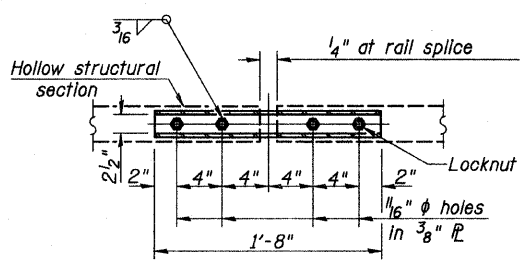
VIEW D-D



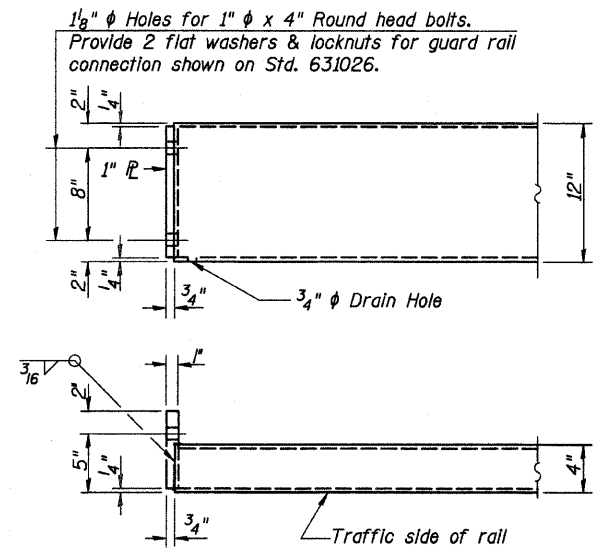
SECTION C-C



SECTIONS AT RAIL SPLICE



PLAN-BOTTOM SPLICE TYPICAL



END OF RAIL DETAILS

See sheet 5 of 12 for Steel Railing Quantities.

RHUTASEL and ASSOCIATES, INC.
CONSULTING ENGINEERS • LAND SURVEYORS
CENTRALIA, ILLINOIS FREEBURG, ILLINOIS

PREPARED FOR:
AECOM
60097894

Date: 04/07/2011
Design: WDL
Drawn: JSD
Job No.: 51410

STEEL RAILING
TYPE S1
SECTION 08-00118-00-BR
FAYETTE COUNTY
STRUCTURE NO. 026-3451