

DIMENSION 'E'

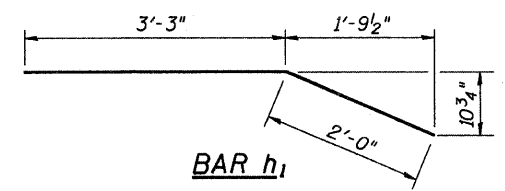
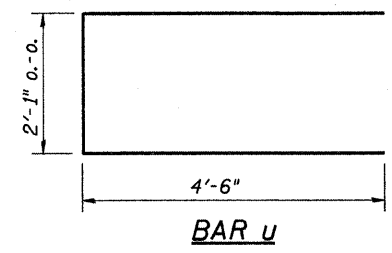
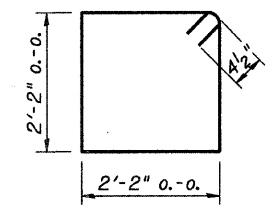
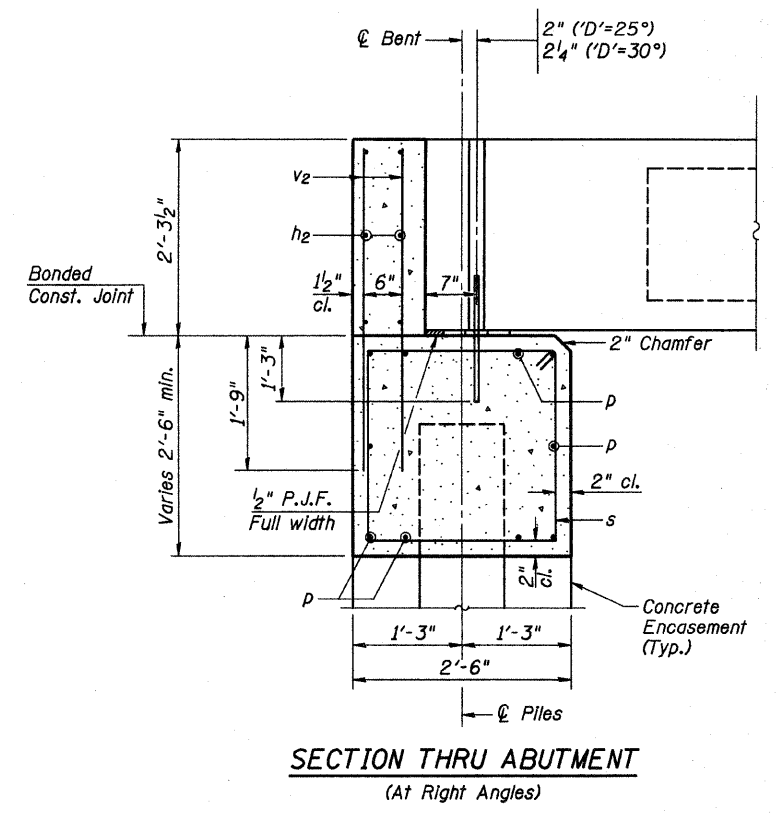
GRADE	'D'=25°		'D'=30°	
	UPGRADE END	DOWNGRADE END	UPGRADE END	DOWNGRADE END
0%	3 1/8"	3 1/8"	3"	3"
Over 0% to 1%	2 5/8"	3 1/2"	2 3/8"	3 1/2"
Over 1% to 2%	1 3/4"	4 1/2"	1 3/8"	4 5/8"
Over 2% to 3%	3/4"	5 3/8"	1/4"	5 5/8"
Over 3% to 4%	0"	6 1/4"	—	—

NOTES

- The Backwall and the portion of the Wingwalls above the bonded construction joint shall be cast against the in-place beam.
- Reinforcement bars shall conform to the requirements of ASTM A706, Grade 60 (IL Modified).
- Space reinforcement in cap to miss anchor bolts.

DESIGN STRESSES

f'c = 3,500 psi
fy = 60,000 psi



BILL OF MATERIAL FOR ONE ABUTMENT

Bar	No.	Size	Length	Shape
h	16	#4	5'-0"	—
h1	4	#4	5'-3"	—
h2	6	#4	36'-2"	—
p	10	#7	36'-2"	—
s	41	#4	9'-5"	□
u	8	#6	11'-1"	□
v	8	#4	3'-8"	—
v1	8	#4	4'-2"	—
v2	72	#4	3'-11"	—
Concrete Structures			12.9 Cu. Yds.	
Reinforcement Bars			1570 Pound	
Concrete Encasement			3.3 Cu. Yds.	