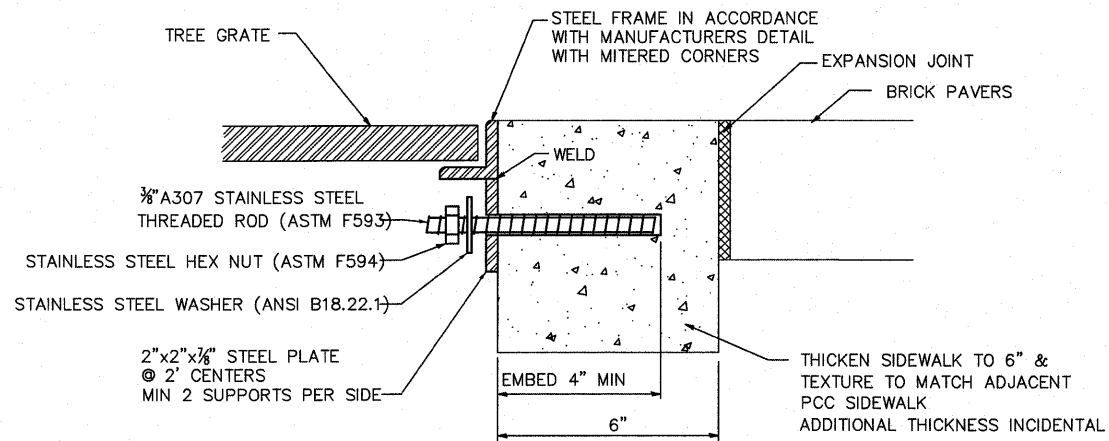
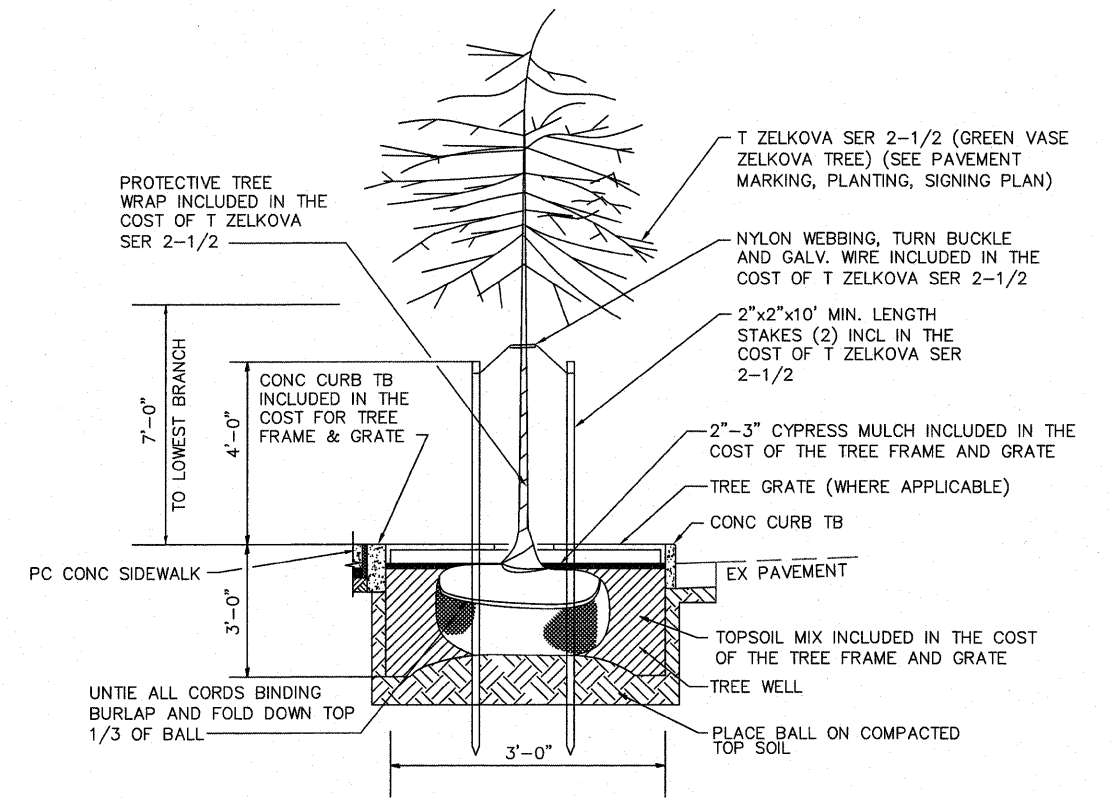


SECTION C-C  
TREE FRAME AND GRATE DETAIL  
OPTION 1  
(NOT TO SCALE)



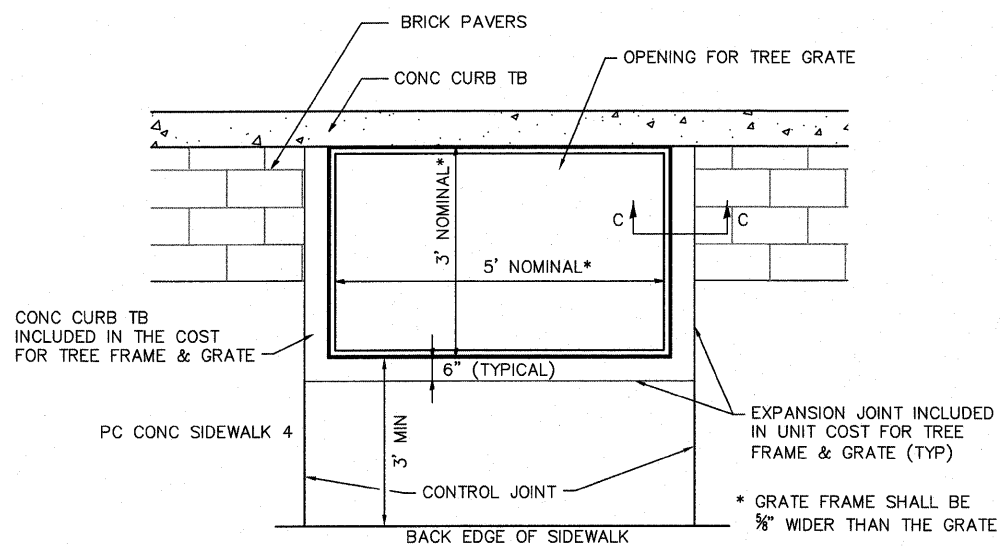
SECTION C-C  
TREE FRAME AND GRATE DETAIL  
OPTION 2  
(NOT TO SCALE)

EMBED STAINLESS STEEL THREADED ROD WITH A CAPSULE OR ADHESIVE CARTRIDGE TYPE EPOXY SYSTEM. THE CONTRACTOR SHALL INSTALL THE RODS IN PRE-DRILLED HOLES ACCORDING TO THE MANUFACTURER'S RECOMMENDATIONS AND PROCEDURES. THE CAPSULE OR THE ADHESIVE CARTRIDGE SHALL BE SEALED WITH PREMEASURED AMOUNTS OF THE ADHESIVE CHEMICAL.



TREE FRAME AND GRATE DETAIL  
NOT TO SCALE

NOTE:  
ELECTRICAL CONDUIT WILL ONLY BE ALLOWED IN THE OUTER 6" OF THE TREE WELL



TREE FRAME AND GRATE DETAIL  
(NOT TO SCALE)  
STA 23+79 LT

STATE OF ILLINOIS  
DEPARTMENT OF TRANSPORTATION

DETAILS

FILE NAME = H:\P125040\DWG\PHASE 1\25040-DESIGN.DWG

USER NAME = ASHLEIGH ENGELMANN	DESIGNED - SLW	REVISED -
PLOT SCALE = 4 41/64" = 1"	DRAWN - SLW	REVISED -
PLOT DATE = 2011-05-10	CHECKED - TLC	REVISED -
	DATE - 2010-06-11	REVISED -

SCALE: SHEET NO. 2 OF 6 SHEETS STA. TO STA.

FAU RTE. SECTION COUNTY TOTAL SHEETS SHEET NO.  
9302 06-00045-00-SW MONROE 24 13

CONTRACT NO. 97468  
COLUMBIA ILLINOIS FED. AID PROJECT