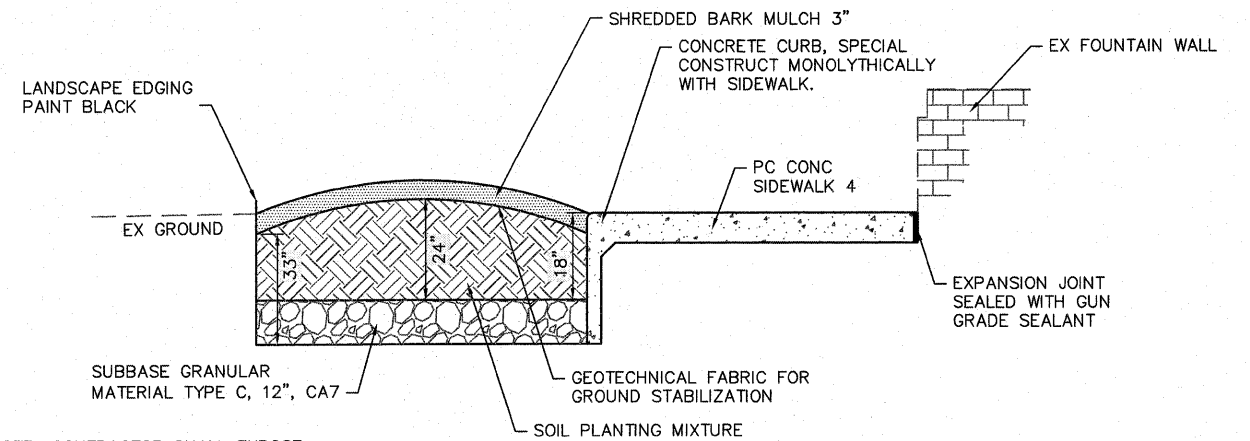
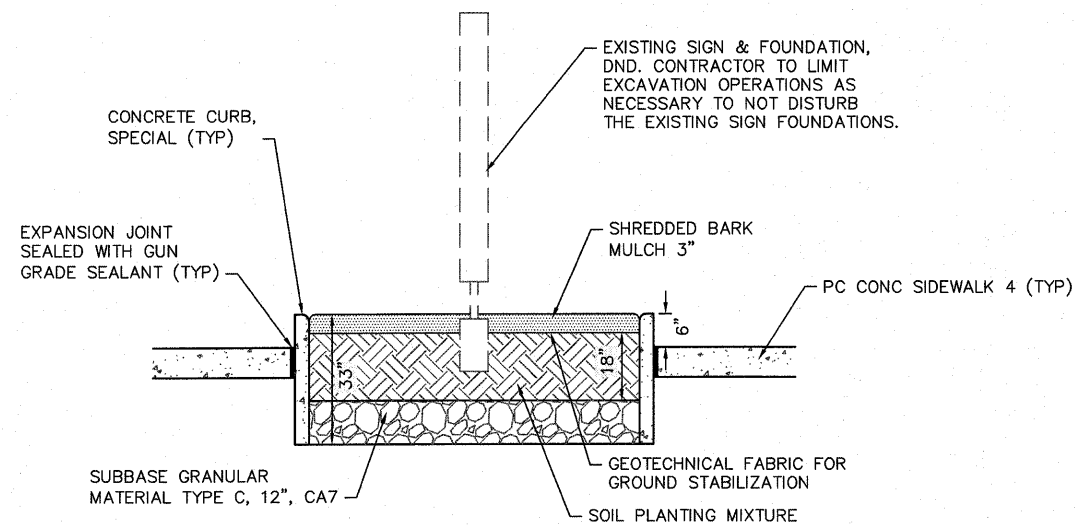


LANDSCAPING DETAIL 1
NOT TO SCALE



NOTE: CONTRACTOR SHALL EXPOSE UTILITIES AND COORDINATE WORK TO AVOID DISRUPTION OF SERVICE TO EXISTING UTILITIES.

LANDSCAPING DETAIL 2
NOT TO SCALE



LANDSCAPING DETAIL 3
NOT TO SCALE

STATE OF ILLINOIS
DEPARTMENT OF TRANSPORTATION

DETAILS

FILE NAME =	USER NAME =	DESIGNED -	REVISED -
H:\P\25040\DWG\PHASE 1\25040-DESIGN.DWG	ASHLEIGH ENGELMANN	SLW	SLW
		DRAWN -	REVISED -
		SLW	SLW
		CHECKED -	REVISED -
		TLC	TLC
		DATE -	REVISED -
		2011-06-20	2010-06-11

F.A.U. RTE.	SECTION	COUNTY	TOTAL SHEETS	SHEET NO.
9302	06-00045-00-SW	MONROE	24	14
CONTRACT NO. 97468				
SCALE:	SHEET NO. 3 OF 6 SHEETS	STA. 22+29.00 TO STA. 25+06.39	COLUMBIA	ILLINOIS FED. AID PROJECT