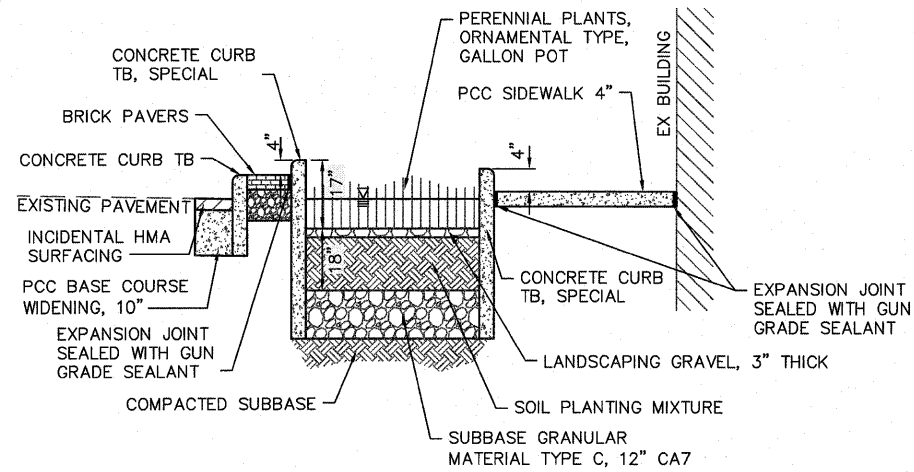
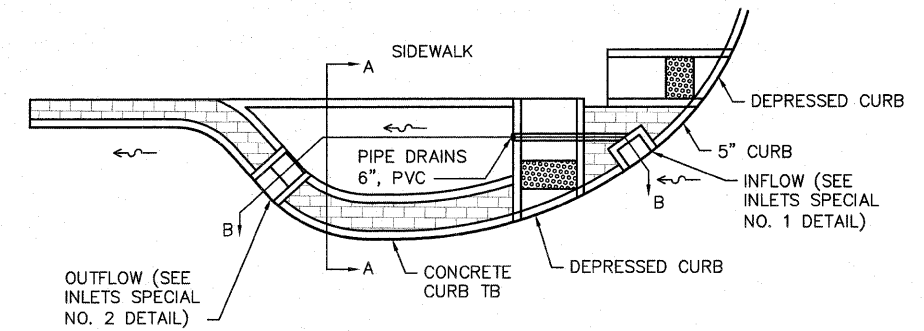


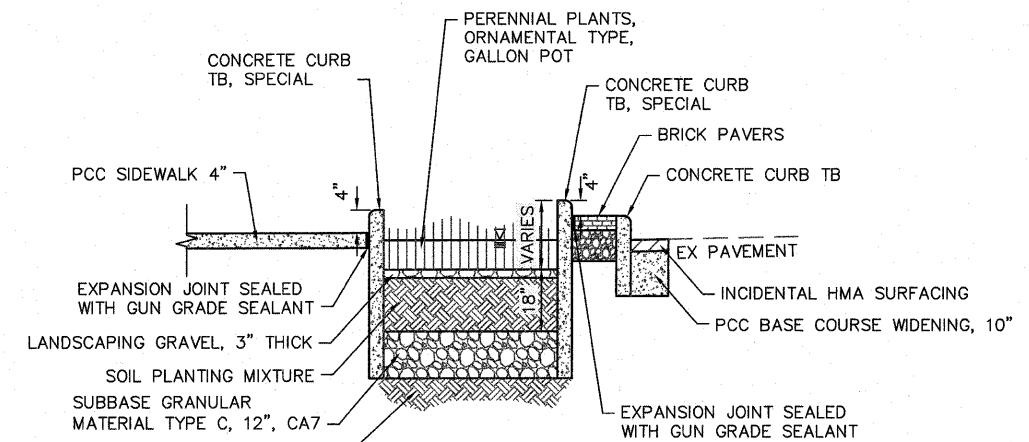
PLAN VIEW



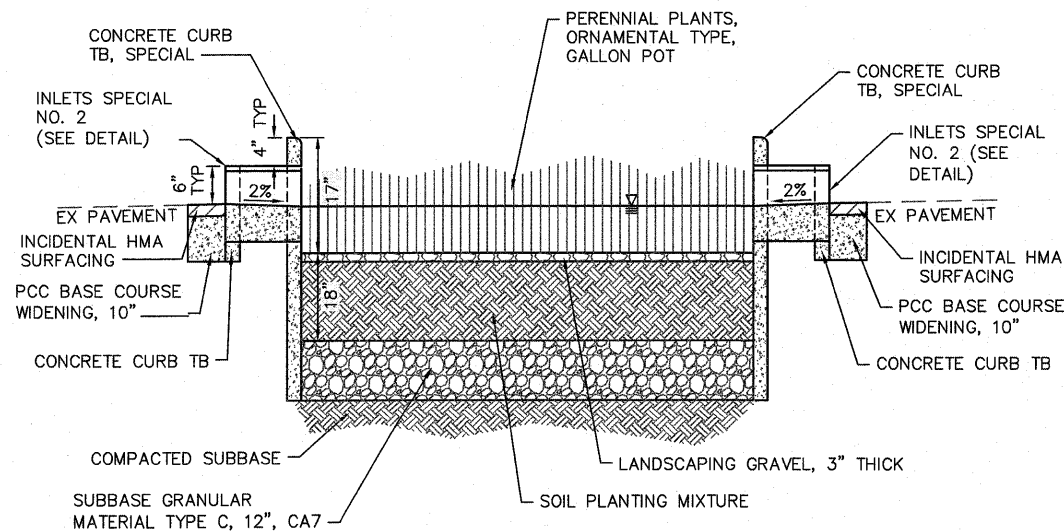
SECTION A-A



PLAN VIEW



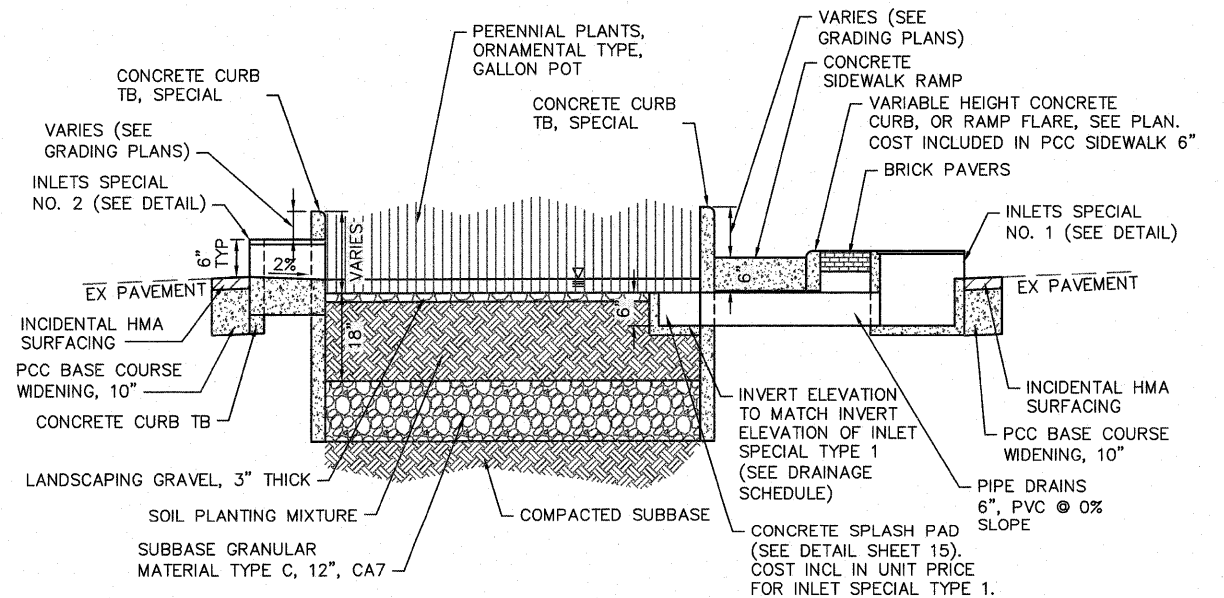
SECTION A-A



SECTION B-B

RAIN GARDEN DETAIL 1

NOT TO SCALE



SECTION B-B

RAIN GARDEN DETAIL 2

NOT TO SCALE

| | | | |
|--|--------------------|------------|------------|
| FILE NAME = | USER NAME = | DESIGNED - | REVISED - |
| H:\P25040\DWG\PHASE 1\25040- DESIGN.DWG | ASHLEIGH ENGELMANN | SLW | SLW |
| | | DRAWN - | REVISED - |
| | | SLW | SLW |
| | | CHECKED - | REVISED - |
| | | TLC | TLC |
| | | DATE - | REVISED - |
| | | 2011-06-20 | 2010-06-11 |

STATE OF ILLINOIS
DEPARTMENT OF TRANSPORTATION

DETAILS

SCALE: SHEET NO. 4 OF 6 SHEETS STA. 22+29.00 TO STA. 25+06.39

| | | | | |
|------------------------------------|----------------|--------|-----------------|--------------|
| F.A.U. RTE. | SECTION | COUNTY | TOTAL SHEETS | SHEET NO. |
| 9302 | 06-00045-00-SW | MONROE | 24 | 15 |
| CONTRACT NO. 97468 | | | | |
| COLUMBIA ILLINOIS FED. AID PROJECT | | | | |