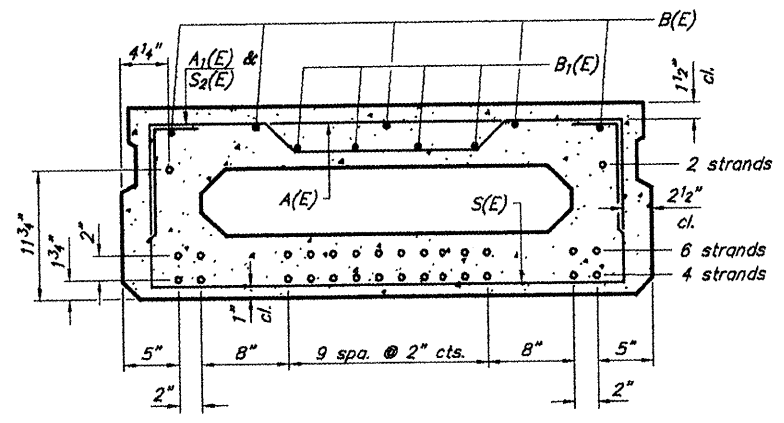
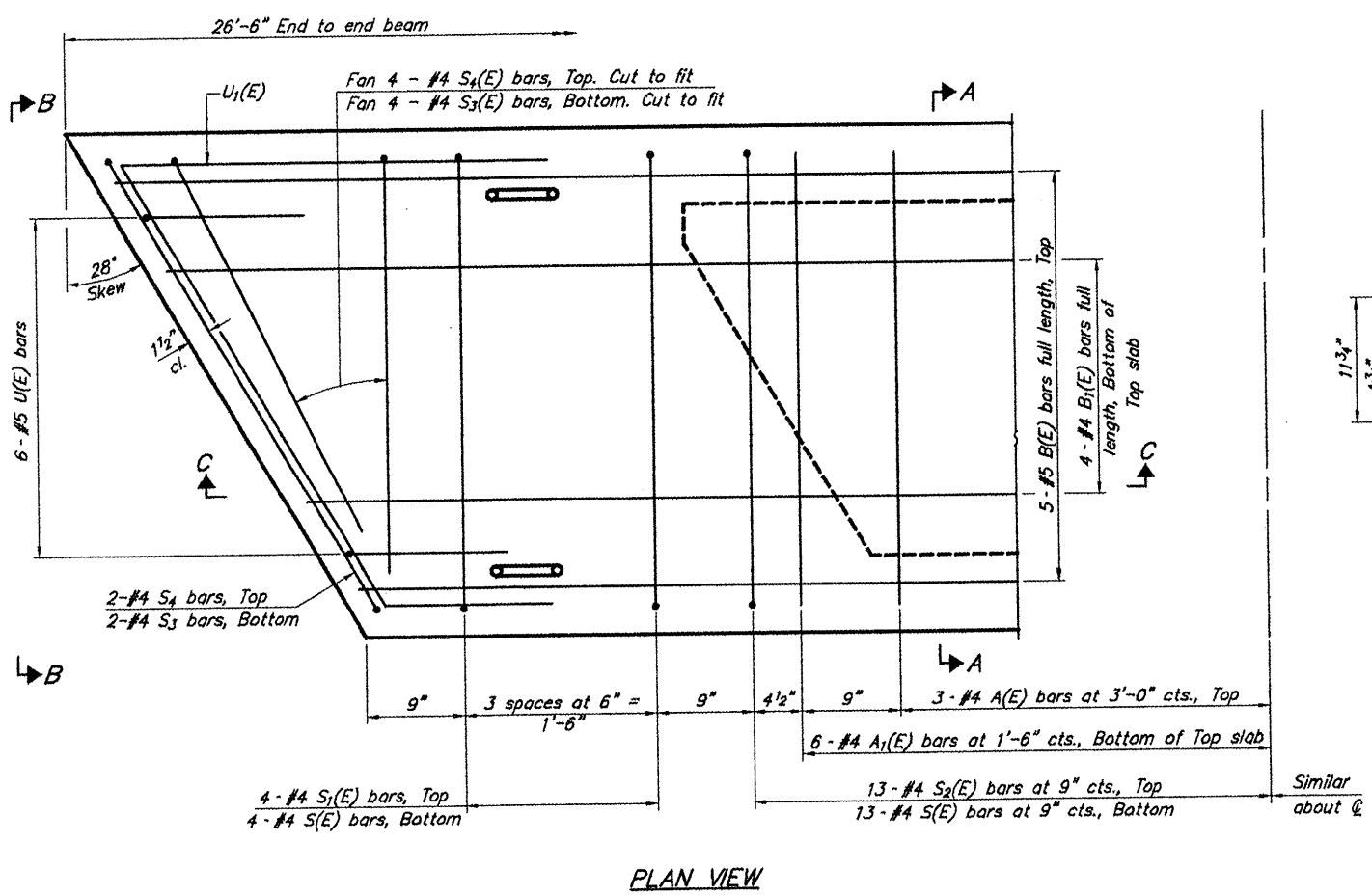
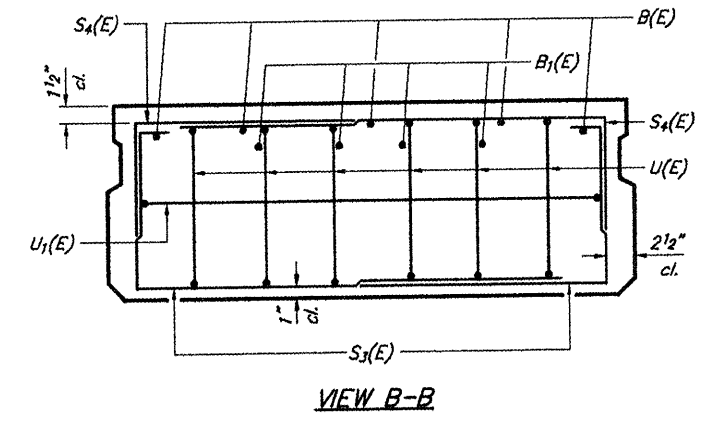
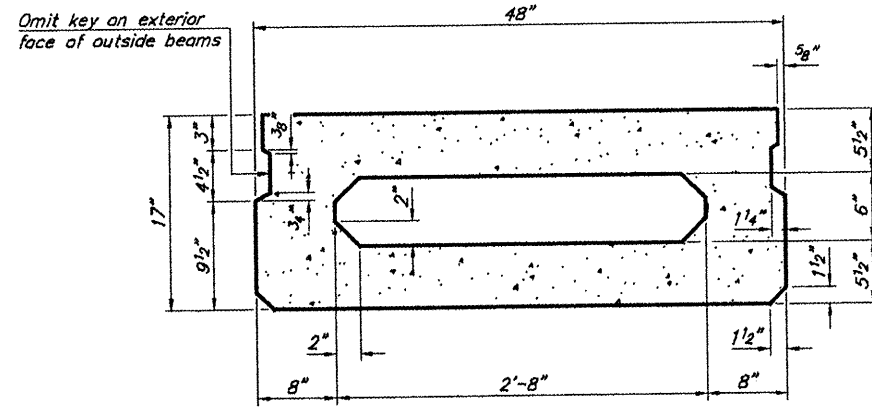
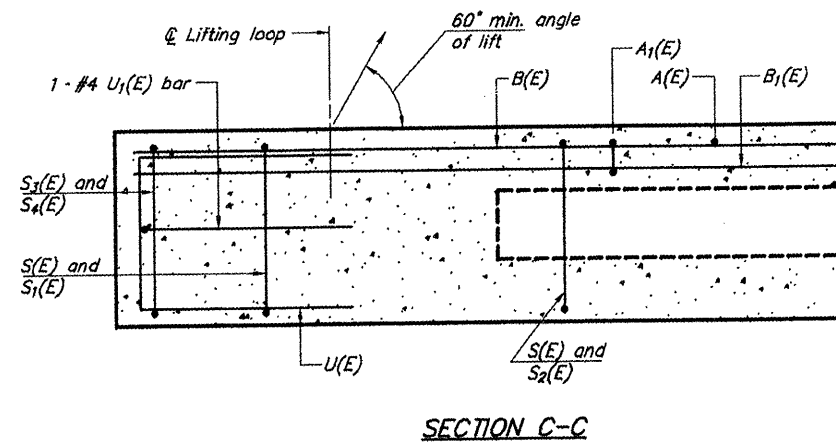


ROUTE	SECTION	COUNTY	TOTAL SHEETS	SHEET NO
TR 23	09-01181-00-BR	PULASKI	13	4
PROJECT NO. BROS-153(31)		CONTRACT NO. 99421		



BAR LIST
ONE BEAM ONLY
(For information only)

Bar	No.	Size	Length	Shape
A(E)	6	#4	3'-7"	—
A1(E)	12	#4	3'-10"	—
B(E)	5	#5	26'-1"	—
B1(E)	4	#4	26'-1"	—
S(E)	34	#4	6'-9"	□
S1(E)	8	#4	5'-3"	□
S2(E)	26	#4	5'-6"	□
S3(E)	12	#4	4'-6"	□
S4(E)	12	#4	3'-9"	□
U(E)	12	#5	3'-8"	□
U1(E)	2	#4	8'-4"	□

SECTION A-A
(Showing reinforcement and permissible strand locations)
Note: Place the number of strands specified in each row symmetrically about the centerline of beam in the permissible strand locations shown.

PLAN VIEW
Note: Spacing of S(E) and S2(E) bars may be adjusted up to 4" in the immediate area of the transverse tie diaphragms to miss the block outs for the transverse ties.

17" X 48" PPC DECK BEAM
SPANS 1 AND 3
TOWNSHIP ROUTE 23 (ELCO ROAD)
INDIAN CAMP CREEK
SECTION 09-01181-00-BR
PULASKI COUNTY
STRUCTURE NO. 077-3141