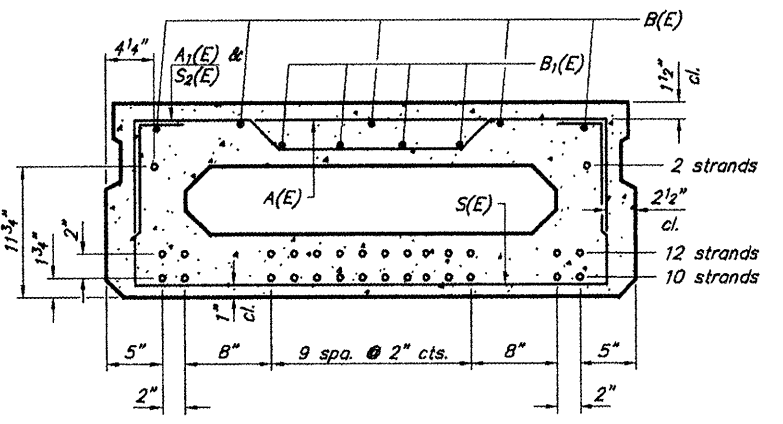
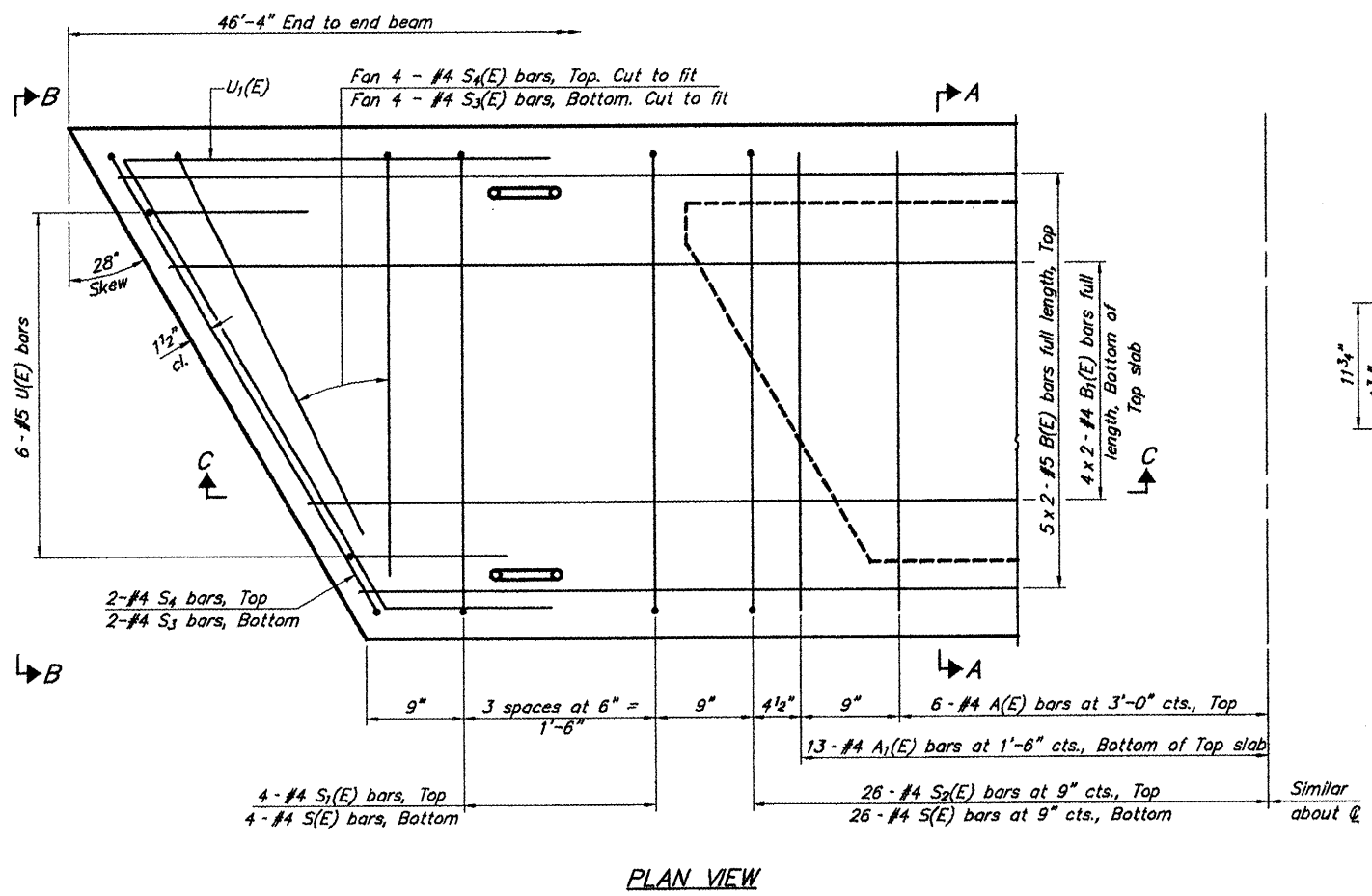
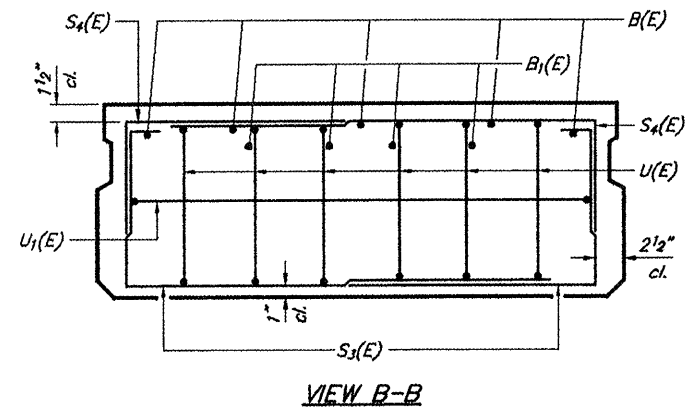
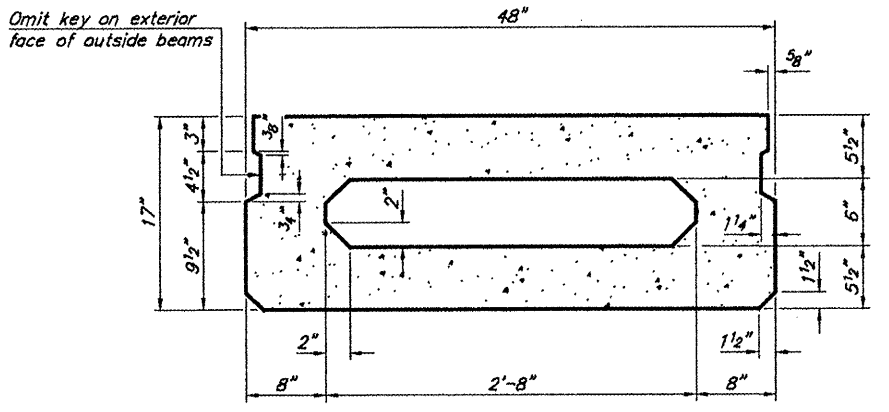
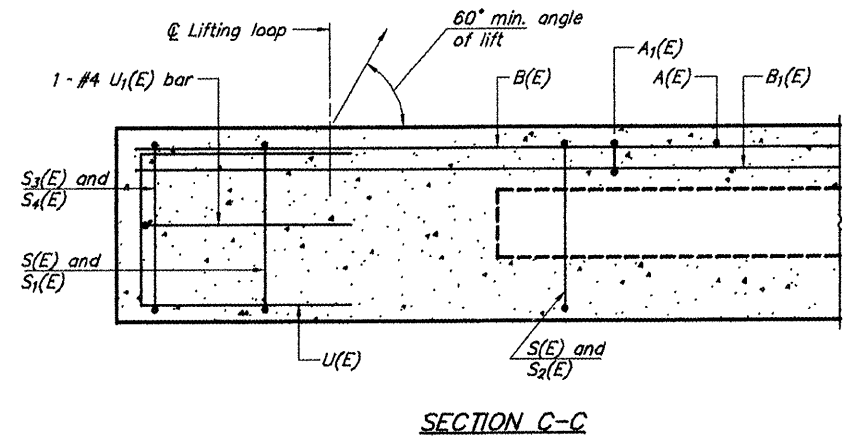


ROUTE	SECTION	COUNTY	TOTAL SHEETS	SHEET NO
TR 23	09-01181-00-BR	PULASKI	13	6
PROJECT NO. BROS-153(31)			CONTRACT NO. 99421	



**BAR LIST**  
**ONE BEAM ONLY**  
(For information only)

Bar	No.	Size	Length	Shape
A(E)	12	#4	3'-7"	—
A1(E)	26	#4	3'-10"	—
B(E)	10	#5	24'-1"	—
B1(E)	8	#4	23'-10"	—
S(E)	60	#4	6'-9"	⌋
S1(E)	8	#4	5'-3"	⌋
S2(E)	52	#4	5'-6"	⌋
S3(E)	12	#4	4'-6"	⌋
S4(E)	12	#4	3'-9"	⌋
U(E)	12	#5	3'-8"	⌋
U1(E)	2	#4	8'-4"	⌋

Bar Laps #4 bars = 1'-8"  
#5 bars = 2'-2"

17" X 48" PPC DECK BEAM  
SPAN 2  
TOWNSHIP ROUTE 23 (ELCO ROAD)  
INDIAN CAMP CREEK  
SECTION 09-01181-00-BR  
PULASKI COUNTY  
STRUCTURE NO. 077-3141