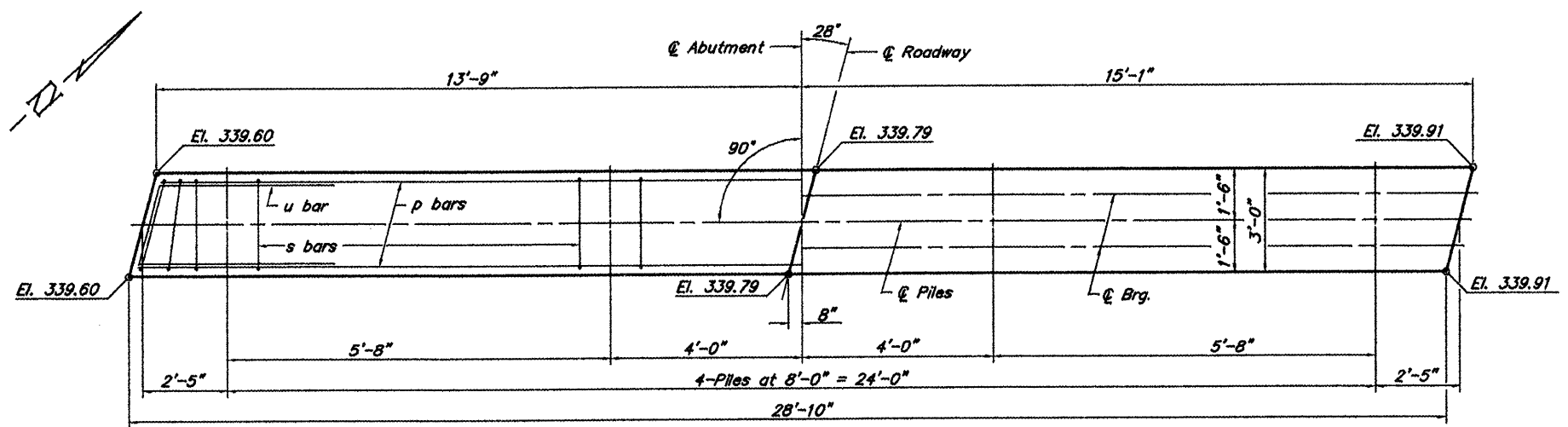
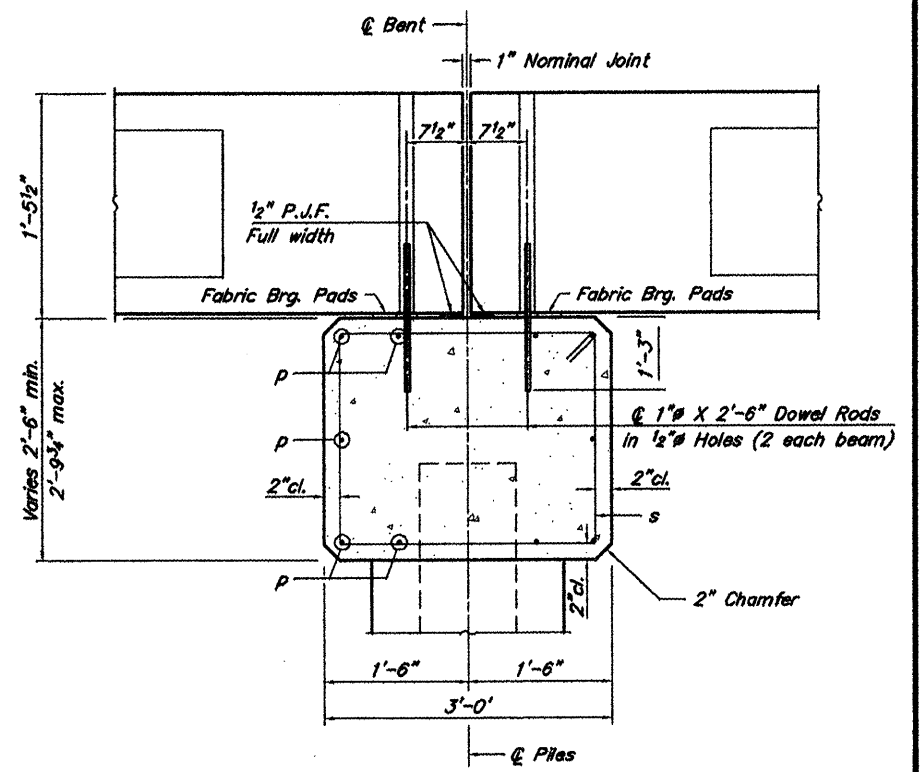


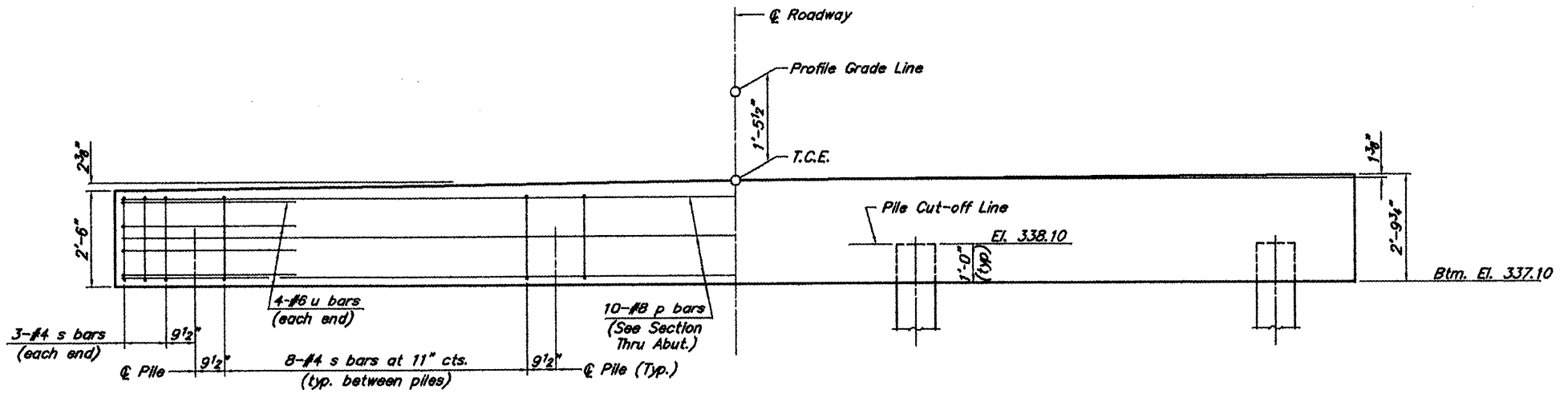
ROUTE	SECTION	COUNTY	TOTAL SHEETS	SHEET NO
TR 23	09-01181-00-BR	PULASKI	13	9
PROJECT NO. BROS-153(31)		CONTRACT NO. 99421		



PLAN



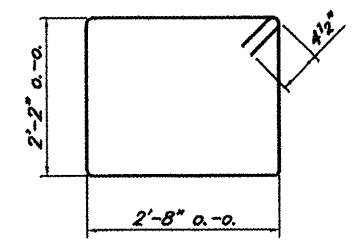
SECTION THRU PIER
(At Right Angles)



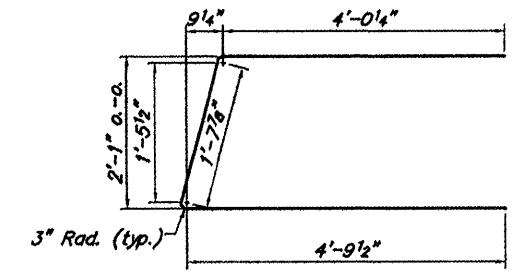
ELEVATION

BILL OF MATERIAL
FOR ONE PIER

Bar	No.	Size	Length	Shape
p	10	#8	28'-6"	—
s	30	#4	10'-5"	□
u	8	#6	11'-3"	□
Class 'X' Concrete			8.6	Cu. Yds.
Reinforcement Bars			1107	Lbs.



Bar s



Bar u

DESIGN STRESSES

$f_c' = 3,500$ psi
 $f_y = 60,000$ psi

NOTE

Reinforcement bars shall conform to A.A.S.H.T.O. M-31, M-42 or M-53, Grade 60.

PIER
TOWNSHIP ROUTE 23 (ELCO ROAD)
INDIAN CAMP CREEK
SECTION 09-01181-00-BR
PULASKI COUNTY
STRUCTURE NO. 077-3141