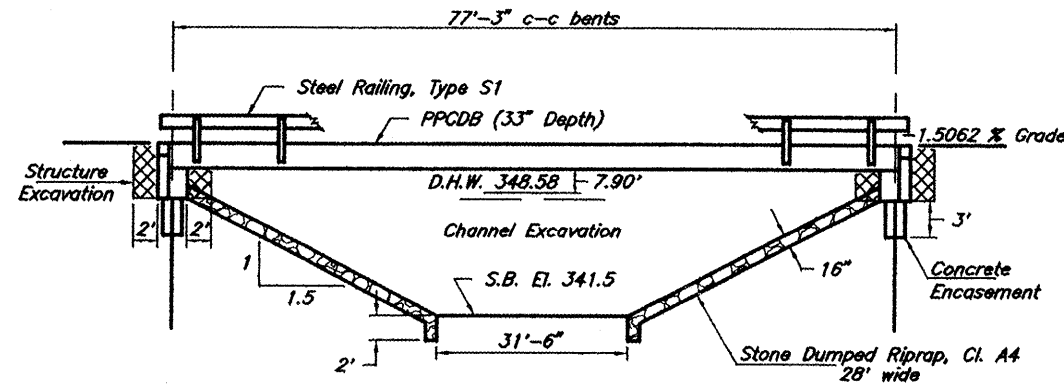


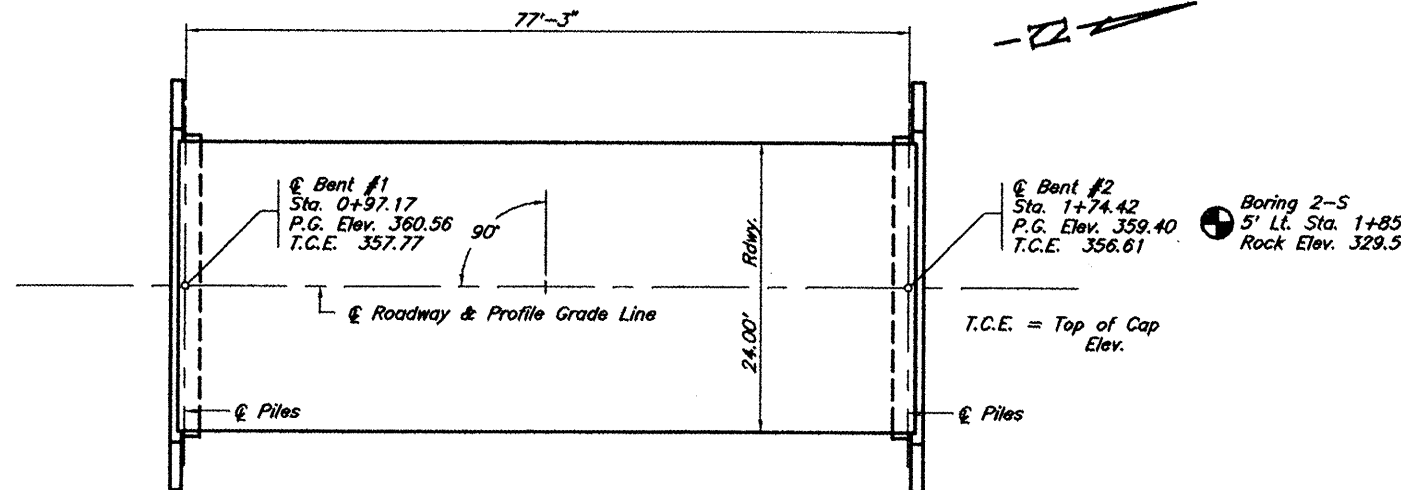
B.M. - RR Spike in PP
24' Rt. Sta. 2+24
Assumed Elev. 358.00

ROUTE	SECTION	COUNTY	TOTAL SHEETS	SHEET NO.
CH 17	06-00142-00-BR	SALINE	10	3
PROJECT NO. BROS-165(28)			CONTRACT NO. 99449	



ELEVATION

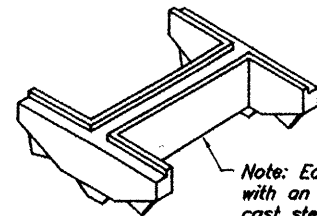
Existing Structure - Timber deck on steel stringers with closed timber pile bent abutments. 20.2' W x 52.2' L



PLAN

PILE DATA (2-ABUTS.)

Type & Size : HP10X42
Nominal Required Bearing : 312 kips
Factored Resistance Available : 147 kips
Estimated Length : 29 Feet
Number Required : 10



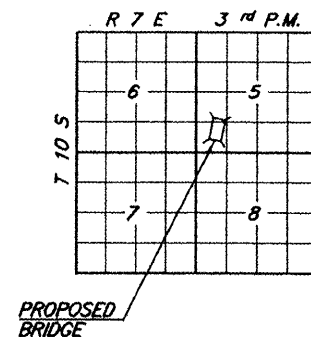
Note: Each pile shall be provided with an "APF HardBite" point or cast steel alternate, of the proper size, subject to approval of the Engineer.

PILE SHOES
South Abutment only

STATION 1+35.80
SEC. 06-00142-00-BR BUILT 20
SALINE COUNTY
LOADING HL-93
STR. NO. 083-3235

LETTERING FOR NAME PLATE

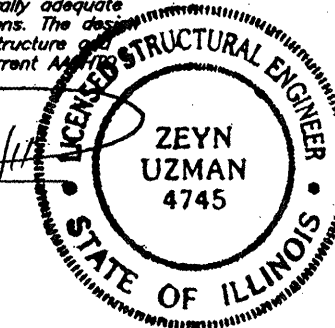
Locate Name Plate at Southeast Corner of Bridge (See Sheet 8)



LOCATION SKETCH

I certify that to the best of my knowledge, information and belief, this bridge design is structurally adequate for the design loading shown on the plans. The design is an economical one for the type of structure and complies with the requirements of the current AASHTO LRFD Specifications.

4/25/11
ZEYN B. UZMAN
S.E. #81-4745
Expires Nov. 30, 2012



GENERAL NOTES

- Steel H piles shall meet AASHTO M270 Grade 50 specifications.
- See special provisions for boring logs.
- A Corrosion inhibitor, as covered in the Standard Specifications, shall be used in the precast prestressed concrete deck beams.

TOTAL BILL OF MATERIAL

Item	Unit	Super	Sub.		Total
			Piers	Abuts.	
Channel Excavation	Cu. Yds.		124		124
Stone Dumped Riprap, Cl. A4	Tons		160		160
Removal of Existing Structures	Each			1	1
Structure Excavation	Cu. Yds.			77	77
Concrete Structures	Cu. Yds.			20.0	20
Concrete Encasement	Cu. Yds.			3.4	3.4
P.P. Conc. Dk. Brn. 33" Dp.	Sq. Ft.	1,876			1,876
Reinforcement Bars	Pound			2,526	2,526
Steel Railing, Type S1	Foot	160			160
Furnishing Steel Piles HP10X42	Foot			290	290
Driving Piles	Foot			290	290
Pile Shoes	Each			5	5
Name Plates	Each			1	1

WATERWAY INFORMATION

Drainage Area = 3.51 Sq. Mi. Low Grade Elev. = 358.58 At Sta. 2+50

Flood	Freq. Yr.	Q C.F.S.	Opening Sq. Ft.		Natural Head-Ft.		Headwater El.		
			Exist.	Prop.	H.W.E. Exist.	Prop.	Exist.	Prop.	
Design	15	1,950	264.4	348.6	348.58	0.86	0.37	349.44	348.95
Base	100	3,370	377.6	426.9	350.87	1.76	0.93	352.63	351.80
Overtopping									
Max. Calc.	500	4,800	456.1	525.4	352.46	3.22	1.81	355.68	354.27

GENERAL PLAN & ELEVATION
COUNTY HIGHWAY 17 (HORSESHOE ROAD)
TRIBUTARY TO SOUTH FORK SALINE RIVER
SECTION 06-00142-00-BR
SALINE COUNTY
STRUCTURE NO. 083-3235