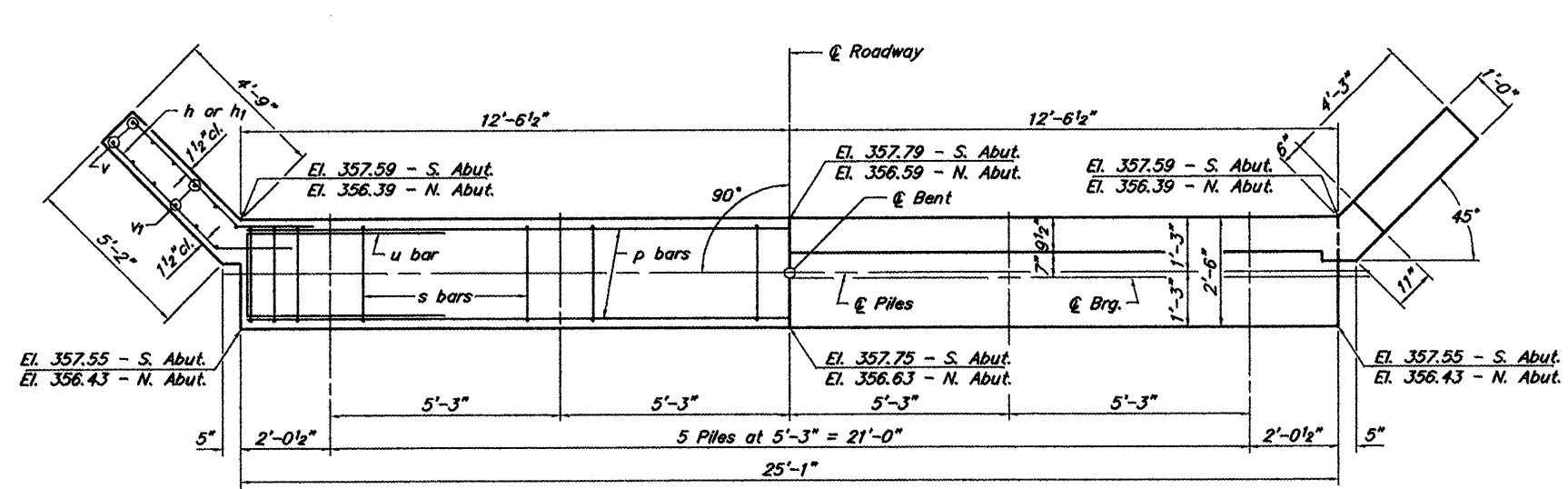
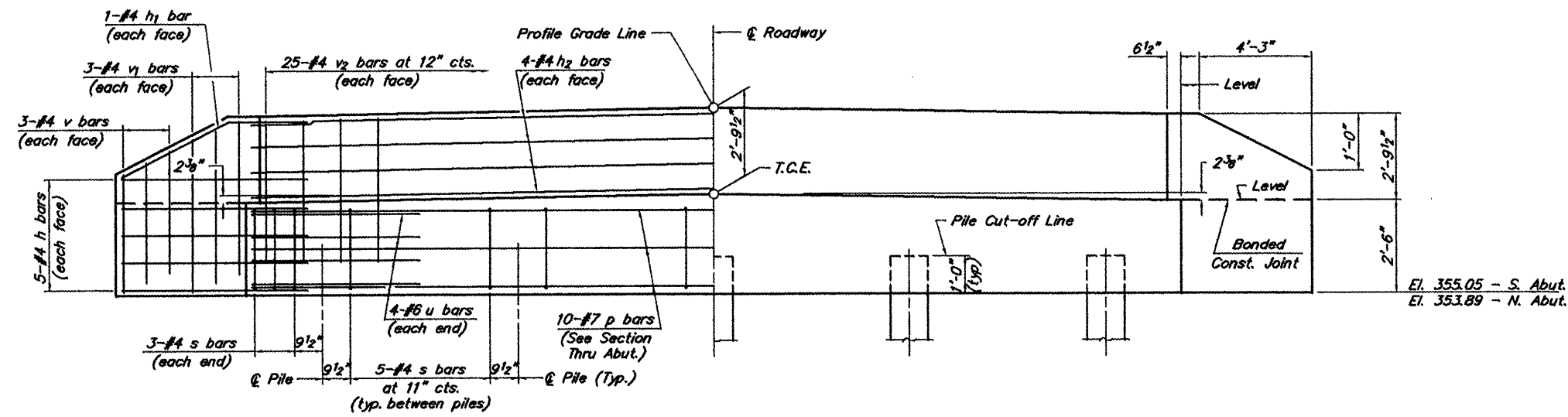


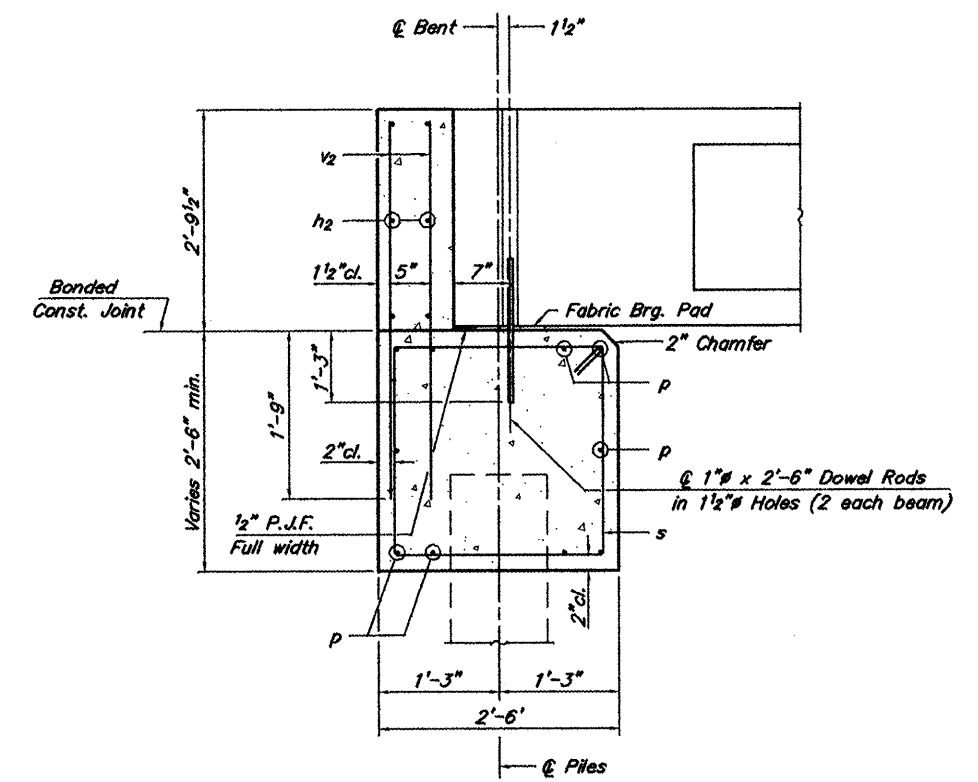
ROUTE	SECTION	COUNTY	TOTAL SHEETS	SHEET NO
CH 17	06-00142-00-BR	SALINE	10	6
PROJECT NO. BROS-165(28)			CONTRACT NO. 99449	



PLAN



ELEVATION



SECTION THRU ABUT.
(At Right Angles)

BAR LIST FOR ONE ABUTMENT

Bar	No.	Size	Length	Shape
h	16	#4	6'-9"	—
h ₁	4	#4	6'-9"	—
h ₂	8	#4	24'-9"	—
p	10	#7	24'-9"	—
s	26	#4	9'-5"	□
u	8	#6	11'-1"	—
v	12	#4	4'-2"	—
v ₁	12	#4	4'-10"	—
v ₂	50	#4	4'-5"	—

QUANTITIES FOR ONE ABUTMENT

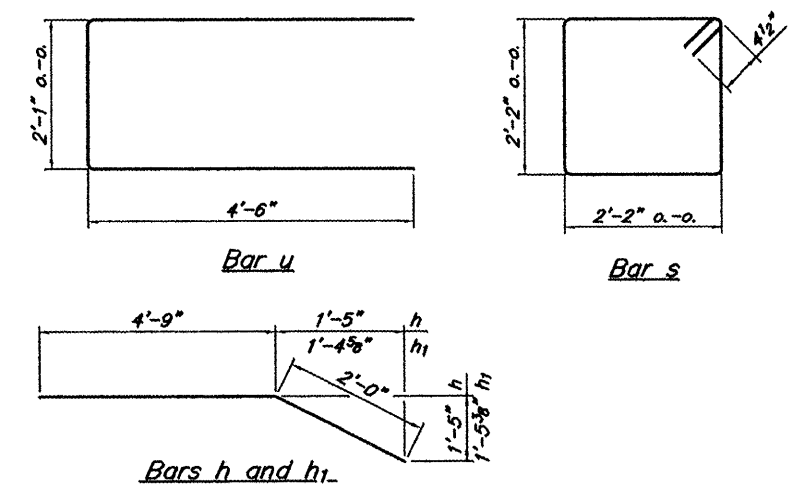
Concrete Structures	10.0	Cu. Yds.
Reinforcement Bars	1,263	Lbs.

NOTES

- The Backwall and the portion of the Wingwalls above the bonded construction joint shall be cast against the in-place beam.
- Reinforcement bars shall conform to A.A.S.H.T.O. M-31, M-42 or M-53, Grade 60.

DESIGN STRESSES

$f_c' = 3,500$ psi
 $f_y = 60,000$ psi



ABUTMENT
COUNTY HIGHWAY 17 (HORSESHOE ROAD)
TRIBUTARY TO SOUTH FORK SALINE RIVER
SECTION 06-00142-00-BR
SALINE COUNTY
STRUCTURE NO. 083-3235