

STATE OF ILLINOIS
DEPARTMENT OF TRANSPORTATION

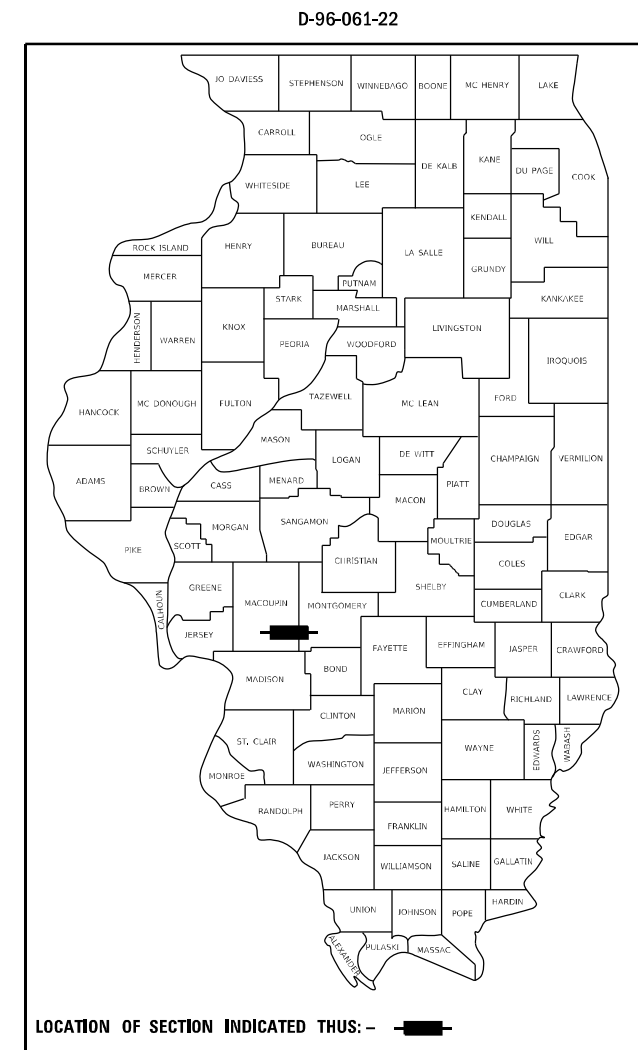
F.A.I. RTE.	SECTION	COUNTY	TOTAL SHEETS	SHEET NO.
55	(59-1HB-2)BDR	MACOUPIN	6	1
		ILLINOIS	CONTRACT NO. 72012	

FOR INDEX OF SHEETS, SEE SHEET NO. 2

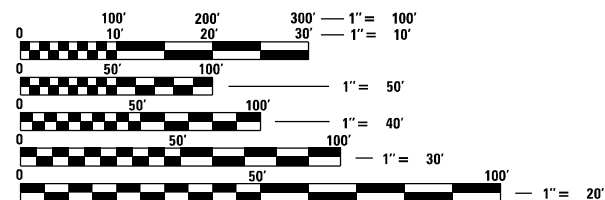
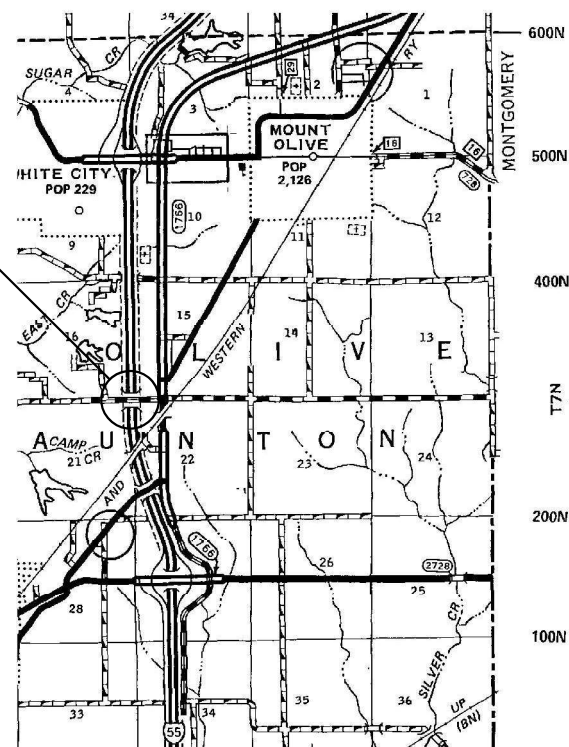
PROPOSED CONTRACT MAINTENANCE

FAI ROUTE 55 (I-55)
SECTION (59-1HB-2)BDR
PROJECT (STATE ONLY)
BRIDGE DECK PATCHING
MACOUPIN COUNTY

C-96-079-22



PROJECT LOCATION
SN 059-0042
TR 457 OVER I-55
2.0 MI S IL 138



FULL SIZE PLANS HAVE BEEN PREPARED USING STANDARD ENGINEERING SCALES. REDUCED SIZED PLANS WILL NOT CONFORM TO STANDARD SCALES. IN MAKING MEASUREMENTS ON REDUCED PLANS, THE ABOVE SCALES MAY BE USED.

J.U.L.I.E.
JOINT UTILITY LOCATION INFORMATION FOR EXCAVATION
1-800-892-0123
OR 811

BRIDGE MAINTENANCE ENGINEER: BRANDON DUDLEY – (217) 785-9290

GROSS LENGTH = 250 FT. = 0.05 MILE
NET LENGTH = 250 FT. = 0.05 MILE

CONTRACT NO. 72012

STATE OF ILLINOIS
DEPARTMENT OF TRANSPORTATION

SUBMITTED May 9 2022

John P. Meyer
REGIONAL ENGINEER

July 1, 2022 *Jack A. Etk*
ENGINEER OF DESIGN AND ENVIRONMENT

July 1, 2022 *Stephen M. Smith*
DIRECTOR OF HIGHWAYS PROJECT IMPLEMENTATION

PRINTED BY THE AUTHORITY
OF THE STATE OF ILLINOIS

INDEX OF SHEETS

- 1 COVER SHEET
- 2 INDEX, STANDARDS, SIGNATURES, & GENERAL NOTES
- 3 SUMMARY OF QUANTITIES
- 4-6 SN 059-0042 BRIDGE PLANS

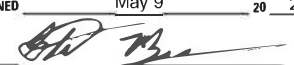
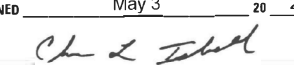
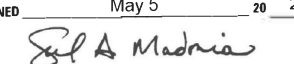
STANDARDS

- 000001-08
- 001001-02
- 001006
- 701001-02
- 701006-05
- 701101-05
- 701106-02
- 701201-05
- 701301-04
- 701316-13
- 701400-11
- 701401-13
- 701428-01
- 701901-08

GENERAL NOTES:

AREAS OF DECK REPAIRS SHOWN ARE ESTIMATED. THE ENGINEER SHALL SHOW ACTUAL LOCATIONS ON AS-BUILT PLANS.

FULL DEPTH PATCHES SHALL BE COVERED WITH STEEL PLATES WHEN WORKERS ARE NOT PRESENT.

STATE OF ILLINOIS DEPARTMENT OF TRANSPORTATION DIVISION OF HIGHWAYS DISTRICT 6	
EXAMINED	May 9 20 22
	
ENGINEER OF OPERATIONS	
EXAMINED	May 3 20 22
	
ENGINEER OF PROJECT IMPLEMENTATION	
EXAMINED	May 5 20 22
	
ENGINEER OF PROGRAM DEVELOPMENT	

REV. - MS

MODEL: Default
FILE: Macoupin_Sn0590042BridgePlans_CAD172012_0590001_BatchIndexPlans.dgn

	USER NAME = dudleybm	DESIGNED -	REVISED -	STATE OF ILLINOIS DEPARTMENT OF TRANSPORTATION	INDEX OF SHEETS, GENERAL NOTES, HIGHWAY STANDARDS, & SIGNATURES	F.A.I. RTE.	SECTION	COUNTY	TOTAL SHEETS	SHEET NO.	
		DRAWN -	REVISED -			55	(59-1HB-2)BDR	MACOUPIN	6	2	
	PLOT SCALE = 100.0000' / in.	CHECKED -	REVISED -			CONTRACT NO. 72012					
	PLOT DATE = 5/9/2022	DATE -	REVISED -			SCALE:		SHEET OF SHEETS		STA. TO STA.	

0-02177-6016
 SN 059-0042
 100% STATE
 BRIDGE/RURAL
 0047
 MACOUPIN

CODE NO.	ITEM	UNIT	TOTAL QUANTITY	
50300300	PROTECTIVE COAT	SQ YD	106	106
67100100	MOBILIZATION	L SUM	1	1
70100100	TRAFFIC CONTROL AND PROTECTION, STANDARD 701316	EACH	1	1
70100450	TRAFFIC CONTROL AND PROTECTION, STANDARD 701201	L SUM	1	1
70100800	TRAFFIC CONTROL AND PROTECTION, STANDARD 701401	L SUM	1	1
70106500	TEMPORARY BRIDGE TRAFFIC SIGNALS	EACH	1	1
70107025	CHANGEABLE MESSAGE SIGNS	CAL DAY	30	30
70200100	NIGHTTIME WORK ZONE LIGHTING	L SUM	1	1
Z0016002	DECK SLAB REPAIR (FULL DEPTH, TYPE II)	SQ YD	6	6
Z0016200	DECK SLAB REPAIR (PARTIAL)	SQ YD	100	100
Z0021906	SILICONE JOINT SEALER, 1.5"	FOOT	64	64
Z0032500	JOINT SEALING (PATCHES)	FOOT	900	900

MODEL Path: \\s:\bids\Bids\Bids\Bids\CAD\72012 - 0590042\batching\batchsheet.dgn
 FILE NAME: \\s:\bids\Bids\Bids\Bids\CAD\72012 - 0590042\batching\batchsheet.dgn

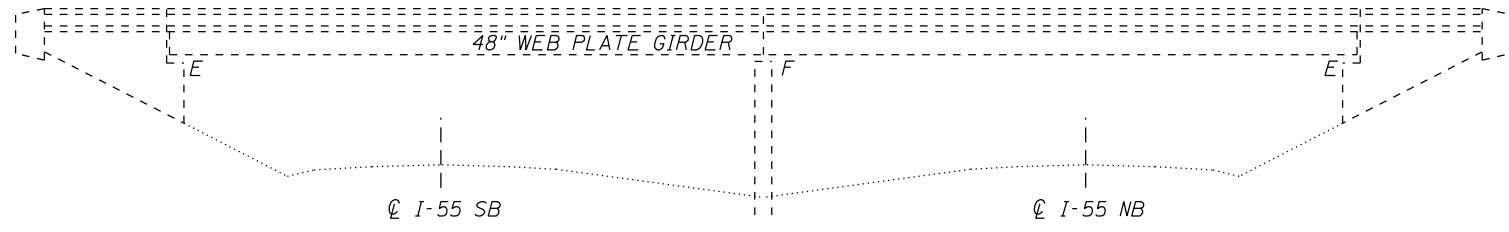
USER NAME = dudleybm	DESIGNED -	REVISED -
	DRAWN -	REVISED -
PLOT SCALE = 100,0000 ' / in.	CHECKED -	REVISED -
PLOT DATE = 5/9/2022	DATE -	REVISED -

**STATE OF ILLINOIS
 DEPARTMENT OF TRANSPORTATION**

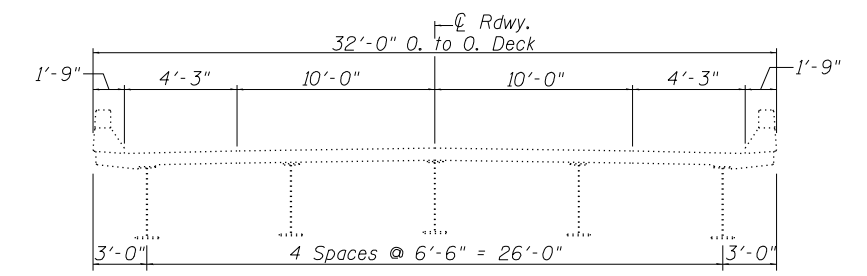
SUMMARY OF QUANTITIES

SCALE: SHEET OF SHEETS STA. TO STA.

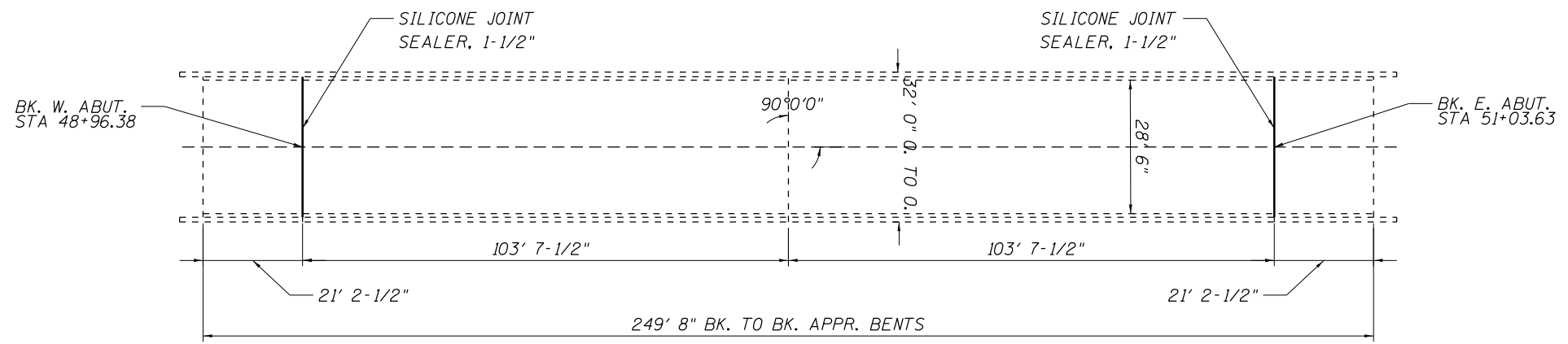
F.A.I. RTE.	SECTION	COUNTY	TOTAL SHEETS	SHEET NO.
55	(59-1HB-2)BDR	MACOUPIN	6	3
			CONTRACT NO. 72012	
		ILLINOIS	FED. AID PROJECT	



ELEVATION



DECK CROSS SECTION



PLAN



Expires 11/30/2022
James F. Schiff

TOTAL BILL OF MATERIAL (059-0042)

ITEM	UNIT	QUANTITY
Deck Slab Repair (Partial)	Sq. Yd.	100
Deck Slab Repair (Full Depth, Type II)	Sq. Yd.	6
Joint Sealing (Patches)	Foot	900
Silicone Joint Sealer 1-1/2"	Foot	64
Protective Coat	Sq. Yd.	106

STRUCTURE GENERAL NOTES:

PRIOR TO POURING THE NEW CONCRETE PATCHES, ALL HEAVY OR LOOSE MILL SCALE AND OTHER LOOSE OR POTENTIALLY DETRIMENTAL FOREIGN MATERIAL SHALL BE REMOVED FROM THE SURFACES IN CONTACT WITH CONCRETE. TIGHTLY ADHERED PAINT MAY REMAIN UNLESS OTHERWISE NOTED. REMOVAL SHALL BE ACCOMPLISHED BY METHODS THAT WILL NOT DAMAGE THE STEEL AND THE COST WILL BE INCLUDED IN CONCRETE REMOVAL.

PLAN DIMENSIONS AND DETAILS RELATIVE TO EXISTING PLANS ARE SUBJECT TO NOMINAL CONSTRUCTION VARIATIONS. THE CONTRACTOR SHALL FIELD VERIFY EXISTING DIMENSIONS AND DETAILS AFFECTING NEW CONSTRUCTION AND MAKE NECESSARY APPROVED ADJUSTMENTS PRIOR TO CONSTRUCTION OR ORDERING OF MATERIALS. SUCH VARIATIONS SHALL NOT BE CAUSE FOR ADDITIONAL COMPENSATION FOR A CHANGE IN THE SCOPE OF WORK, HOWEVER, THE CONTRACTOR WILL BE PAID FOR THE QUANTITY ACTUALLY FURNISHED AT THE UNIT PRICE BID FOR THE WORK.

EXISTING REINFORCEMENT BARS EXTENDING INTO THE REMOVAL AREA SHALL BE CLEANED, STRAIGHTENED, AND INCORPORATED INTO THE NEW CONSTRUCTION. ANY REINFORCEMENT BARS THAT ARE DAMAGED DURING CONCRETE REMOVAL SHALL BE REPLACED WITH AN APPROVED BAR SPLICER OR ANCHORAGE SYSTEM. COST INCLUDED WITH CONCRETE REMOVAL.

MODEL: D:\dud\11... FILE NAME: S:\Addresses\Bridges\plans_CAD\72012_0590042_patch\brn\brnsheet.dgn

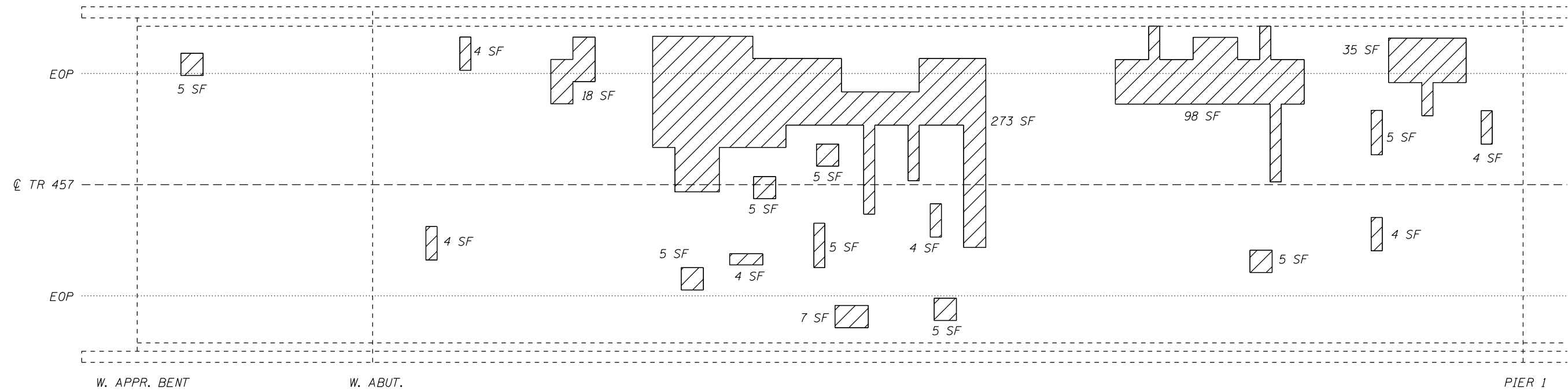
USER NAME = dudleybm	DESIGNED - BRANDON DUDLEY	REVISED -
DRAWN - BRANDON DUDLEY	REVISIONS -	
PLOT SCALE = 100,0000' / in.	CHECKED -	REVISED -
PLOT DATE = 6/29/2022	DATE - 4/13/2022	REVISED -

**STATE OF ILLINOIS
DEPARTMENT OF TRANSPORTATION**

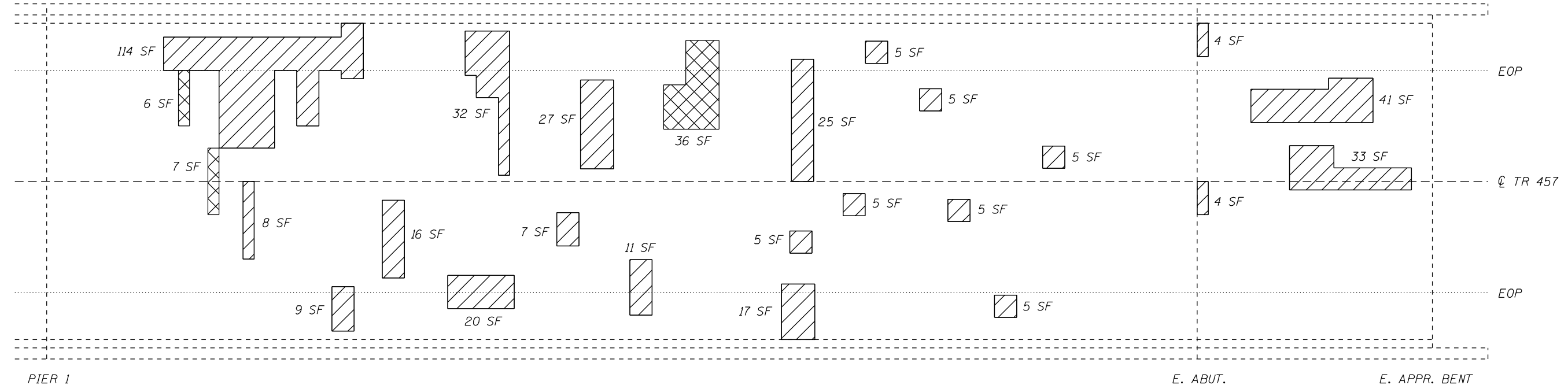
**BRIDGE PLAN & ELEVATION
SN 059-0042**

SCALE: SHEET 1 OF 3 SHEETS STA. TO STA.

F.A.I. RTE.	SECTION	COUNTY	TOTAL SHEETS	SHEET NO.
55	(59-1HB-2)BDR	MACOUPIN	6	4
ILLINOIS FED. AID PROJECT			CONTRACT NO. 72012	



PARTIAL PLAN



PARTIAL PLAN

NOTES:

IDENTIFIED PATCHING LOCATIONS ARE ESTIMATED FROM A DECK SURVEY PERFORMED ON 12/22/2021. THE PATCHING SURVEY IS INCLUDED FOR INFORMATION ONLY. THE ENGINEER SHALL LAY OUT ACTUAL PATCH LOCATIONS IN THE FIELD.

THE ENGINEER SHALL SHOW ACTUAL LOCATIONS OF DECK REPAIRS ON AS-BUILT PLANS.

FULL DEPTH PATCHING LOCATIONS MAY BE OMITTED IF SOUND CONCRETE IS ENCOUNTERED.

JOINT SEALING (PATCHES) SHALL BE APPLIED IN LOCATIONS AS DIRECTED IN THE SPECIAL PROVISIONS.

- DECK SLAB REPAIR (PARTIAL)
- DECK SLAB REPAIR (FULL DEPTH)

SLAB REPAIR BILL OF MATERIAL

ITEM	UNIT	QUANTITY
Deck Slab Repair (Partial)	Sq. Yd.	100
Deck Slab Repair (Full Depth, Type II)	Sq. Yd.	6
Joint Sealing (Patches)	Foot	900

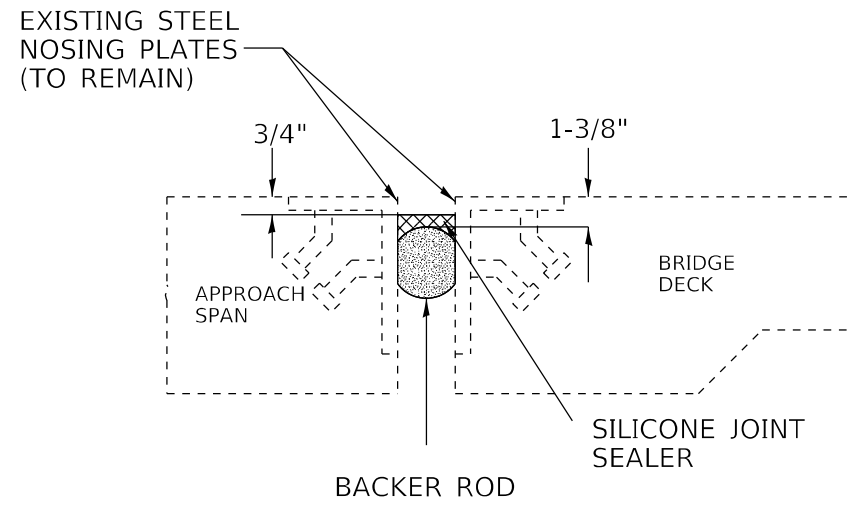
MODEL: Default
FILE NAME: S:\Addresses\Bridges\BDR_CAD\72012_0590042_Patching\slabrepair.dgn

USER NAME = dudleybm	DESIGNED -	REVISED -
PLOT SCALE = 100,0000' / in.	DRAWN -	REVISED -
PLOT DATE = 5/9/2022	CHECKED -	REVISED -
	DATE -	REVISED -

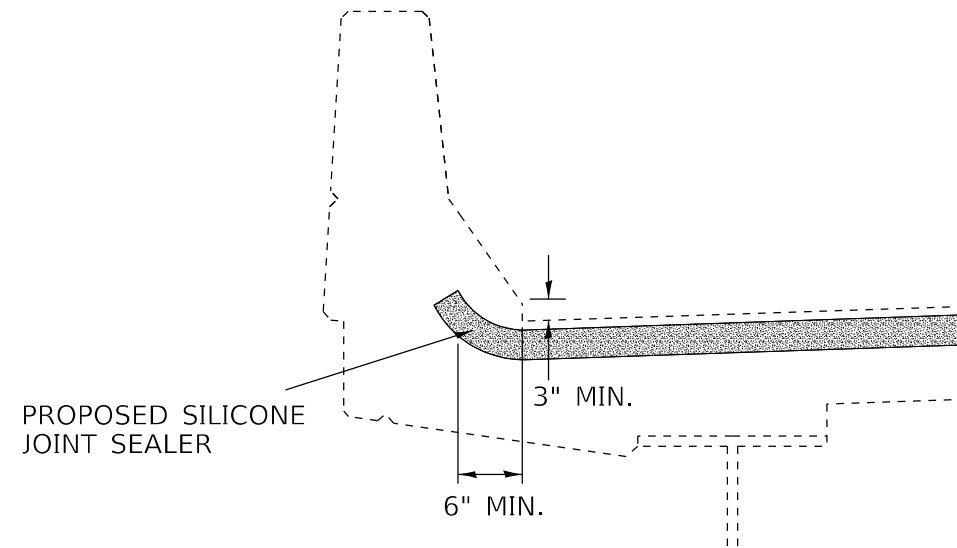
**STATE OF ILLINOIS
DEPARTMENT OF TRANSPORTATION**

SLAB REPAIR DETAIL	
SN 059-0042	
SCALE:	SHEET 2 OF 3 SHEETS STA. TO STA.

F.A.I. RTE.	SECTION	COUNTY	TOTAL SHEETS	SHEET NO.
55	(59-1HB-2)BDR	MACOUPIN	6	5
ILLINOIS FED. AID PROJECT			CONTRACT NO. 72012	



TYPICAL JOINT CROSS SECTION



TYPICAL PARAPET CROSS SECTION:
SILICONE JOINT SEALER END TREATMENT

NOTES:

- JOINT WIDTHS SPECIFIED IN PLANS ARE AT 50° F. THE CONTRACTOR SHALL INSTALL BACKER ROD HAVING A DIAMETER 25% GREATER THAN THE JOINT OPENING AT THE TIME OF INSTALLATION.
- THE COST OF REMOVING AND DISPOSING OF EXISTING JOINT SEAL MATERIAL SHALL BE INCLUDED IN THE BID PRICE FOR SILICONE JOINT SEALER.

JOINT REPAIR (059-0042)

ITEM	UNIT	QUANTITY
Silicone Joint Sealer 1-1/2"	Foot	64

MODEL: Default
 FILE NAME: S:\Bids\Bids\Bids\Bids\CAD\72012 - 0590042\batching\batchsheet.dgn

USER NAME = dudleybm	DESIGNED -	REVISED -
PLOT SCALE = 100,0000' / in.	DRAWN -	REVISED -
PLOT DATE = 5/9/2022	CHECKED -	REVISED -
	DATE -	REVISED -

**STATE OF ILLINOIS
DEPARTMENT OF TRANSPORTATION**

**JOINT REPAIR DETAIL
SN 059-0042**

SCALE: SHEET 3 OF 3 SHEETS STA. TO STA.

F.A.I. RTE.	SECTION	COUNTY	TOTAL SHEETS	SHEET NO.
55	(59-1HB-2)BDR	MACOUPIN	6	6
ILLINOIS FED. AID PROJECT			CONTRACT NO. 72012	