

STATE OF ILLINOIS
DEPARTMENT OF TRANSPORTATION

FAI ROUTE	SECTION	COUNTY	TOTAL SHEETS	SHEET NO.
57	D9 Patch 2022-11	FRA/JEF	14	1
		ILLINOIS	CONTRACT NO. 78956	

FOR INDEX OF SHEETS, SEE SHEET NO. 3
FOR SUMMARY OF QUANTITIES, SEE SHEET NO. 4 & 5

PROPOSED HIGHWAY PLANS

FAI ROUTE 57 (I-57)
SECTION D9 PATCH 2022-11
PATCHING
FRANKLIN /JEFFERSON COUNTY

TRAFFIC DATA:

38,900(2021) WITH 40.7% TRUCKS

STATION EQUATIONS:

242 + 97.43BK = 243 + 00.98AH

200 + 00BK = 200 + 00.70AH

176 + 14.31BK = 176 + 15AH

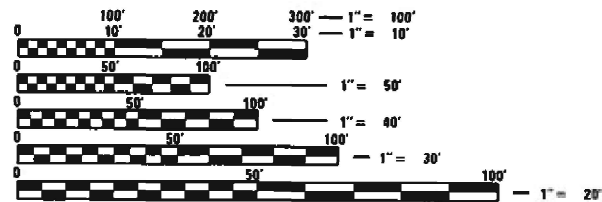
50 + 00BK = 49 + 99.31AH

9 + 78.11BK = 11 + 12.89AH COUNTY LINE (STA. RESET)

62 + 64.51BK = 62 + 65.57AH

267 + 26.69BK = 267 + 27.61AH

POSTED SPEED: 70 MPH



FULL SIZE PLANS HAVE BEEN PREPARED USING STANDARD ENGINEERING SCALES. REDUCED SIZED PLANS WILL NOT CONFORM TO STANDARD SCALES. IN MAKING MEASUREMENTS ON REDUCED PLANS, THE ABOVE SCALES MAY BE USED.

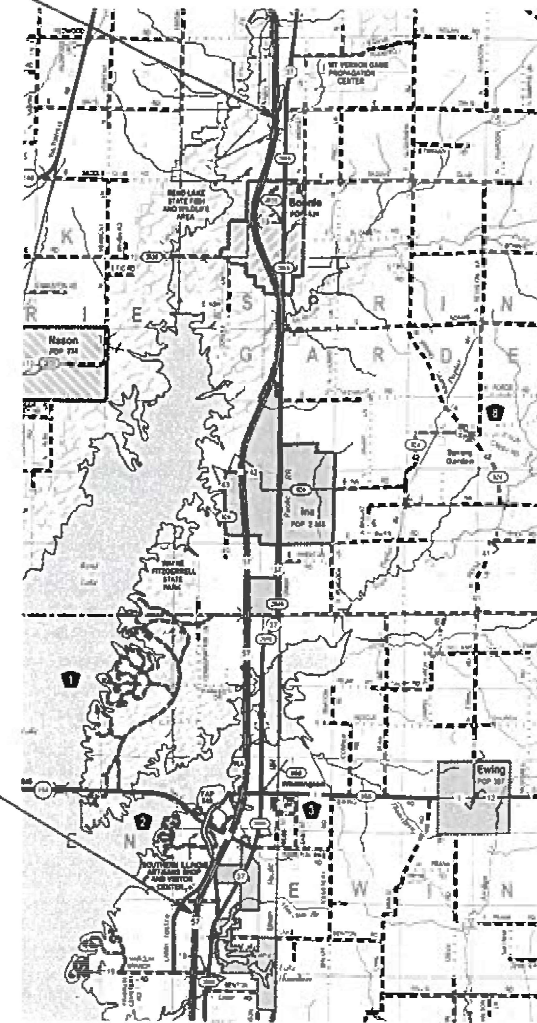
J.U.L.I.E.
JOINT UTILITY LOCATION INFORMATION FOR EXCAVATORS
1-800-892-0123
OR 811

PROJECT ENGINEER: SUSAN POE
PROJECT DESIGNER: JAKE WARREN

CONTRACT NO. 78956

PROJECT ENDS AT MP 87.5
(STA. 374+50) I-57 SB
1.25 MILES NORTH OF
CAMPGROUND ROAD
OVERPASS BRIDGE

C-99-069-22

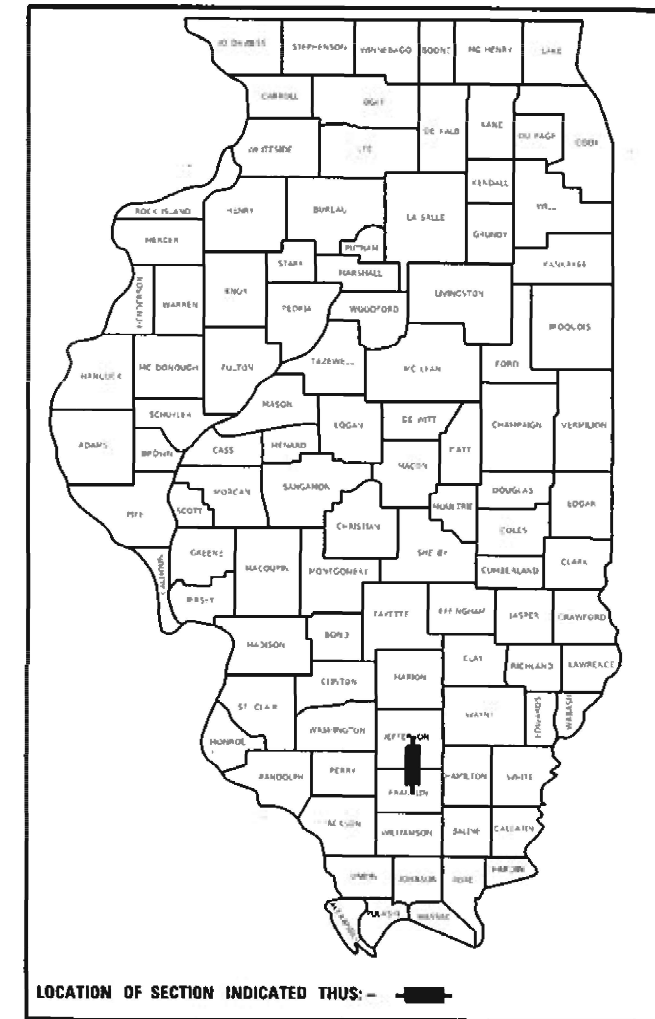


PROJECT BEGINS AT MP 76
(STA. 307+00) I-57 NB
1.5 MILES SOUTH OF IL 154

STATIONING INCREASING
FRANKLIN /JEFFERSON COUNTY LINE
9 + 78.11 BK = 11 + 12.89 AH
STATIONING INCREASING

GROSS LENGTH = 66,061.27 FT. = 12.51 MILE
NET LENGTH = 18,746 FT. = 3.55 MILE

D-99-051-22



LOCATION OF SECTION INDICATED THIS: - [black rectangle]

STATE OF ILLINOIS
DEPARTMENT OF TRANSPORTATION

SUBMITTED May 23 2022
Kirk H. Brown
REGIONAL ENGINEER

July 1, 2022 [Signature]
ENGINEER OF DESIGN AND ENVIRONMENT

July 1, 2022 [Signature]
DIRECTOR OF HIGHWAYS PROJECT IMPLEMENTATION

PRINTED BY THE AUTHORITY
OF THE STATE OF ILLINOIS

SUMMARY OF QUANTITIES - CONT

CODE NUMBER	ITEM DESCRIPTION	UNIT	TOTAL QUANTITY	COUNTY:	FRANKLIN COUNTY	JEFFERSON COUNTY
				ROUTE:	FAI 57	FAI 57
				FUNDING:	100% STATE	100% STATE
				LOCATION:	RURAL	RURAL
					ROADWAY	ROADWAY
					0005	0005
70300150	SHORT TERM PAVEMENT MARKING REMOVAL	SQ FT	865		432	433
70300241	TEMPORARY PAVEMENT MARKING - LINE 6"- PAINT	FOOT	8,714		4,758	3,956
* 78000400	THERMOPLASTIC PAVEMENT MARKING - LINE 6"	FOOT	8,714		4,758	3,956
* 78011035	GROOVING FOR RECESSED PAVEMENT MARKING 7"	FOOT	8,714		4,758	3,956
* 78100100	RAISED REFLECTIVE PAVEMENT MARKER	EACH	319		235	84
78300200	RAISED REFLECTIVE PAVEMENT MARKER REMOVAL	EACH	319		235	84
78300201	PAVEMENT MARKING REMOVAL - GRINDING	SQ FT	4,357		2,178	2,179
X7010216	TRAFFIC CONTROL AND PROTECTION, (SPECIAL)	L SUM	1		1	

* SPECIALTY ITEM

MODEL: Default
FILE: \\MAILSrv\pub\ldoc\aw\beadefy.com\PIV\DOT\Documents\DOT Office\Dir\drt_@Project\78956\CADD\Drawn\CAD\Sheets\0978956_Sheets.dgn

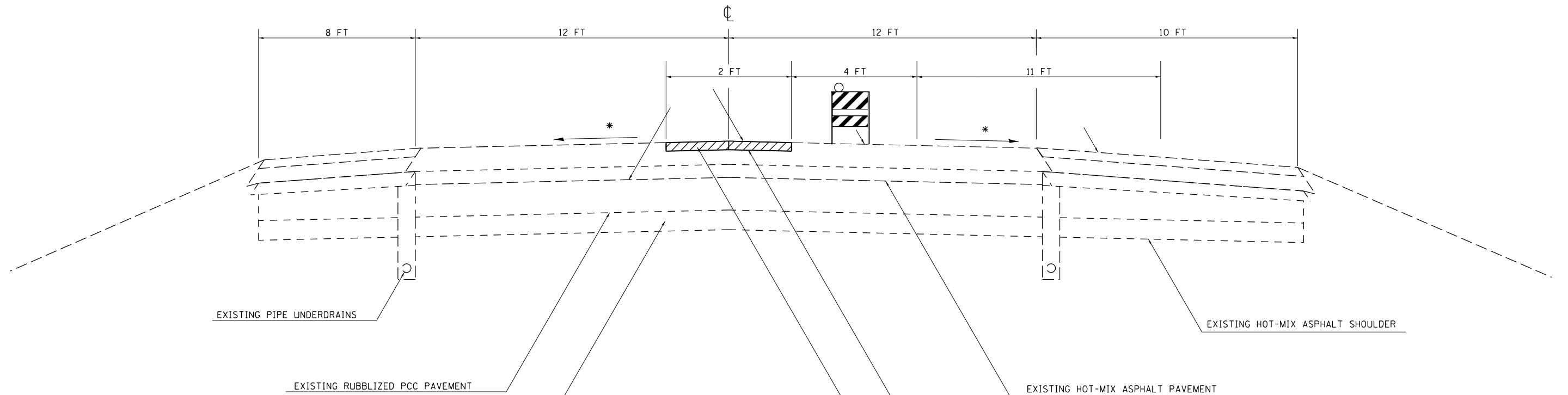
USER NAME = Alicia.Fowler-Steves	DESIGNED -	REVISED -
	DRAWN -	REVISED -
PLOT SCALE = 100,0000' / in.	CHECKED -	REVISED -
PLOT DATE = 5/19/2022	DATE -	REVISED -

**STATE OF ILLINOIS
DEPARTMENT OF TRANSPORTATION**

SCHEDULE OF QUANTITIES

SCALE: SHEET OF SHEETS STA. TO STA.

F.A.J. RTE.	SECTION	COUNTY	TOTAL SHEETS	SHEET NO.
57	D9 PATCH 2022-11	FRA. / JEF.	14	5
CONTRACT NO. 78956				
ILLINOIS FED. AID PROJECT				



EXISTING PIPE UNDERDRAINS

EXISTING RUBBLIZED PCC PAVEMENT

EXISTING AGGREGATE SUBBASE

EXISTING HOT-MIX ASPHALT SHOULDER

EXISTING HOT-MIX ASPHALT PAVEMENT

TO BE USED:
 STA. 307+00 TO 231+00
 STA. 323+20 TO 232+60
 STA. 222+20 TO 195+50
 STA. 319+60 TO 324+00
 STA. 101+40 TO 33+00
 STA. 25+00 TO 9+78
 STA. 84+00 TO 89+00
 STA. 92+00 TO 97+85
 STA. 100+98 TO 104+02
 STA. 244+40 TO 248+50
 STA. 311+03 TO 330+00
 STA. 363+00 TO 374+50
 STA. EQ. 242+97.43BK=243+00.98AH
 STA. EQ. 200+00BK=200+00.70AH
 STA. EQ. 50+00BK=49+99.31AH

PROPOSED HOT-MIX ASPHALT SURFACE COURSE, 2"
 PROPOSED HOT-MIX ASPHALT SURFACE REMOVAL, 2"
 MILL AND RESURFACE (INLAY)
 SEE SCHEDULE FOR THICKNESS AND LANE

LOCATION OF WORK VARIES
 ACROSS THE ROADWAY WIDTH

NOTES:
 * MATCH EXISTING CROSS SLOPE

MODEL: Default
 FILE: \\naafpc-pw-backend.com\PW\DOT\Documents\DOT Office\Dir\et. @Project\78956\CADD\Drawings\CADD\Drawings\78956-Sheets.dgn

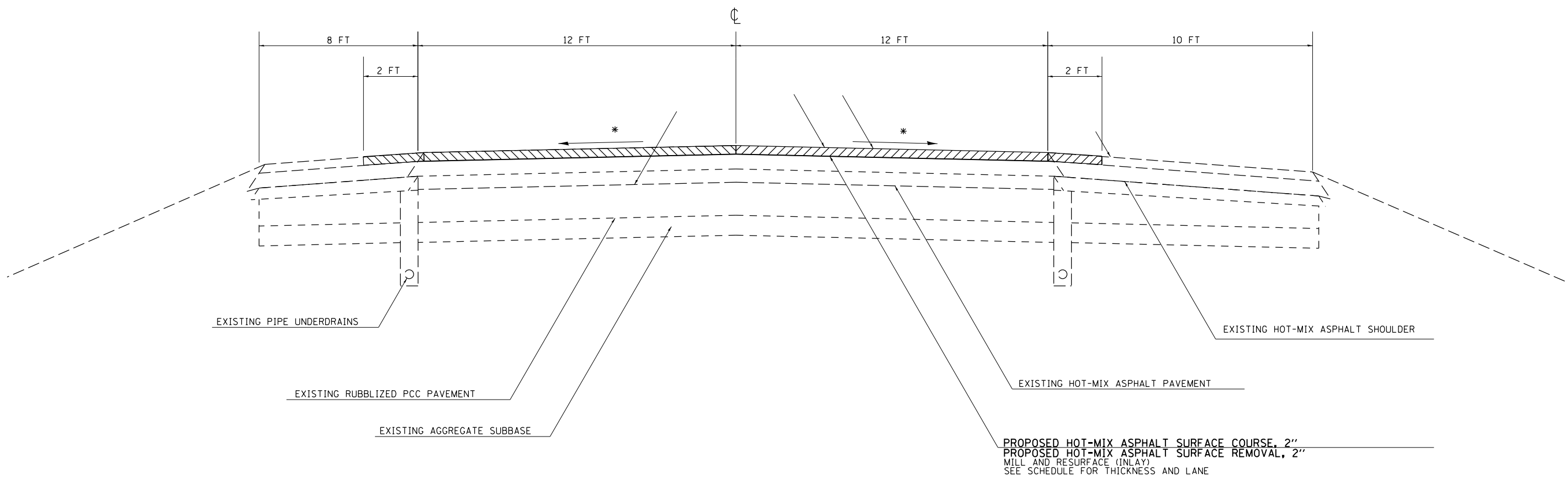
USER NAME = Alicia.Fowler-Steves	DESIGNED -	REVISED -
	DRAWN -	REVISED -
PLOT SCALE = 100,0000' / in.	CHECKED -	REVISED -
PLOT DATE = 5/19/2022	DATE -	REVISED -

**STATE OF ILLINOIS
 DEPARTMENT OF TRANSPORTATION**

TYPICAL SECTION

SCALE: SHEET OF SHEETS STA. TO STA.

F.A.J. RTE.	SECTION	COUNTY	TOTAL SHEETS	SHEET NO.
57	D9 PATCH 2022-11	FRA. / JEF.	14	6
CONTRACT NO. 78956			ILLINOIS FED. AID PROJECT	



EXISTING PIPE UNDERDRAINS

EXISTING RUBBLIZED PCC PAVEMENT

EXISTING AGGREGATE SUBBASE

EXISTING HOT-MIX ASPHALT SHOULDER

EXISTING HOT-MIX ASPHALT PAVEMENT

PROPOSED HOT-MIX ASPHALT SURFACE COURSE, 2"
 PROPOSED HOT-MIX ASPHALT SURFACE REMOVAL, 2"
 MILL AND RESURFACE (INLAY)
 SEE SCHEDULE FOR THICKNESS AND LANE

TO BE USED:
 STA. 222+50 TO 226+70
 STA. 245+00 TO 248+95

NOTES:
 * MATCH EXISTING CROSS SLOPE

MODEL: Default
 FILE: \\na16c-pw-bentley.com\PW\DOT\Documents\DOT Office\Dir\et. @Project\78956\CADD\DATA\CAD\Sheets\0978956_Sheets.dgn

USER NAME = Alicia.Fowler-Steves	DESIGNED -	REVISED -
	DRAWN -	REVISED -
PLOT SCALE = 100,0000' / in.	CHECKED -	REVISED -
PLOT DATE = 5/19/2022	DATE -	REVISED -

**STATE OF ILLINOIS
 DEPARTMENT OF TRANSPORTATION**

TYPICAL SECTION	
SCALE:	SHEET OF SHEETS STA. TO STA.

F.A.J. RTE.	SECTION	COUNTY	TOTAL SHEETS	SHEET NO.
57	D9 PATCH 2022-11	FRA. / JEF.	14	8
CONTRACT NO. 78956				
ILLINOIS FED. AID PROJECT				

PAVEMENT MARKING SCHEDULE

LOCATION STATION TO STATION	THERMOPLASTIC PAVEMENT MARKING			COMMENTS
	LINE 6"			
	YELLOW	WHITE	WHITE	
	SOLID	SOLID	SKIP DASH	
	FOOT	FOOT	FOOT	
NB I-57 FRANKLIN COUNTY				
307 + 00 TO 242 + 97.43			1,601	
243 + 00.98 TO 231 + 00			300	
229+54		70	18	
222 + 20 TO 200 + 00			555	
200 + 00.47 TO 195 + 50			113	
164 + 20 TO 163 + 80			10	
NB I-57 JEFFERSON COUNTY				
222 + 50 TO 226 + 70	420	420	105	
245 + 00 TO 248 + 95	395	395	99	
319 + 60 TO 324 + 00			110	
SB I-57 JEFFERSON COUNTY				
84 + 00 TO 89 + 00			125	
92 + 00 TO 97 + 85			146	
100 + 98 TO 104 + 02			76	
118 + 85 TO 125 + 25		640	160	
244 + 40 TO 248 + 50			103	
311 + 03 TO 330 + 00			474	
363 + 00 TO 374 + 50			288	
SB I-57 FRANKLIN COUNTY				
101 + 40 TO 50 + 00			1,285	
49 + 99.3 TO 33 + 00			425	
25 + 00 TO 9 + 78			381	
SUB TOTAL	815	1,525	6,374	
TOTAL	8,714			

MODEL: Default
 FILE NAME: \\sulfur-pw-bentley.com\P\DOT\Documents\DOT Office\Dir\rdet @Project\78956\CADD\Drawn\CAD\Sheets\0978956_Sheets.dgn

USER NAME = Alicia.Fowler-Steves	DESIGNED -	REVISED -
	DRAWN -	REVISED -
PLOT SCALE = 100,0000' / in.	CHECKED -	REVISED -
PLOT DATE = 5/19/2022	DATE -	REVISED -

**STATE OF ILLINOIS
DEPARTMENT OF TRANSPORTATION**

PAVEMENT MARKING SCHEDULE

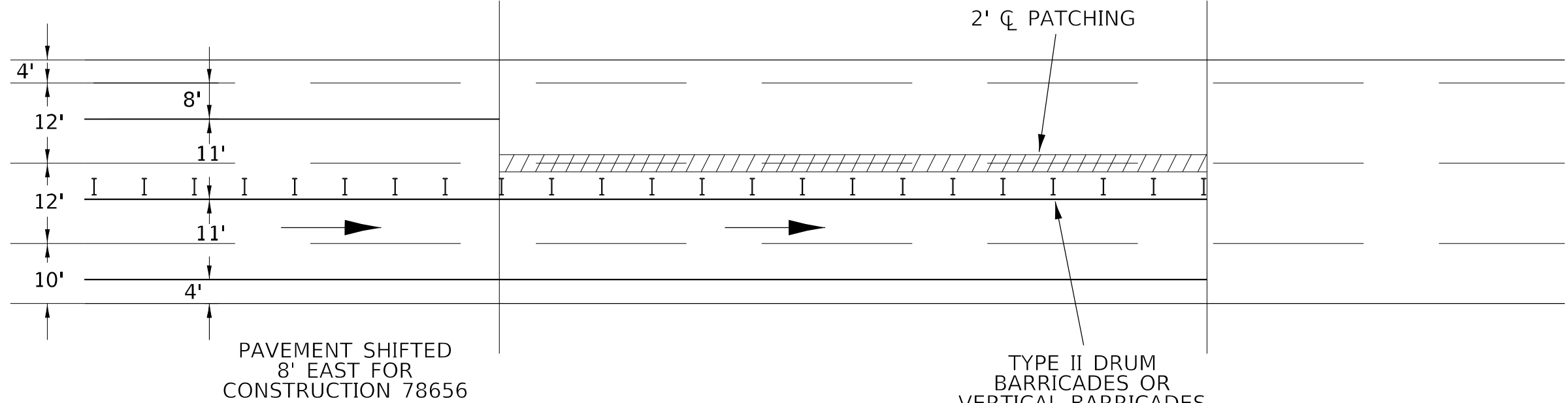
SCALE: SHEET OF SHEETS STA. TO STA.

F.A.J RTE.	SECTION	COUNTY	TOTAL SHEETS	SHEET NO.
57	D9 PATCH 2022-11	FRA. / JEF.	14	10
CONTRACT NO. 78956				
ILLINOIS FED. AID PROJECT				

I-57 NORTHBOUND CENTERLINE PATCHING - NIGHTTIME ONLY

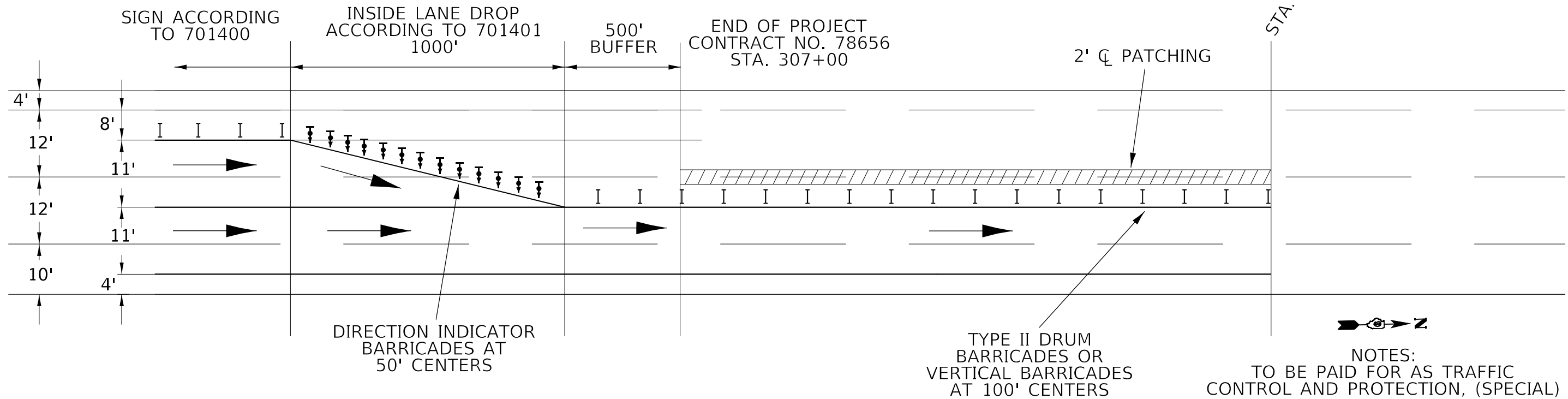
ALTERNATE 1 - CONTRACT 78656 DOWN TO ONE LANE

END OF PROJECT
CONTRACT NO. 78656
STA. 307+00



ALTERNATE 2 - CONTRACT 78656 TWO LANES OPEN

END OF PROJECT
CONTRACT NO. 78656
STA. 307+00



NOTES:
TO BE PAID FOR AS TRAFFIC
CONTROL AND PROTECTION, (SPECIAL)

MODEL: Default
FILE: I:\MISC\p\subject-pw-beachy.com\PIV\DOT\Documents\DOT Office\Dir\ref: @Project\78956\CADD\Drawings\CAD\Sheets\0978956-Sheets.dgn

USER NAME = Alicia.Fowler-Steves	DESIGNED -	REVISED -
	DRAWN -	REVISED -
PLOT SCALE = 100,0000' / in.	CHECKED -	REVISED -
PLOT DATE = 5/19/2022	DATE -	REVISED -

**STATE OF ILLINOIS
DEPARTMENT OF TRANSPORTATION**

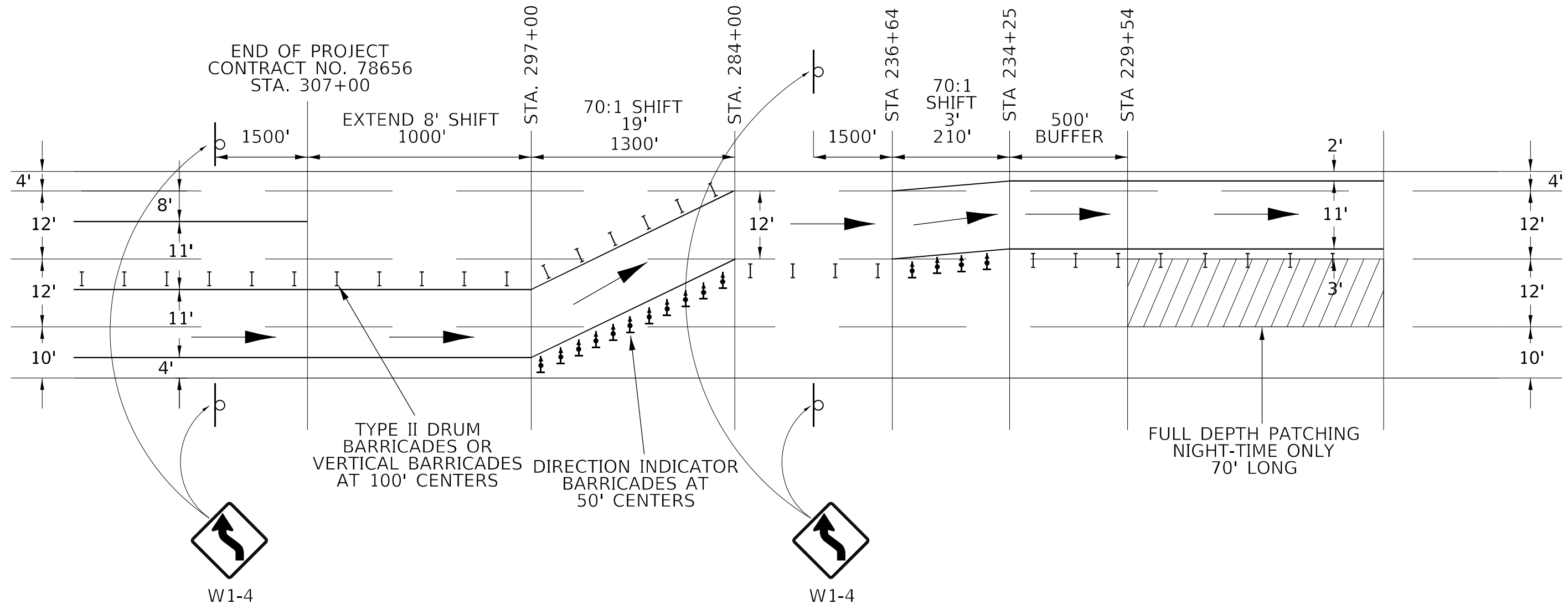
**CENTERLINE PATCHING
TRAFFIC CONTROL DETAIL**

SCALE: SHEET OF SHEETS STA. TO STA.

F.A.J. RTE.	SECTION	COUNTY	TOTAL SHEETS	SHEET NO.
57	D9 PATCH 2022-11	FRA. / JEF.	14	11
ILLINOIS FED. AID PROJECT			CONTRACT NO. 78956	

I-57 NORTHBOUND FULL-DEPTH PATCHING - NIGHTTIME ONLY

ALTERNATE 1 - CONTRACT 78656 DOWN TO ONE LANE



NOTES:
TO BE PAID FOR AS TRAFFIC
CONTROL AND PROTECTION, (SPECIAL)

MODEL: Default
FILE: \\malfc-pw\uldest-pw-beadefy.com\PIV\DOT\Documents\DOT Office\Dir\drct_8\Project\78956\CADD\Drawings\CAD\Sheets\0978956-Sheets.dgn

USER NAME = Alicia.Fowler-Steves	DESIGNED -	REVISED -
	DRAWN -	REVISED -
PLOT SCALE = 100,0000' / in.	CHECKED -	REVISED -
PLOT DATE = 5/19/2022	DATE -	REVISED -

STATE OF ILLINOIS
DEPARTMENT OF TRANSPORTATION

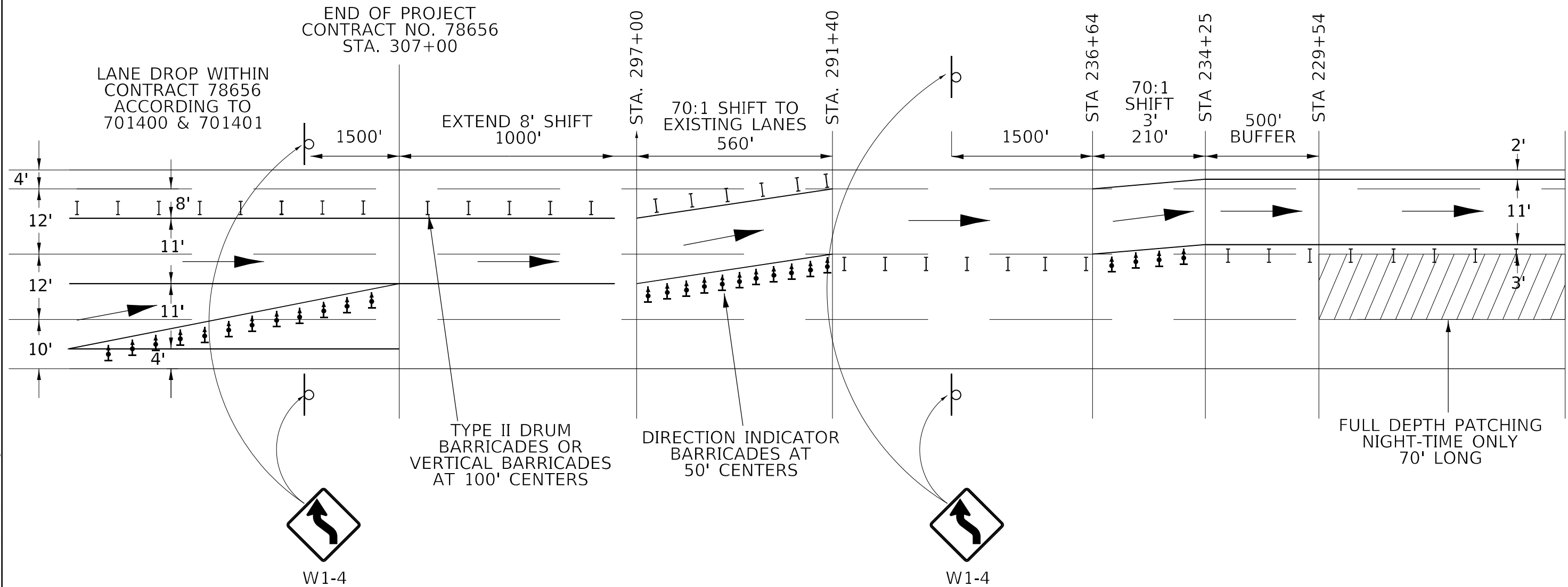
FULL DEPTH PATCH
1-LANE TRAFFIC CONTROL DETAIL

SCALE: SHEET OF SHEETS STA. TO STA.

F.A.J. RTE.	SECTION	COUNTY	TOTAL SHEETS	SHEET NO.
57	D9 PATCH 2022-11	FRA. / JEF.	14	12
ILLINOIS FED. AID PROJECT			CONTRACT NO. 78956	

I-57 NORTHBOUND FULL-DEPTH PATCHING - NIGHTTIME ONLY

ALTERNATE 2 - LANE DROP WITHIN CONTRACT 78656



NOTES:
TO BE PAID FOR AS TRAFFIC
CONTROL AND PROTECTION, (SPECIAL)

MODEL: Default
 FILE: I:\mde\p\p\subject-pw-beadefy.com\FW\DOT\Documents\DOT Office\Dir\dir_0\Project\78956\CADD\Drawings\Sheet\0978956-Sheets.dgn

USER NAME = Alicia.Fowler-Steves	DESIGNED -	REVISED -
	DRAWN -	REVISED -
PLOT SCALE = 100,0000' / in.	CHECKED -	REVISED -
PLOT DATE = 5/19/2022	DATE -	REVISED -

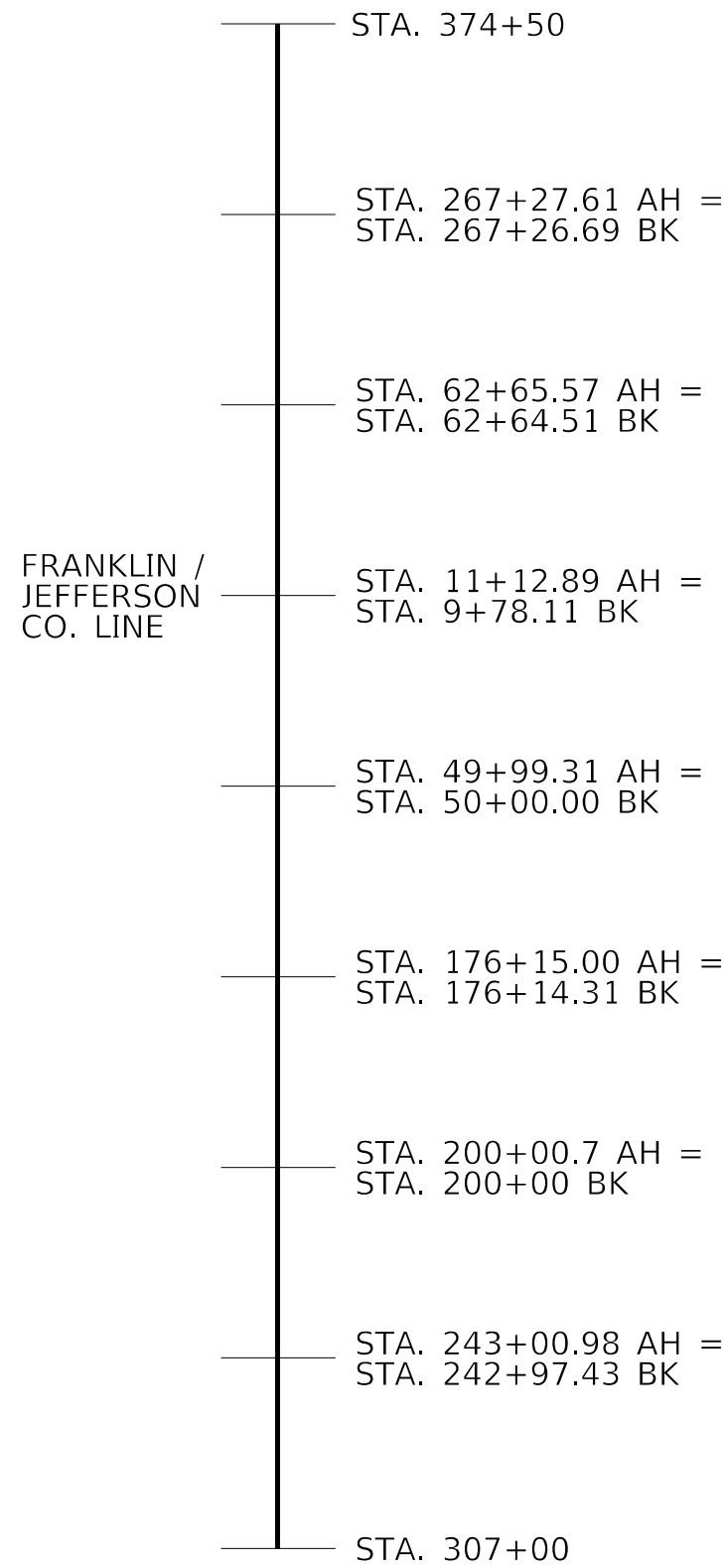
STATE OF ILLINOIS
DEPARTMENT OF TRANSPORTATION

FULL DEPTH PATCH
2-LANE TRAFFIC CONTROL DETAIL

SCALE: SHEET OF SHEETS STA. TO STA.

F.A.J. RTE.	SECTION	COUNTY	TOTAL SHEETS	SHEET NO.
57	D9 PATCH 2022-11	FRA. / JEF.	14	13
CONTRACT NO. 78956				
ILLINOIS FED. AID PROJECT				

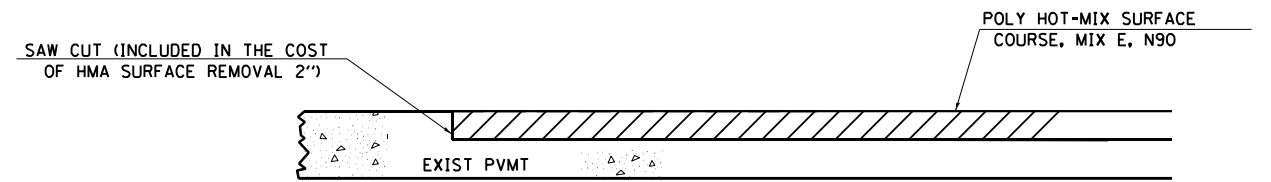
END PROJECT I-57 SB



BEGIN PROJECT I-57 NB



INLAY DETAIL



SECTION A-A

THIS DETAIL IS TO BE USED AT THE BEGINNING AND END OF ALL MILL SECTIONS IN THE CONTRACT.

MODEL NUMBER: MAMTS
FILE NAME: 811E15

USER NAME = SUSERS	DESIGNED - _____	REVISED - _____
DRAWN - _____	REVISOR - _____	REVISOR - _____
PLOT SCALE = 5SCALES	CHECKED - _____	REVISOR - _____
PLOT DATE = SDATES	DATE - _____	REVISOR - _____

**STATE OF ILLINOIS
DEPARTMENT OF TRANSPORTATION**

STATION EQUATION DIAGRAM, INLAY DETAIL	
SCALE: _____	SHEET ____ OF ____ SHEETS STA. _____ TO STA. _____

F.A.I. RTE.	SECTION	COUNTY	TOTAL SHEETS	SHEET NO.
57	D9 PATCH 2022-11	FRA. / JEF.	14	14
CONTRACT NO. 78956				
ILLINOIS FED. AID PROJECT				