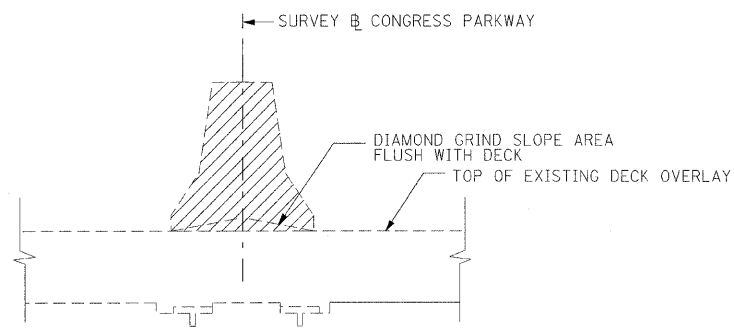
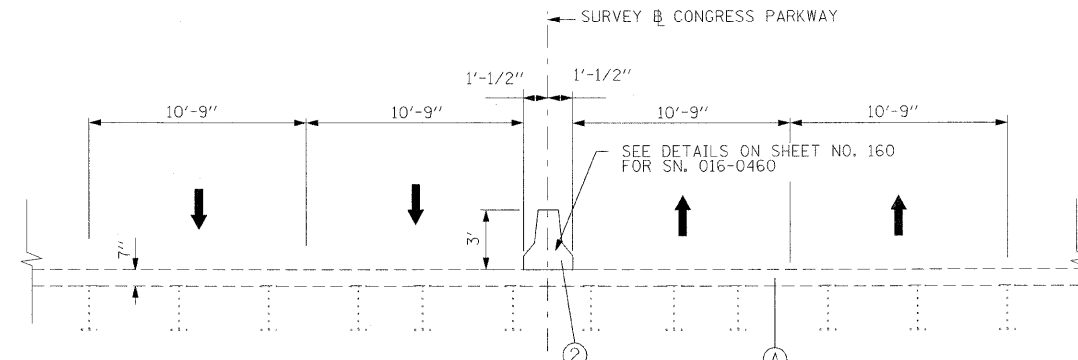


**EXISTING TYPICAL SECTION
(LOOKING EAST)**
STA. 377+29.89 TO STA. 377+50.23
CROSS OVER C
(EAST OF THE POST OFFICE STAGE II)

NOTE:
FOR REMOVAL DETAILS AND SEQUENCE
SEE GENERAL NOTES AND TRAFFIC
CONTROL GENERAL NOTES AND DETAILS



DETAIL 3
CONCRETE BARRIER REMOVAL (SPECIAL)



**PROPOSED TYPICAL SECTION
(LOOKING EAST)**
STA. 377+29.89 TO STA. 377+50.23
CROSS OVER C
(EAST OF THE POST OFFICE STAGE II)

EXISTING

- (A) EXISTING CONCRETE DECK
- (B) EXISTING CONCRETE BARRIER REMOVAL
- (C) EXISTING CONCRETE MEDIAN REMOVAL

PROPOSED

- ① CONCRETE PARAPET, 34 INCH F SHAPE (MODIFIED)
- ② CONCRETE PARAPET TRANSITION, 34 INCH F SHAPE (MODIFIED)
- ③ CONCRETE MEDIAN (SPECIAL)
- ④ HOT-MIX ASPHALT SURFACE COURSE, MIX "C", N50, 2"
- ⑤ HOT-MIX ASPHALT BASE COURSE, 8" (IN 3 LIFTS)
- ⑥ SUB-BASE GRANULAR MATERIAL, TYPE B 6"
- ⑦ COMBINATION CONCRETE C&G, TYPE B-6.12
- ⑧ PRECAST MODULAR RETAINING WALL
- ⑨ CHAIN LINK FENCE, 8'

NOTE:

EXISTING IMPACT ATTENUATOR SHALL BE REMOVED FROM STA. 377+50.23 TO STA. 377+67.98 TO ACCOMMODATE STAGE II TRAVEL LANES AND BE REPLACED WITH NEW IMPACT ATTENUATOR (SEVERE USE, NARROW), TEST LEVEL 3 AT THE SAME LOCATION (SEE ROADWAY PLANS FOR DETAILS).

PB Americas, Inc. 230 WEST MONROE STREET, SUITE 900 CHICAGO, IL. 60606	USER NAME = #USER#	DESIGNED - DM	REVISED -	STATE OF ILLINOIS DEPARTMENT OF TRANSPORTATION	CONGRESS PARKWAY OVER SOUTH BRANCH OF THE CHICAGO RIVER TYPICAL SECTIONS		F.A.P. RTE.	SECTION	COUNTY	TOTAL SHEETS	SHEET NO.
	FILE NAME = #FILENAME#	DRAWN - MS	REVISED -		389	2424-2B-R	COOK	398	13		
	PLOT SCALE = #SCALE#	CHECKED - DS	REVISED -		CONTRACT NO. 60061			FED. ROAD DIST. NO. 1	ILLINOIS	FED. AID PROJECT	
PLOT DATE = 5/6/2009	DATE - 5/08/09	REVISED -	REVISED -	SCALE: NONE	SHEET NO. 13 OF 83 SHEETS	STA. 377+01.00 TO STA. 382+49.28					