

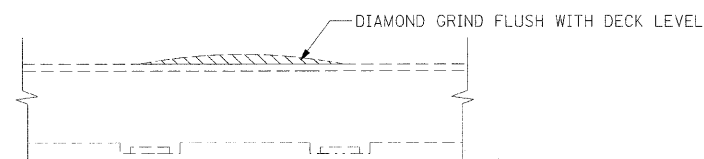
**EXISTING TYPICAL SECTION
(LOOKING EAST)**

STA. 377+67.98 TO STA. 378+46.48
CROSS OVER C
(EAST OF THE POST OFFICE STAGE II)

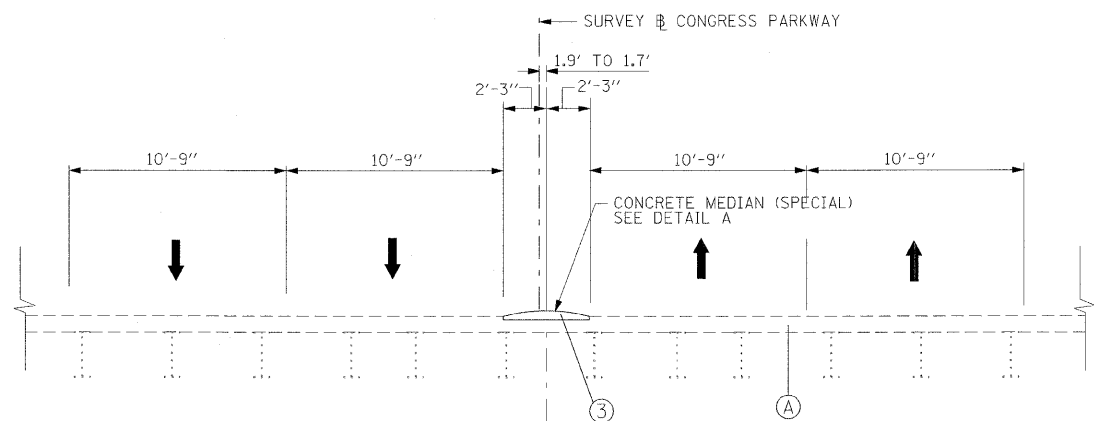
NOTE:
FOR REMOVAL DETAILS AND SEQUENCE
SEE GENERAL NOTES AND TRAFFIC
CONTROL GENERAL NOTES AND DETAILS

EXISTING

- Ⓐ EXISTING CONCRETE DECK
- Ⓑ EXISTING CONCRETE BARRIER REMOVAL
- Ⓒ EXISTING CONCRETE MEDIAN REMOVAL
- Ⓓ EXISTING CONCRETE REMOVAL



DETAIL 4
CONCRETE MEDIAN REMOVAL

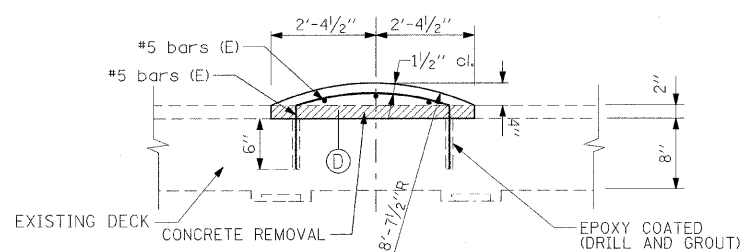


**PROPOSED TYPICAL SECTION
(LOOKING EAST)**

STA. 377+67.98 TO STA. 378+46.48
CROSS OVER C
(EAST OF THE POST OFFICE STAGE II)

PROPOSED

- ① CONCRETE PARAPET, 34 INCH F SHAPE (MODIFIED)
- ② CONCRETE PARAPET TRANSITION, 34 INCH F SHAPE (MODIFIED)
- ③ CONCRETE MEDIAN (SPECIAL)
- ④ HOT-MIX ASPHALT SURFACE COURSE, MIX "C", N50, 2"
- ⑤ HOT-MIX ASPHALT BASE COURSE, 8" (IN 3 LIFTS)
- ⑥ SUB-BASE GRANULAR MATERIAL, TYPE B 6"
- ⑦ COMBINATION CONCRETE C&G, TYPE B-6.12
- ⑧ PRECAST MODULAR RETAINING WALL
- ⑨ CHAIN LINK FENCE, 8'



DETAIL A
CONCRETE MEDIAN (SPECIAL)
STA. 377+67.98 TO STA. 378+46.48

NOTE:

1. ALL REINFORCING BARS, BAR SLICERS, TIE BARS, DOWEL BARS AND CONCRETE REMOVAL SHALL BE INCLUDED IN THE CONTRACT UNIT COST PER SQ. FT. FOR "CONCRETE MEDIAN (SPECIAL)"
2. CONCRETE MEDIAN (SPECIAL) SHALL BE CONSTRUCTED IN STAGE IIA (SEE TCP GENERAL NOTES)

PB Americas, Inc.
230 WEST MONROE STREET,
SUITE 900
CHICAGO, IL. 60606

USER NAME = #USER#
FILE NAME = #FILENAME#
PLOT SCALE = #SCALE#
PLOT DATE = 5/6/2009

DESIGNED - DM
DRAWN - MS
CHECKED - DS
DATE - 5/08/09

REVISED -
REVISED -
REVISED -
REVISED -

**STATE OF ILLINOIS
DEPARTMENT OF TRANSPORTATION**

**CONGRESS PARKWAY OVER SOUTH BRANCH OF THE CHICAGO RIVER
TYPICAL SECTIONS**

SCALE: NONE SHEET NO. 14 OF 83 SHEETS STA. 377+01.00 TO STA. 382+45.28

F.A.P. RTE.	SECTION	COUNTY	TOTAL SHEETS	SHEET NO.
389	2424-2B-R	COOK	398	14
CONTRACT NO. 60D61				
FED. ROAD DIST. NO. 1 [ILLINOIS] FED. AID PROJECT				