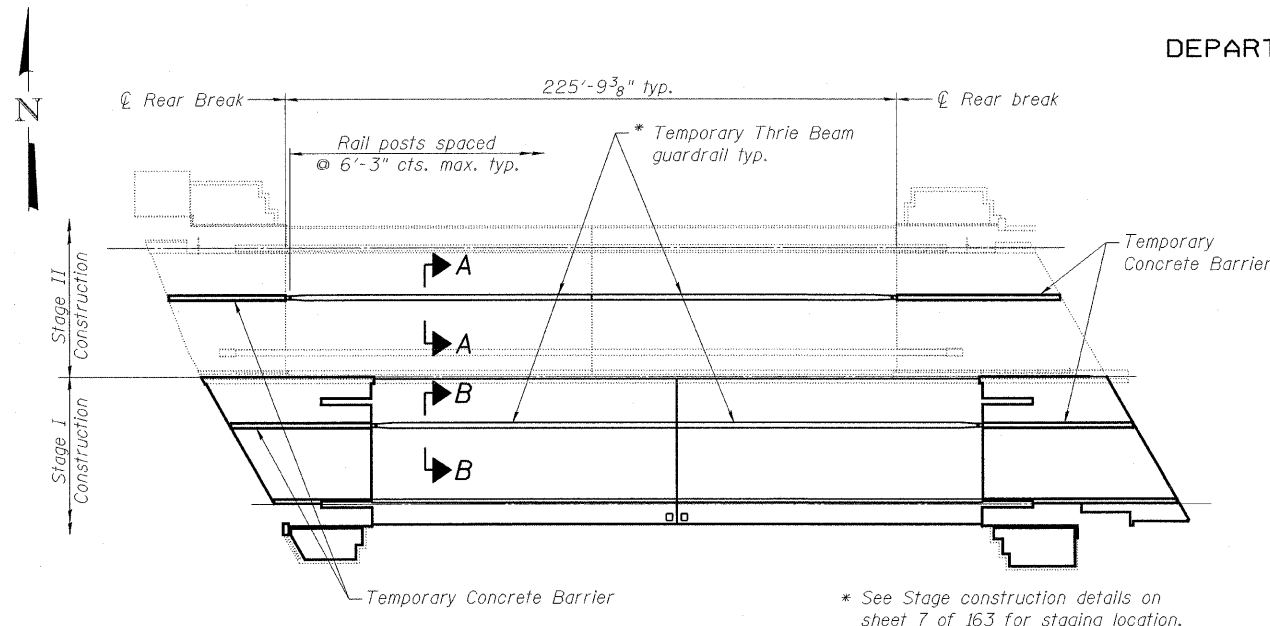
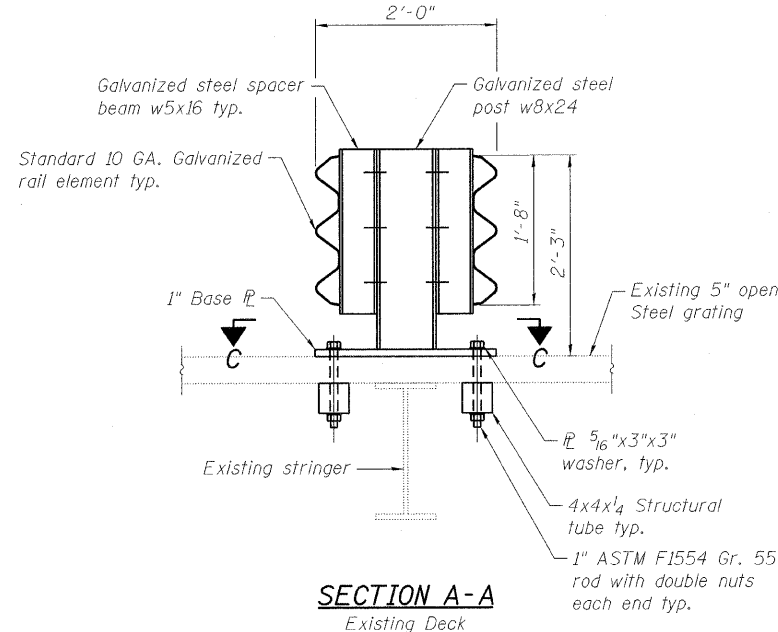


STATE OF ILLINOIS  
DEPARTMENT OF TRANSPORTATION



**TEMPORARY DUAL FACE THRIE BEAM GUARDRAIL  
POST SPACING PLAN**

\* See Stage construction details on sheet 7 of 163 for staging location.

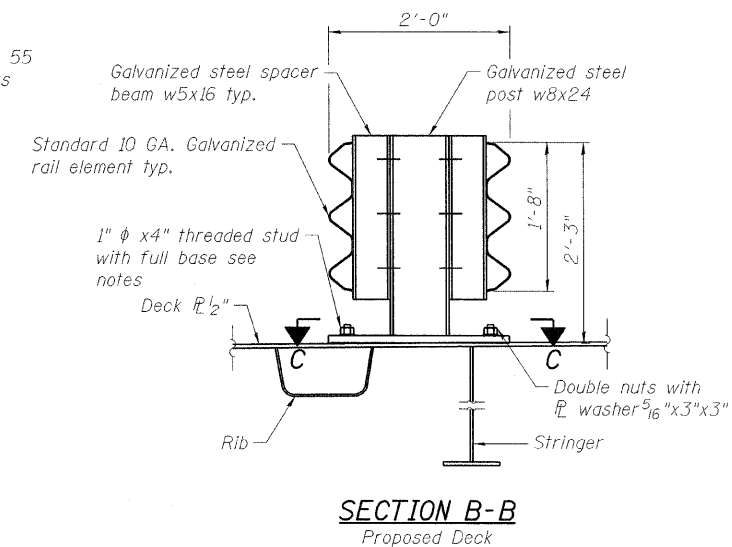


**SECTION A-A  
Existing Deck**

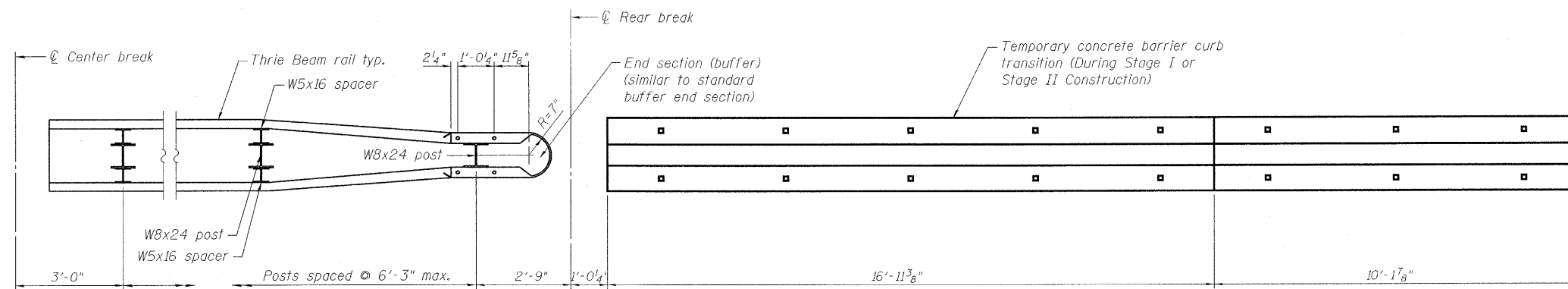
Notes:  
Use of long-slotted holes in the longer direction of the base plate will be allowed.  
Costs for temporary dual face beam guide rail, including end sections and attachment type shall be included in the cost for pay item 153, "temporary dual face beam guide rail."

All cost for Temporary Bridge Barrier shall be included under pay item "Temporary Thrie Beam steel plate Guardrail, Type D (Special)".  
Under no circumstances shall the Contractor be allowed to cut the main, cross or supplemental bars in the existing grid deck. The Contractor shall be allowed to cut existing grid deck transverse bars for installation of anchor bolts. Cutting of main bars in existing grid deck and drilling/cutting into existing channel purlins shall only be permitted with Engineer's approval. Modify post locations and standard bolt hole locations in rail elements as required to meet the above criteria. Contractor shall be responsible for coordinating post spacing and anchor bolt/stud locations with steel grid and orthotropic deck shop drawings, steel barrier post spacing shall not exceed 6'-3".

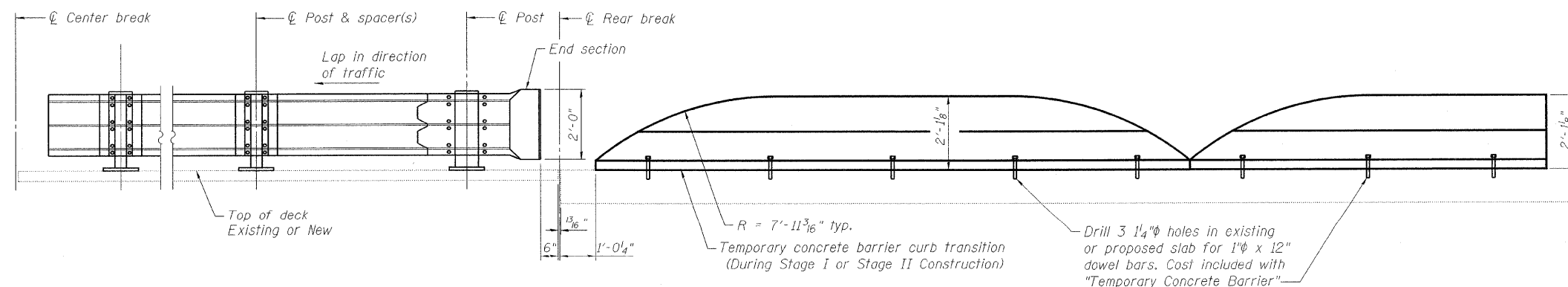
Threaded studs shall be welded to orthotropic deck prior to wearing surface application. Threads shall be taped or otherwise protected during wearing surface application. After post has been removed, threaded studs shall be removed by grinding and shall be ground smooth by grinding in the transverse direction only.



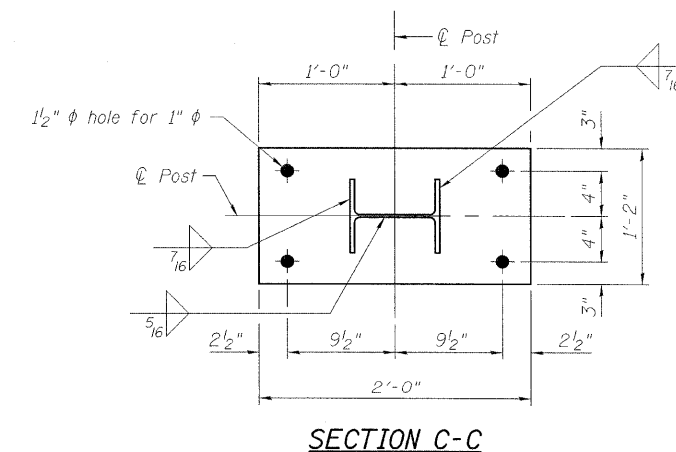
**SECTION B-B  
Proposed Deck**



**TEMPORARY DUAL FACE THRIE BEAM GUARDRAIL CONSTRUCTION BARRIER PLAN**



**TEMPORARY THRIE BEAM GUARDRAIL ELEVATION**



**SECTION C-C**

**STAGE CONSTRUCTION DETAILS  
STRUCTURE NO. 016-2445**

**BILL OF MATERIAL**

Item	Unit	Quantity
Temporary Thrie Beam Steel Plate Guardrail, Type D (Special)	Foot	454

**PB Americas, Inc.**  
230 WEST MONROE STREET,  
SUITE 900  
CHICAGO, IL. 60606

SHEET NO. 8	F.A.P RTE. 389	SECTION 2424.2B-R	COUNTY COOK	TOTAL SHEETS 398	SHEET NO. 89
163 SHEETS	CONTRACT NO. 60D61		FED. ROAD DIST. NO. 7 ILLINOIS FED. AID PROJECT		

DESIGNED	A. HAMMAD
CHECKED	J. GRAINAWI
DRAWN	D. C. PATEL
CHECKED	A. HAMMAD