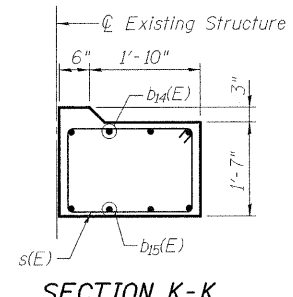
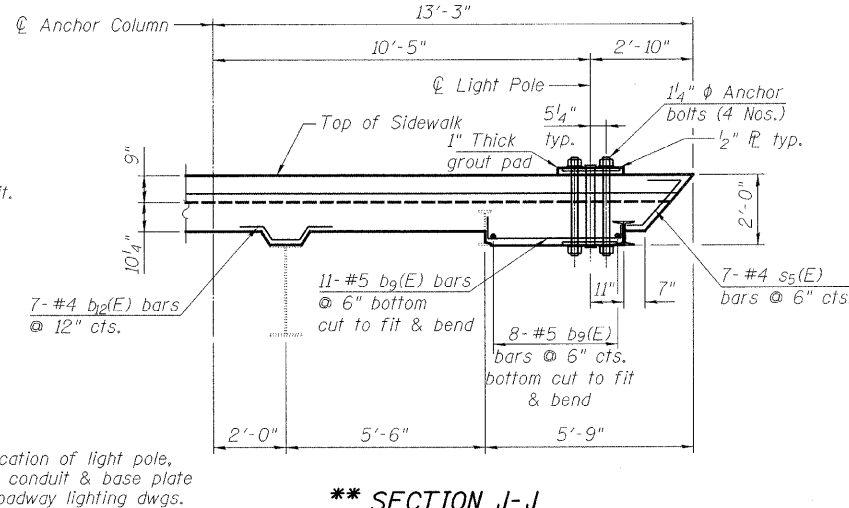
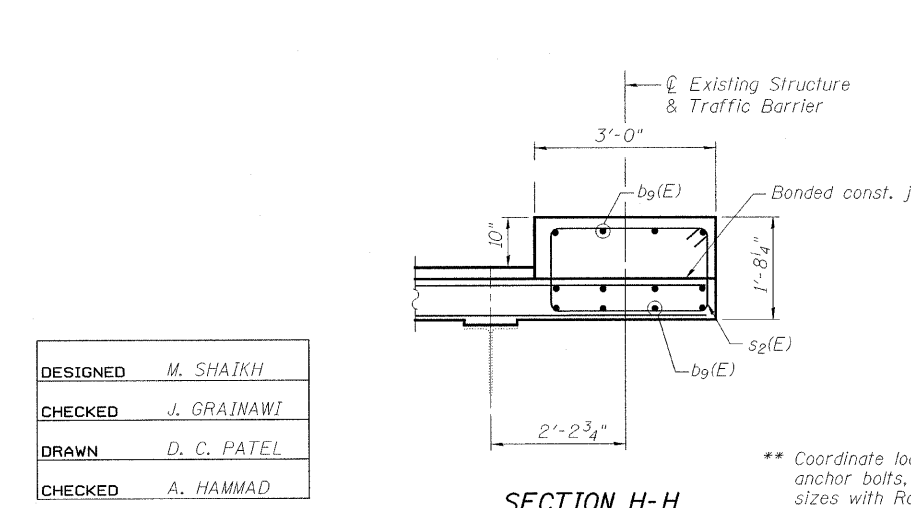
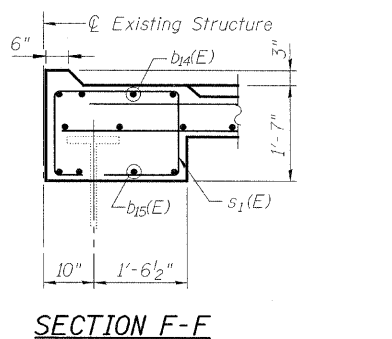
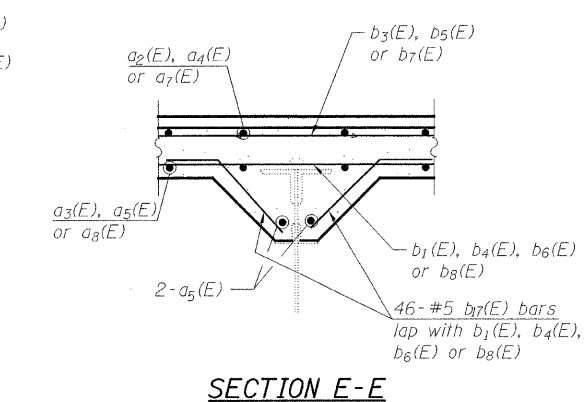
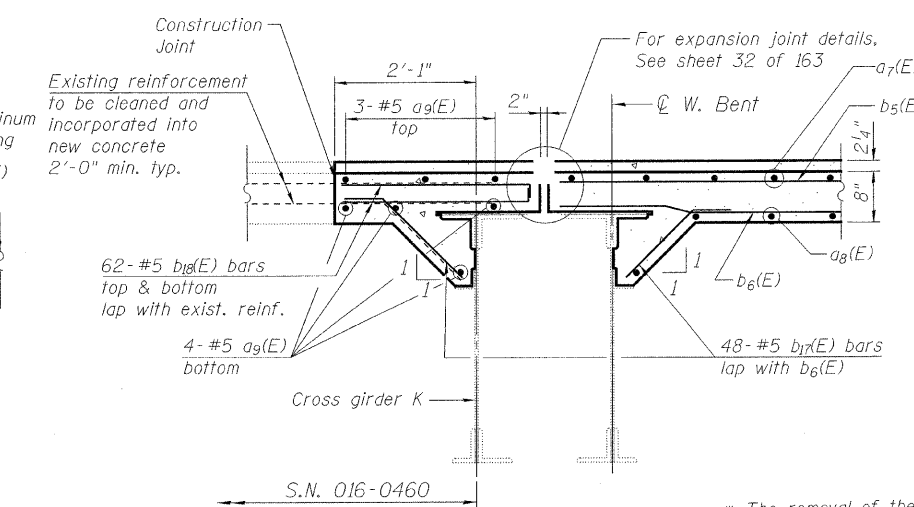
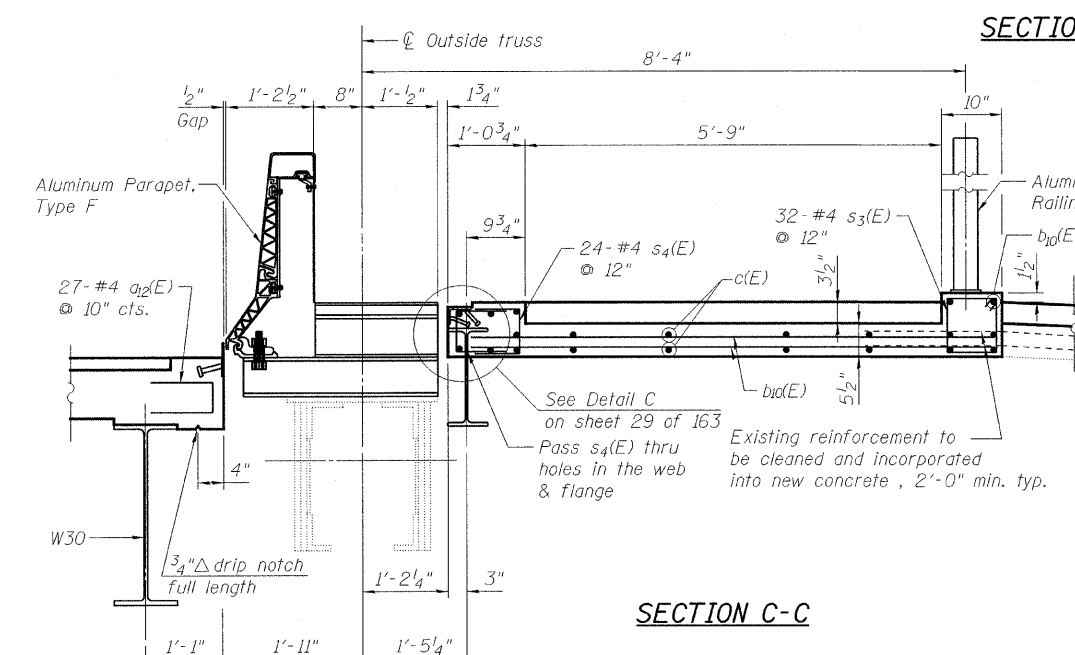
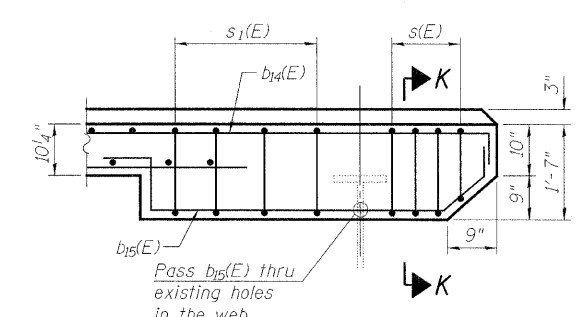
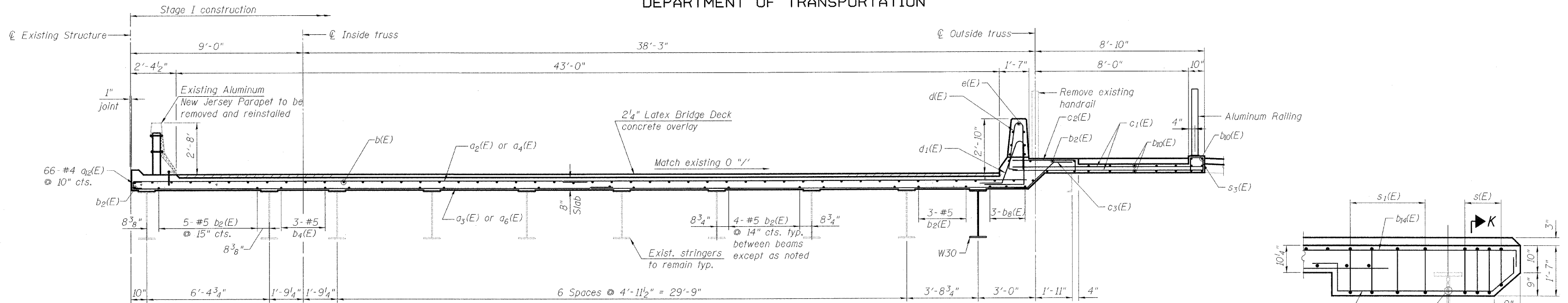


STATE OF ILLINOIS
DEPARTMENT OF TRANSPORTATION



LEGEND

Existing Member to Remain

New Member

Notes:
See Sheets 132 & 133 of 163 for Aluminum Parapet, Type F.
See Sheets 135 & 136 of 163 for Aluminum Railing.

DESIGNED	M. SHAIKH
CHECKED	J. GRAINAWI
DRAWN	D. C. PATEL
CHECKED	A. HAMMAD

SECTION H-H

** Coordinate location of light pole, anchor bolts, conduit & base plate sizes with Roadway lighting dwgs.

SECTION I-I

PB Americas, Inc.
230 WEST MONROE STREET,
SUITE 900
CHICAGO, IL. 60606

SHEET NO. 20 163 SHEETS	F.A.P RTE.	SECTION	COUNTY	TOTAL SHEETS	SHEET NO.
	389	2424.2B-R	COOK	398	101
			CONTRACT NO. 60D61		
FED. ROAD DIST. NO. 7 ILLINOIS FED. AID PROJECT					

**SUPERSTRUCTURE
SOUTHWEST FIXED SPANS
STRUCTURE NO. 016-2445**

T:\16843A\Structural\Cadd\Pre-Final\EB_Plans\0162445-60D61-SUP-019.dgn
07-MAY-2009