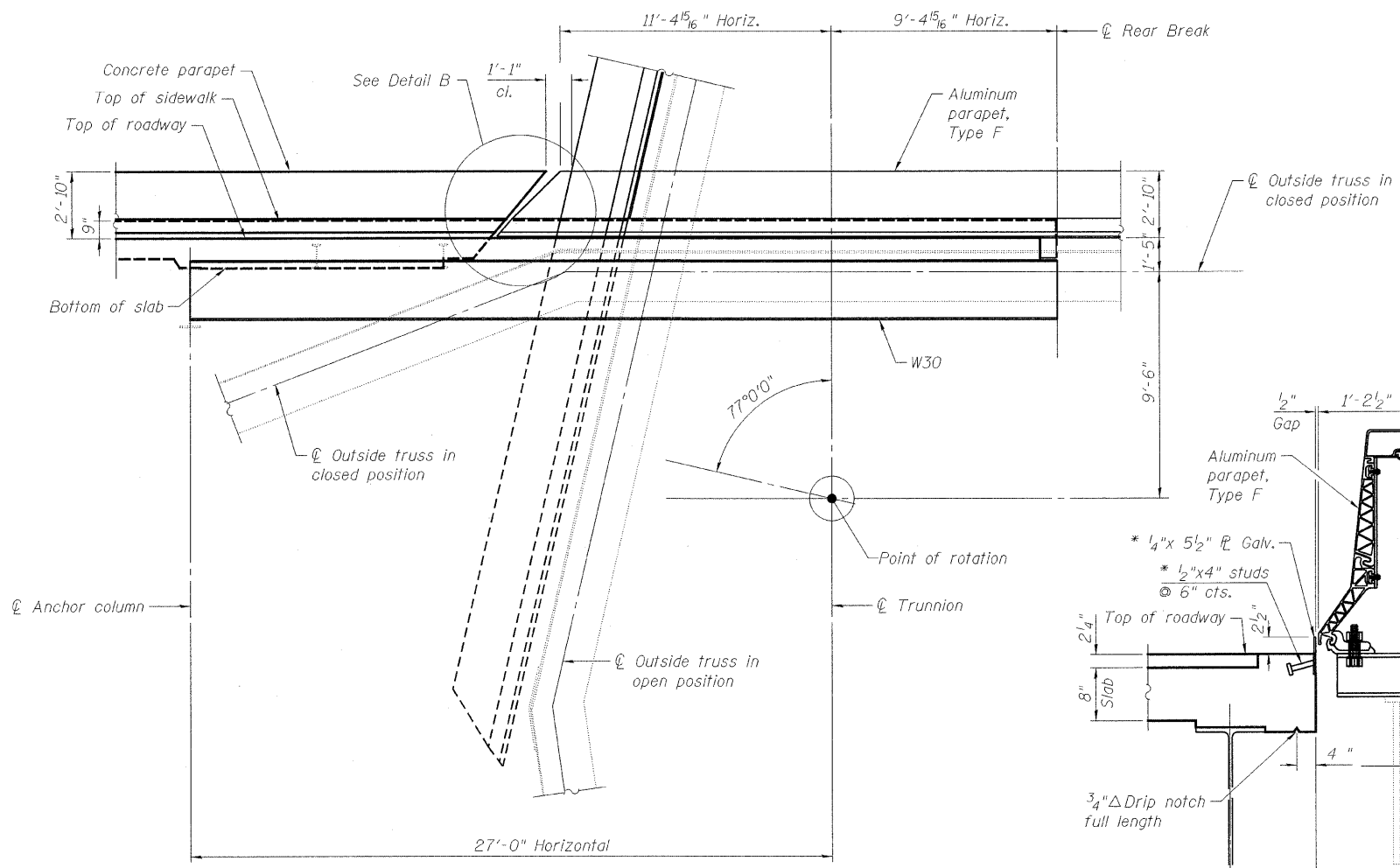
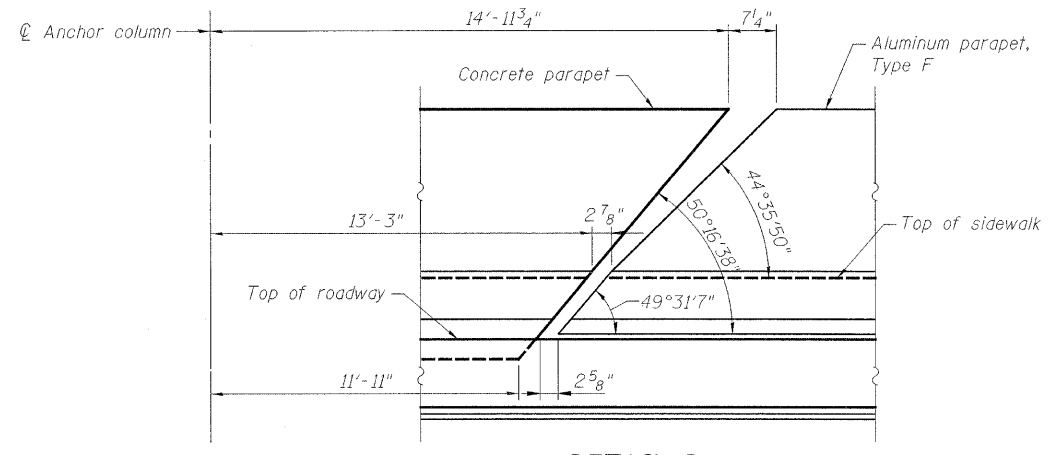


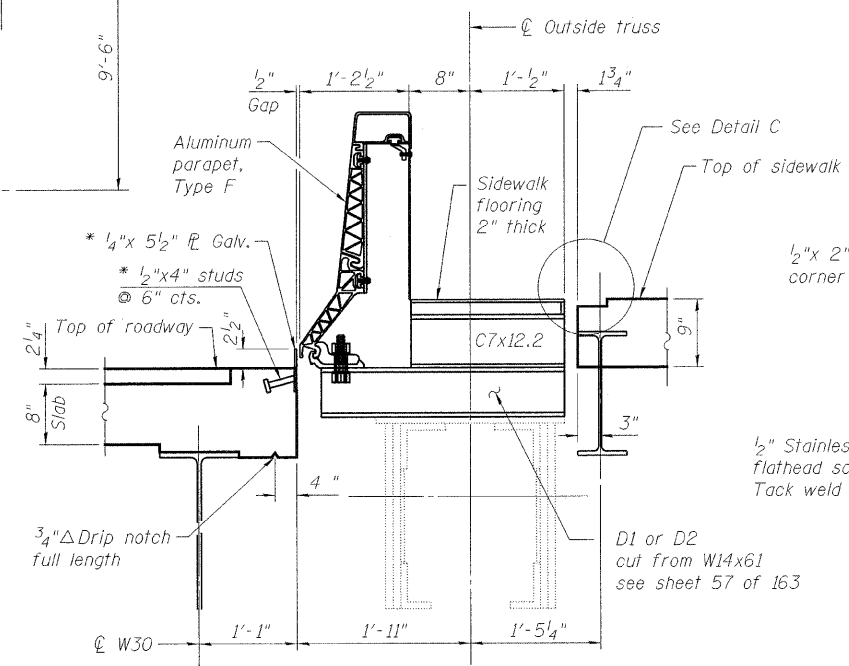
STATE OF ILLINOIS  
DEPARTMENT OF TRANSPORTATION



ELEVATION

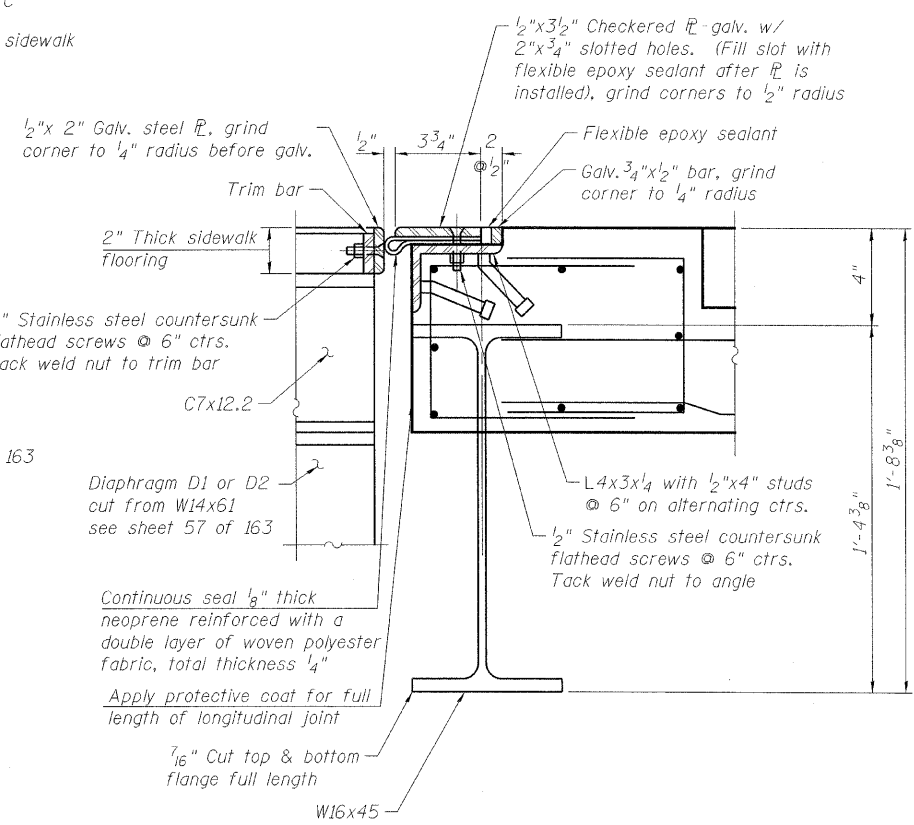


DETAIL B



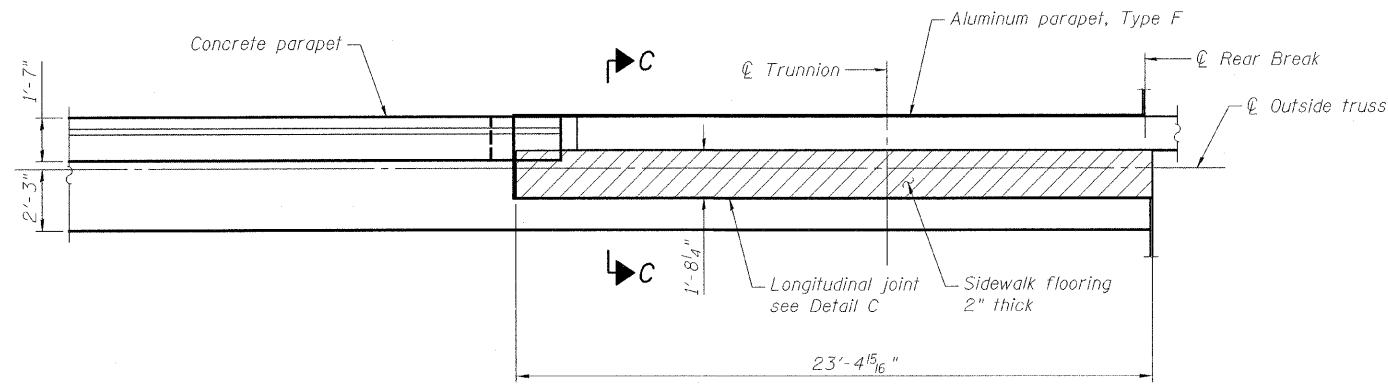
SECTION C-C

\* Cost included with Furnishing and Erecting Structural Steel



\*\* DETAIL C

\*\* All components necessary for the longitudinal joint shall be paid for under the item: "Furnishing and Erecting Structural Steel." All material is to be galvanized.



DETAIL A

BILL OF MATERIAL

Item	Unit	Quantity
Sidewalk flooring over Rear Arm, 2"	Sq. Ft.	160

DESIGNED	M. SHAIKH
CHECKED	J. GRAINAWI
DRAWN	D. C. PATEL
CHECKED	A. HAMMAD

Notes:  
For additional details see sheet 57 of 163.  
For location of details on this sheet see sheets 19 through 25 of 163.

**PB Americas, Inc.**  
230 WEST MONROE STREET,  
SUITE 900  
CHICAGO, IL. 60606

SHEET NO. 29  163 SHEETS	F.A.P RTE.	SECTION	COUNTY	TOTAL SHEETS	SHEET NO.
	389	2424.2B-R	COOK	398	110
FED. ROAD DIST. NO. 7 ILLINOIS			FED. AID PROJECT		
			CONTRACT NO. 60D61		

SUPERSTRUCTURE DETAILS  
STRUCTURE NO. 016-2445

T:\16843A\Structural\Cadd\Pre-final\EB\_Plans\0162445-60D61-SUP-028.dgn  
07-MAY-2009