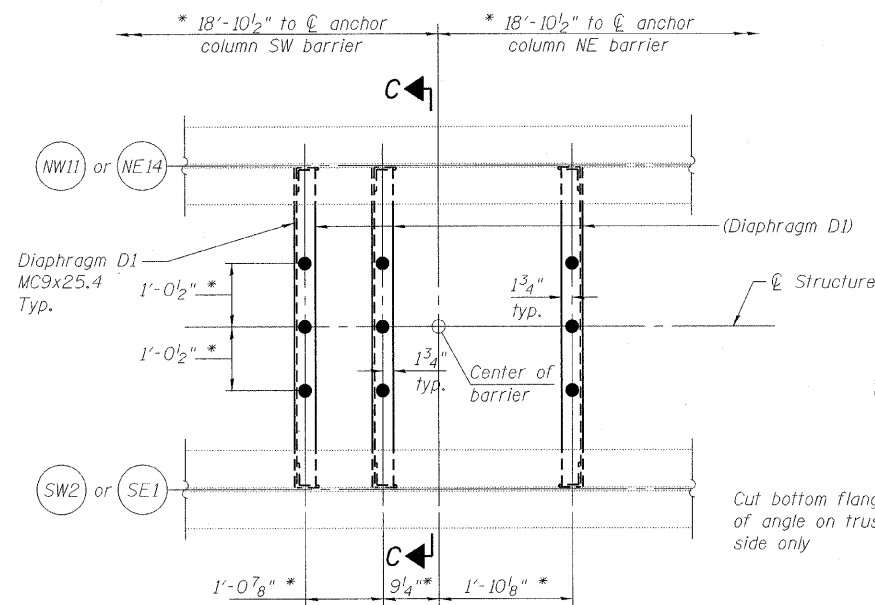
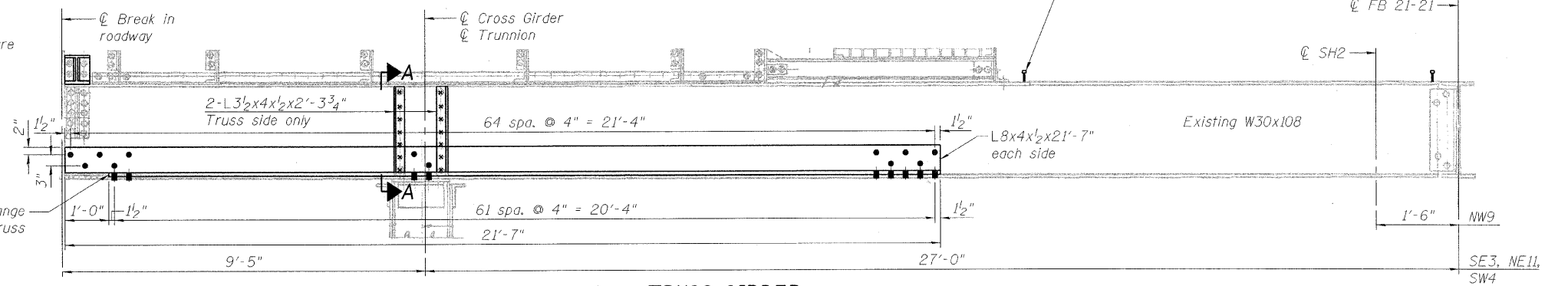
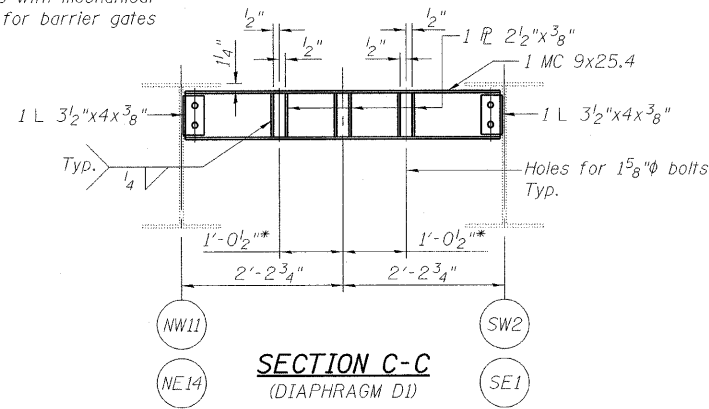


STATE OF ILLINOIS
DEPARTMENT OF TRANSPORTATION



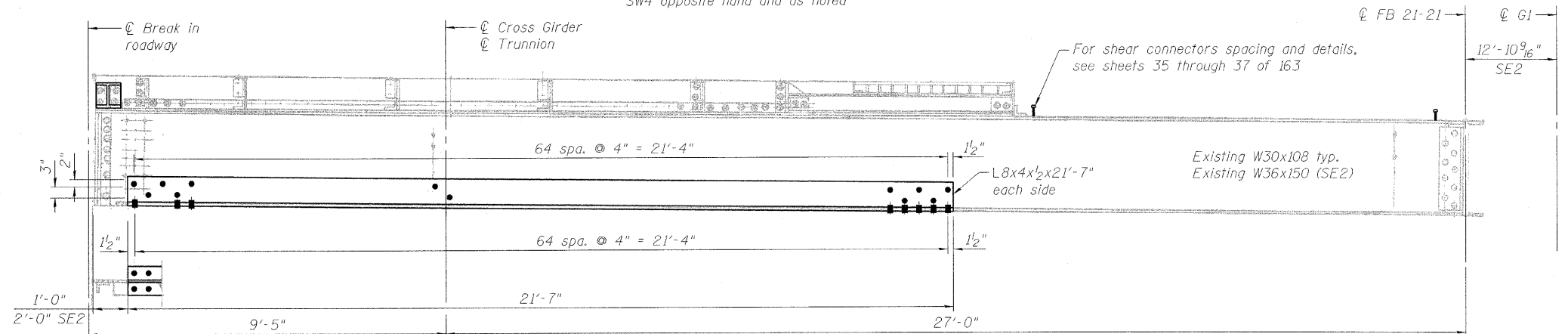
TRAFFIC BARRIER ANCHORAGE PLAN

* Coordinate with mechanical drawings for barrier gates



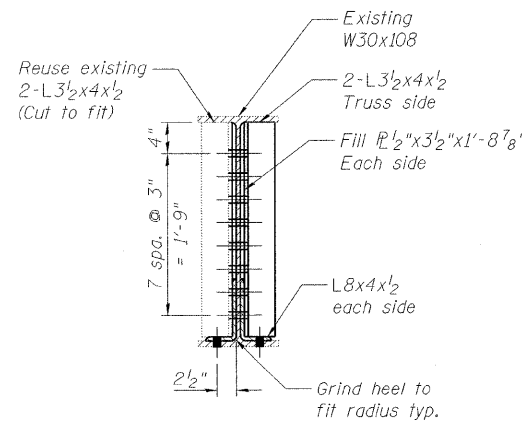
TRUSS GIRDER

SE3, NE11 as shown and
NW9 opposite hand and as noted
SW4 opposite hand and as noted

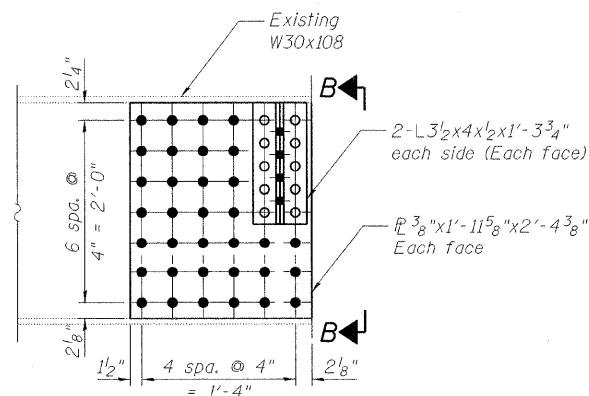


TRUSS GIRDER

NE12 as shown and
SE2 as shown and noted
SW3 & NW10 opposite hand and as noted

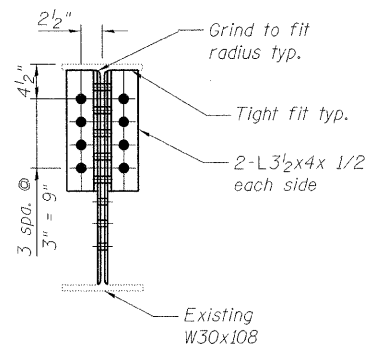


SECTION A-A

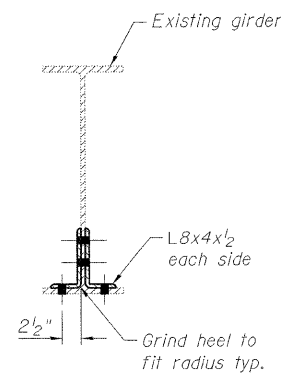


DETAIL E

(Stringers SW5 through SW10 & NE4 through NE9)



SECTION B-B



SECTION D-D

LEGEND

- Existing fastener to remain
- Hole to match existing location
- New hole
- Existing member to remain
- New member

Note:
Portions of this drawing are extracted from original drawings for this bridge. Details shown are provided to illustrate the work to be performed.

FRAMING DETAILS
FIXED SPANS
STRUCTURE NO. 016-2445

DESIGNED	A. HAMMAD
CHECKED	J. GRAINAWI
DRAWN	D. C. PATEL
CHECKED	A. HAMMAD

PB Americas, Inc.
230 WEST MONROE STREET,
SUITE 900
CHICAGO, IL. 60606

SHEET NO. 39	F.A.P. RTE.	SECTION	COUNTY	TOTAL SHEETS	SHEET NO.
	389	2424.2B-R	COOK	398	120
163 SHEETS			CONTRACT NO. 60D61		
FED. ROAD DIST. NO. 7 ILLINOIS FED. AID PROJECT					