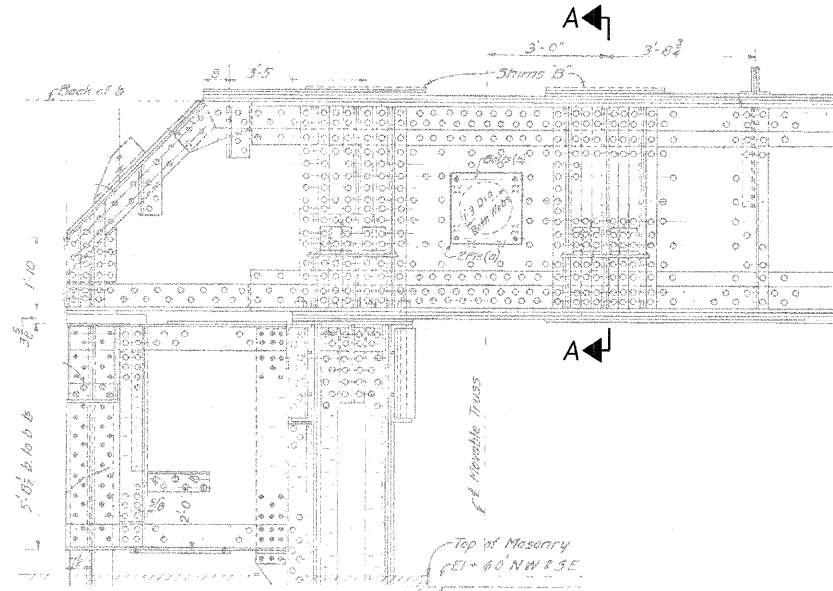
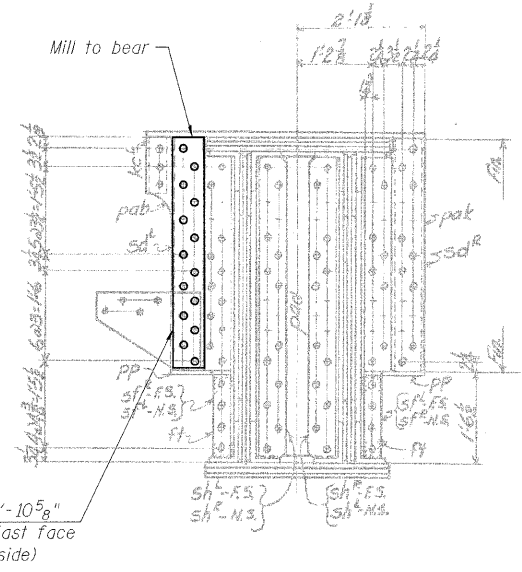
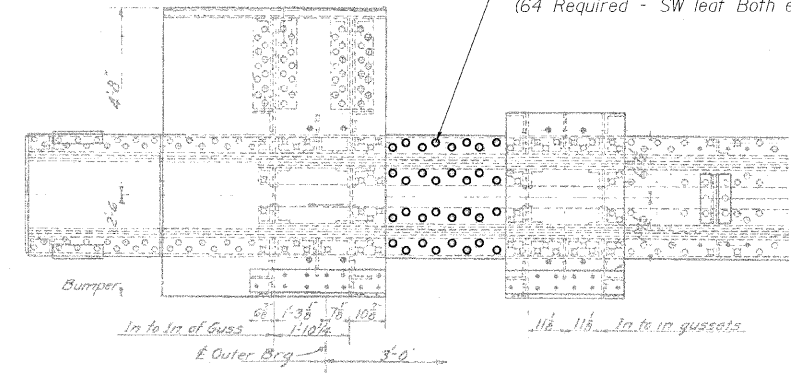
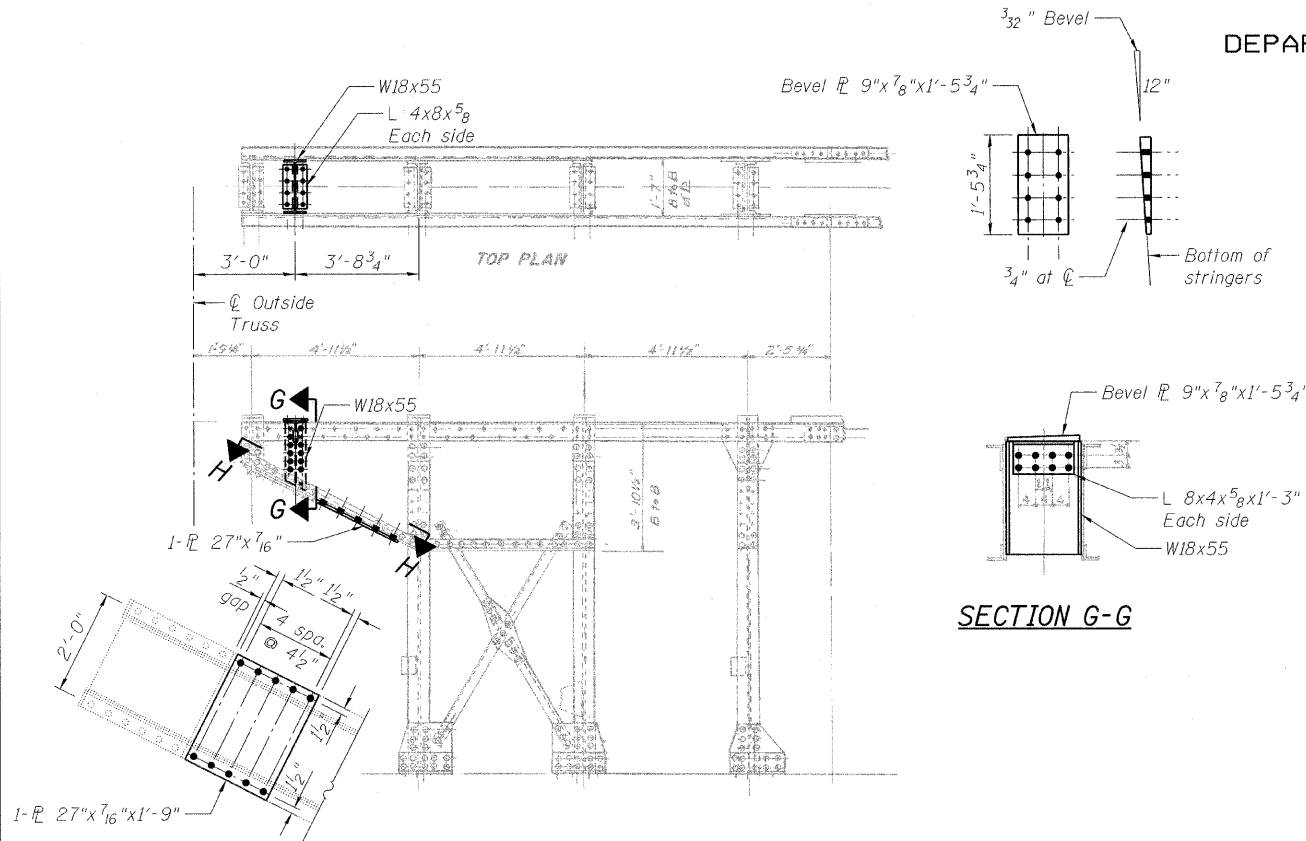


STATE OF ILLINOIS
DEPARTMENT OF TRANSPORTATION

Remove rivet and replace with H.S. Bolts
(32 Required - SE leaf North end)
(32 Required - NW leaf South end)
(64 Required - SW leaf Both ends)



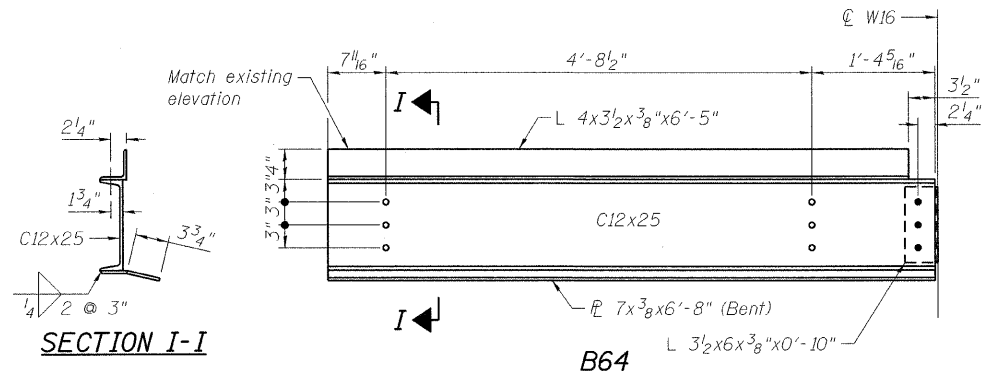
SECTION G-G

SECTION A-A

SECTION H-H

SECTION F-F

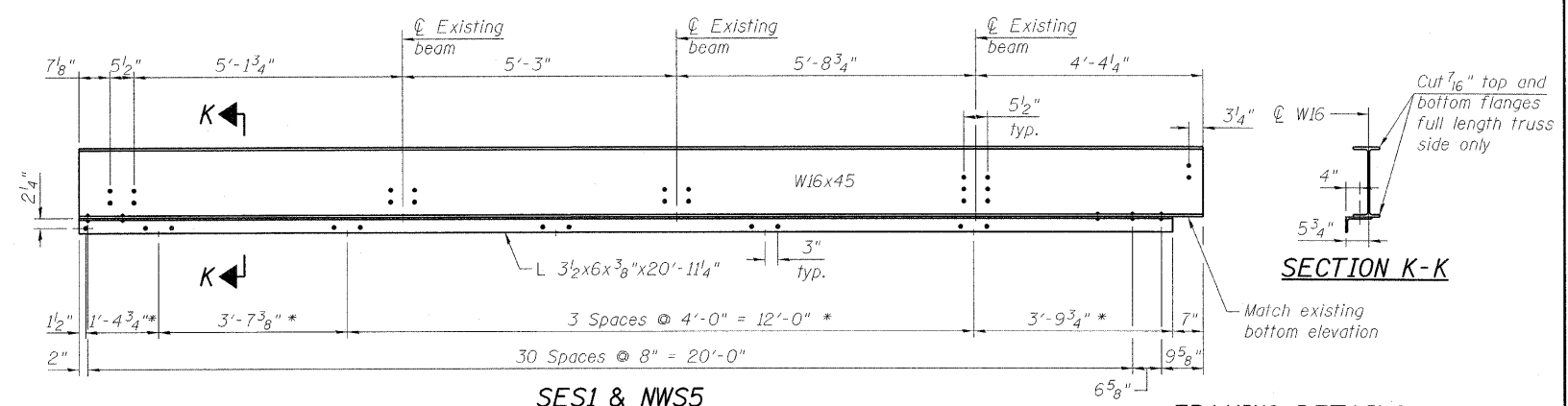
Note:
Beveled plates not shown on plan.



SECTION I-I

SECTION J-J

TRUNNION GIRDER



SES1 & NWS5

FRAMING DETAILS
FIXED SPANS
STRUCTURE NO. 016-2445

LEGEND

- Existing fastener to remain
- Hole to match existing location
- New hole
- Existing member to remain
- New member

Note:
Portions of this drawing are extracted from original drawings for this bridge. Details shown are provided to illustrate the work to be performed.

* Match existing holes for pit enclosure wall supports

DESIGNED	A. HAMMAD
CHECKED	J.GRAINAWI
DRAWN	D. C. PATEL
CHECKED	J.GRAINAWI

SHEET NO. 41 163 SHEETS	F.A.P RTE.	SECTION	COUNTY	TOTAL SHEETS	SHEET NO.
	389	2424.2B-R	COOK	398	122
PB Americas, Inc. 230 WEST MONROE STREET, SUITE 900 CHICAGO, IL. 60606			CONTRACT NO. 60D61		
FED. ROAD DIST. NO. 7 ILLINOIS FED. AID PROJECT					

T:\16843A\Structural\Cadd\Pre-final\EB_Plans\0162445-60D61-FRM-039.dgn
07-MAY-2009