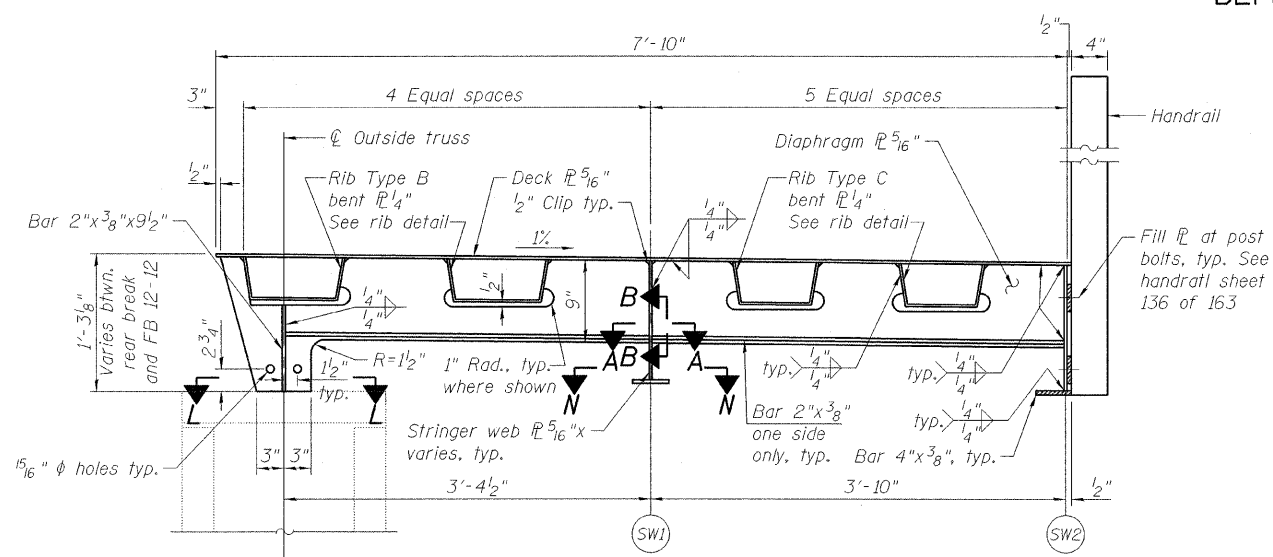
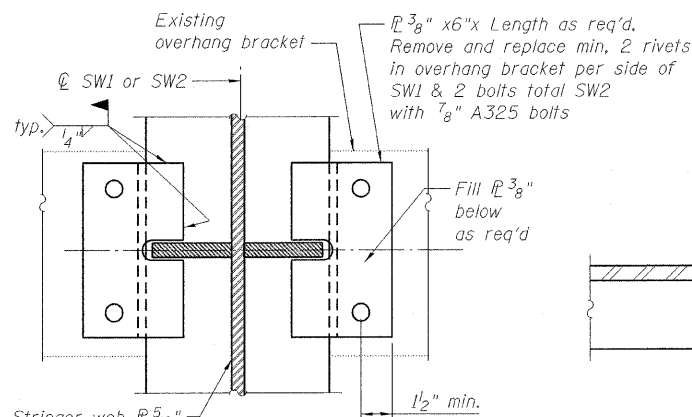


STATE OF ILLINOIS
DEPARTMENT OF TRANSPORTATION

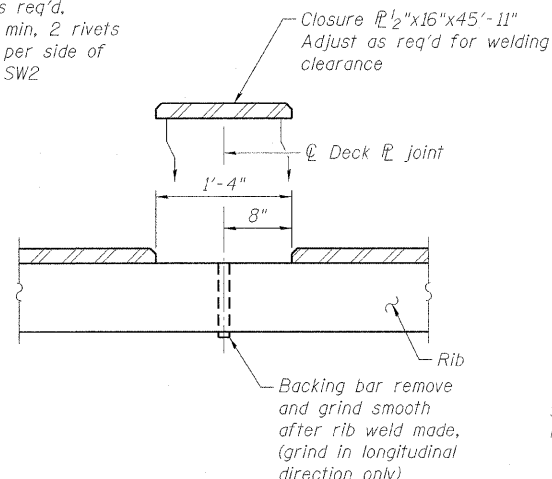


SECTION THRU SIDEWALK

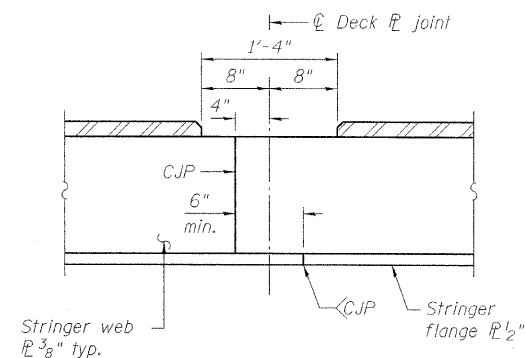
Note:
Bars 2"x3/8" shown this side for clarity. Locate opposite connection angle as shown in Section L-L.



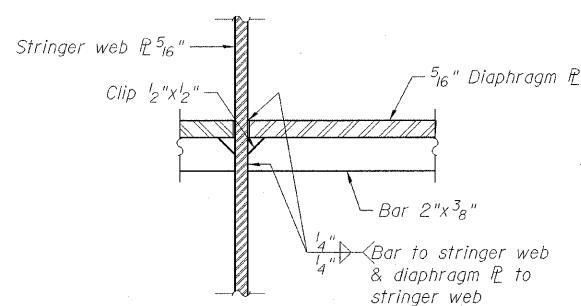
SECTION N-N
(Shown at existing bracket)



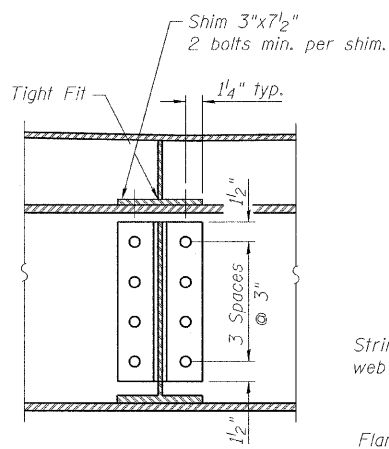
SECTION J-J (OPTIONAL)
(Shown at rib splice)



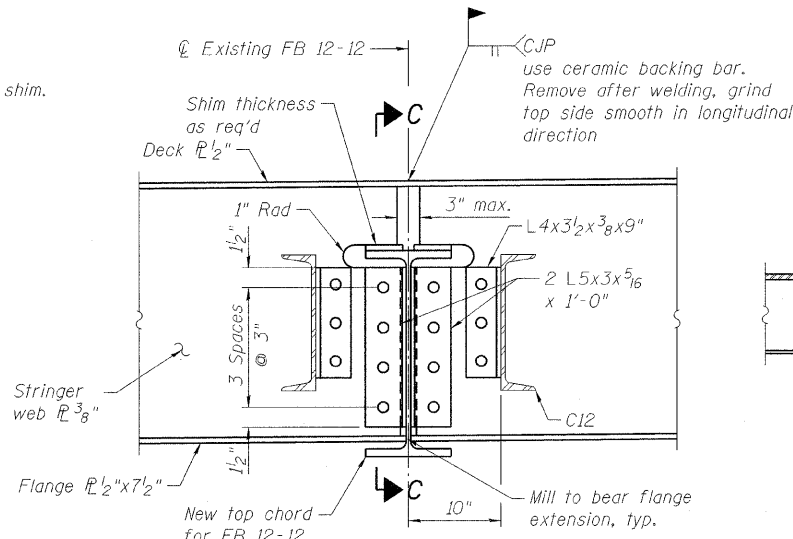
SECTION J-J (OPTIONAL)
(Shown at stringer splice)



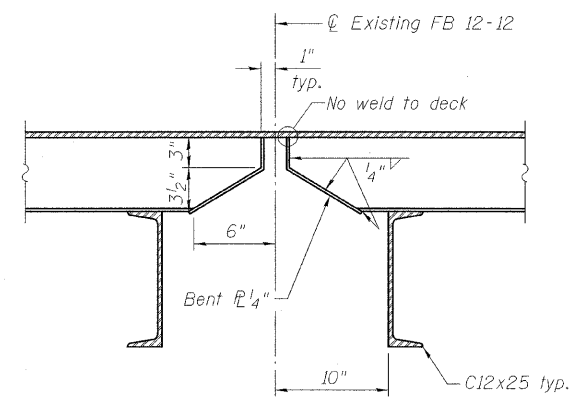
SECTION A-A



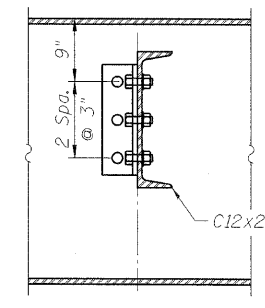
SECTION B-B



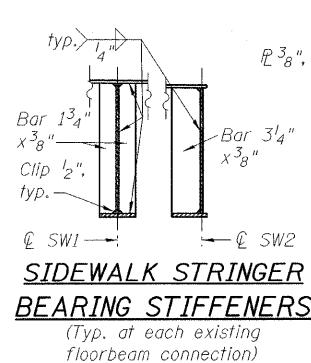
SECTION C-C



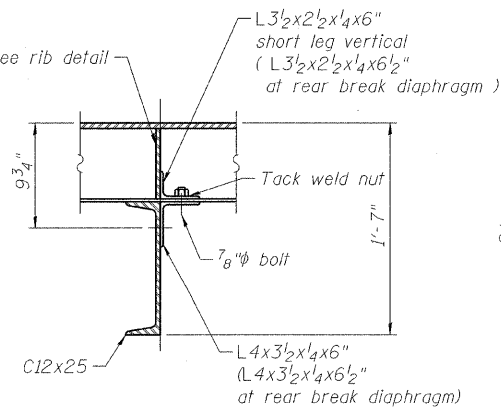
SECTION D-D



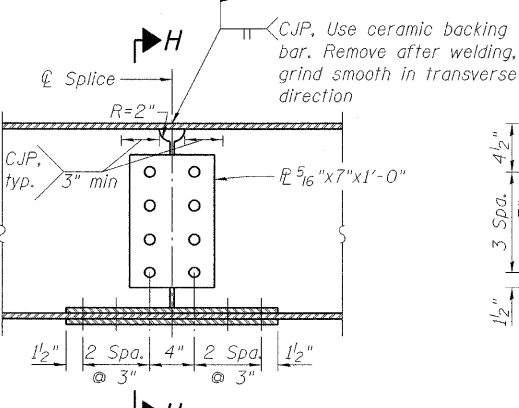
SECTION E-E



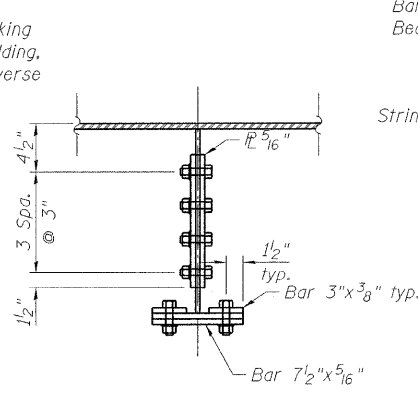
SIDEWALK STRINGER BEARING STIFFENERS
(Typ. at each existing floorbeam connection)



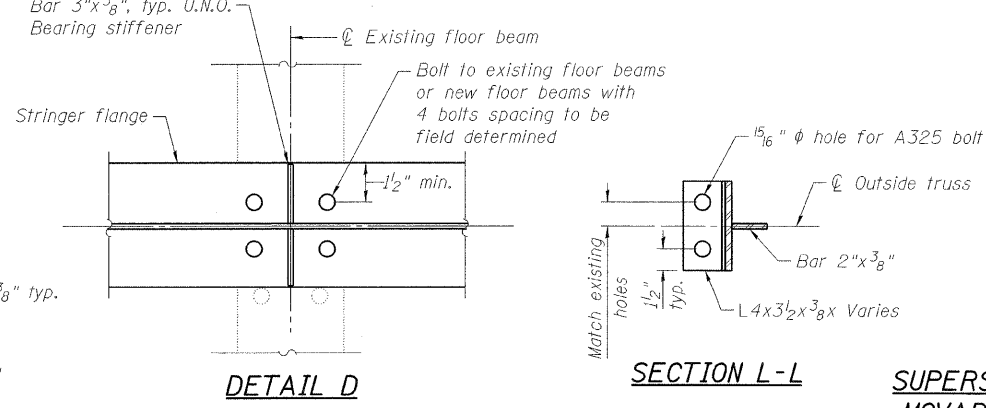
SECTION G-G



OPTIONAL BOLTED STRINGER SPLICE

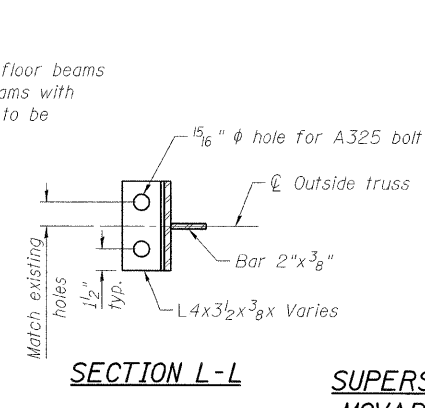


SECTION H-H



DETAIL D

Typical at all floorbeams except FB 0-0



SECTION L-L

SUPERSTRUCTURE MOVABLE SPANS STRUCTURE NO. 016-2445

DESIGNED	P. PILARSKI
CHECKED	J. GRAINAWI
DRAWN	D. C. PATEL
CHECKED	A. HAMMAD

Notes:
See Framing Plan for location of Section D-D & E-E.
See Deck Plan for location of Section J-J.
See sheet 48 of 163 for location of Section G-G & F-F and Rib Detail.

PB Americas, Inc.
230 WEST MONROE STREET,
SUITE 900
CHICAGO, IL. 60606

SHEET NO. 53	F.A.P RTE. 389	SECTION 2424.2B-R	COUNTY COOK	TOTAL SHEETS 398	SHEET NO. 134
163 SHEETS	CONTRACT NO. 60D61			FED. ROAD DIST. NO. 7 ILLINOIS FED. AID PROJECT	