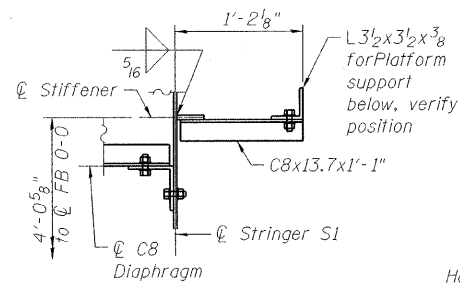
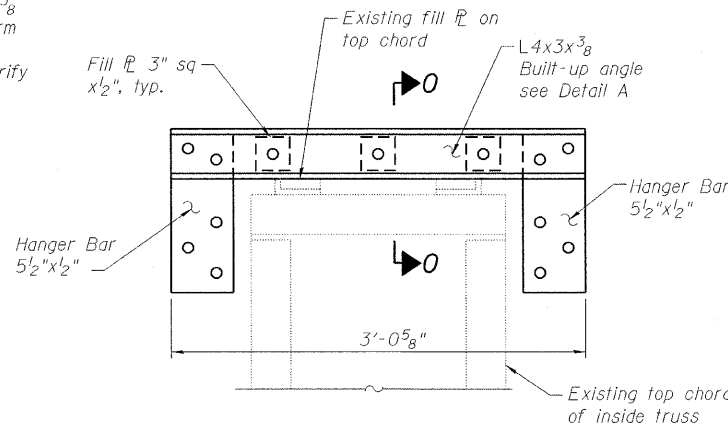


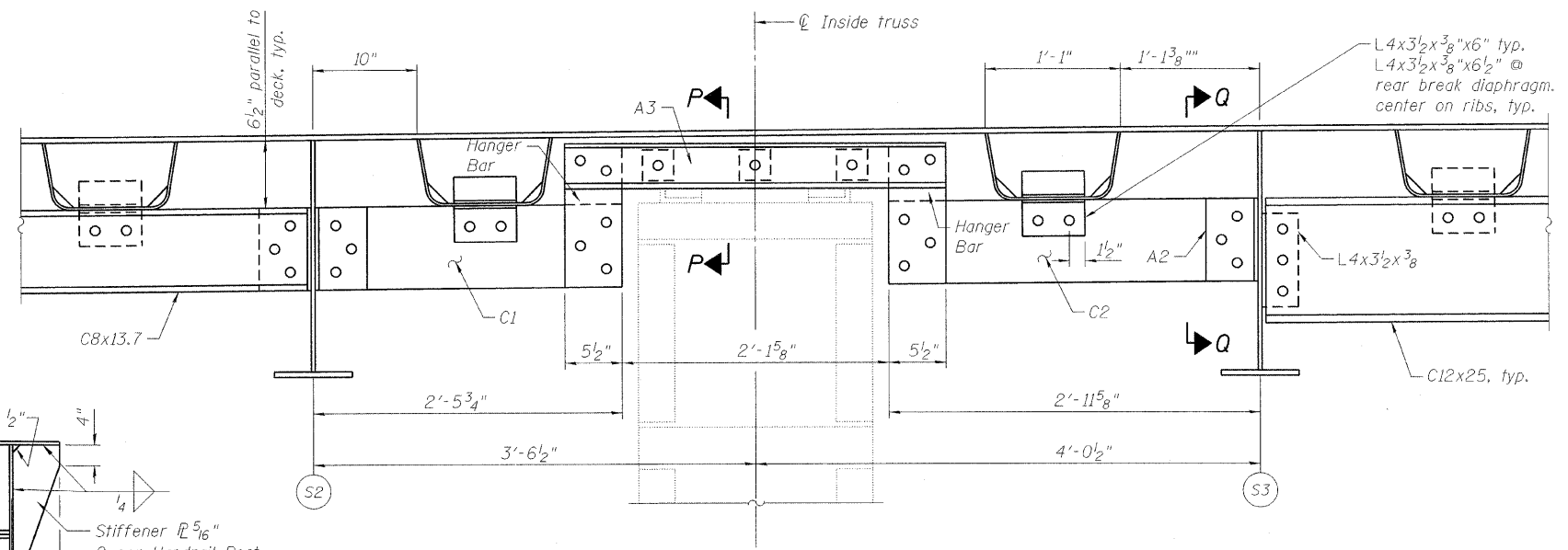
STATE OF ILLINOIS
DEPARTMENT OF TRANSPORTATION



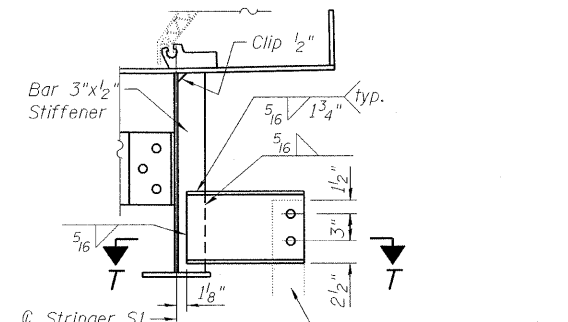
SECTION T-T



CHANNEL HANGER DETAIL AT INSIDE TRUSS

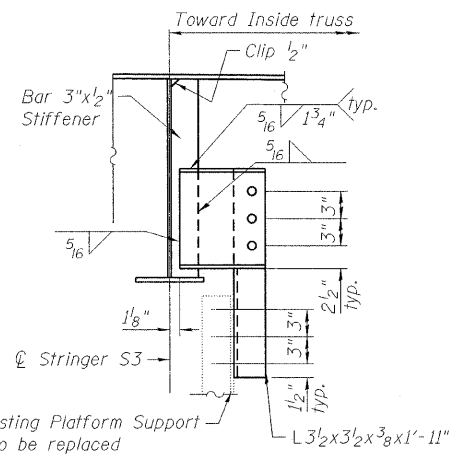


ASSEMBLED VIEW AT INSIDE TRUSS



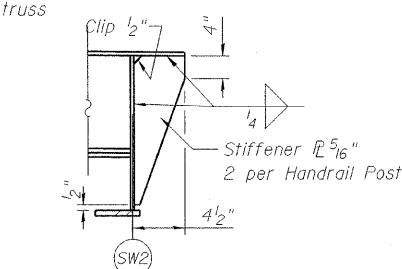
SECTION S-S

(Looking toward Rear break
SW and NE Leaf shown - others similar)

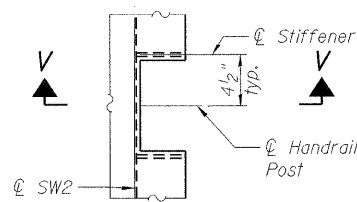


SECTION U-U

(Looking toward Rear break
SW and NE Leaf shown - others similar)

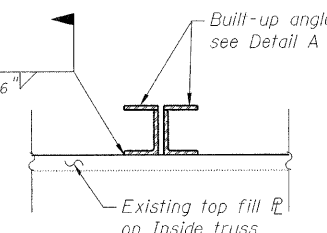


SECTION V-V

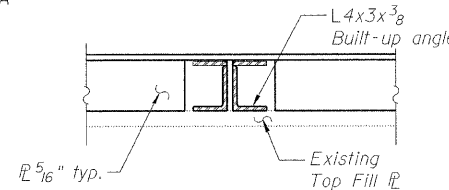


DETAIL F

Typ. Each Handrail Post

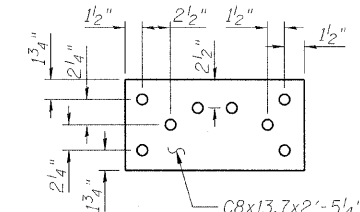


SECTION O-O

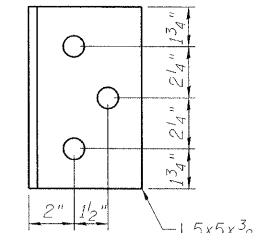


SECTION P-P

For disassembled views
see Channel Hanger Detail
and Section O-O

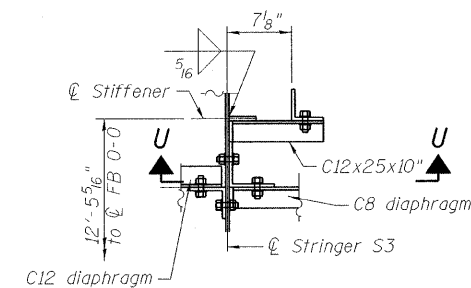


CHANNEL C2

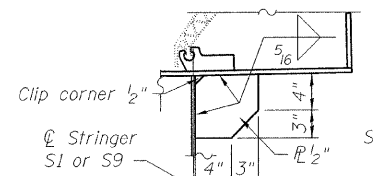


ANGLE A2

(Holes typ. each leg.)

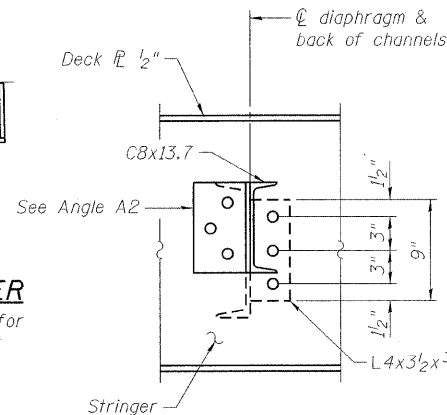


DETAIL E

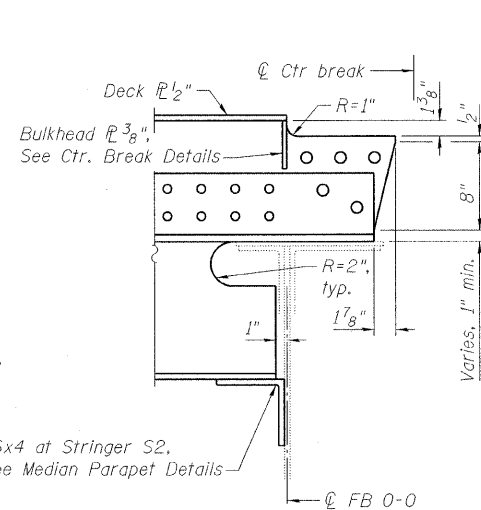


TOE CLIP STIFFENER

Typ. at each toe clip location for
Median and Sidewalk Parapet

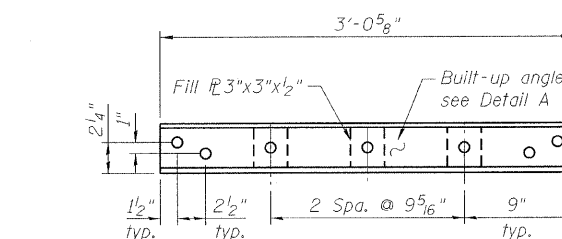


SECTION Q-Q

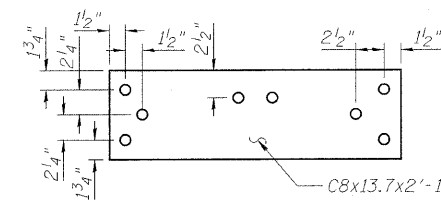


STRINGER END DETAIL

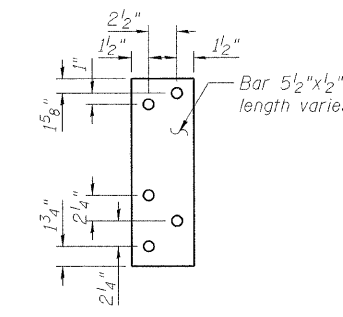
(Typ. at FB 0-0, see Ctr. Break Details for details and callouts not shown)



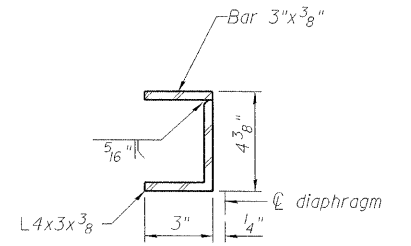
ANGLE A3



CHANNEL C1



HANGER BAR DETAIL



DETAIL A

Notes:
See sheets 49-52 of 163 for location of
Detail E and Section S-S.
See Deck Plans for location of Detail F.

**SUPERSTRUCTURE
MOVABLE SPAN
STRUCTURE NO. 016-2445**

DESIGNED	P. PILARSKI
CHECKED	J. GRAINAWI
DRAWN	D. C. PATEL
CHECKED	A. HAMMAD

SHEET NO. 54	F.A.P. RTE.	SECTION	COUNTY	TOTAL SHEETS	SHEET NO.
	389	2424.2B-R	COOK	398	135
163 SHEETS	CONTRACT NO. 60D61			FED. ROAD DIST. NO. 7 ILLINOIS FED. AID PROJECT	

PB Americas, Inc.
230 WEST MONROE STREET,
SUITE 900
CHICAGO, IL. 60606