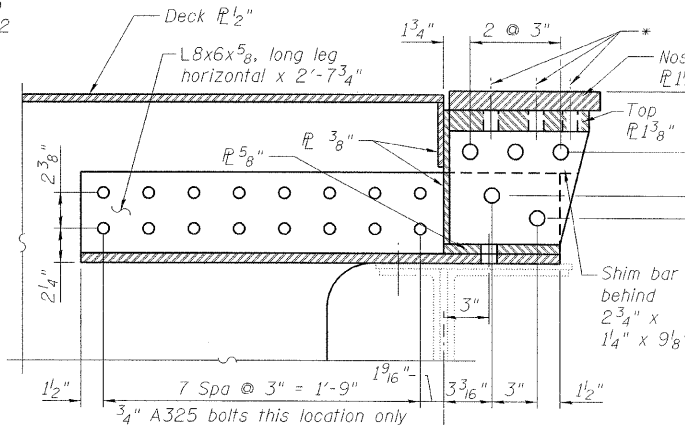
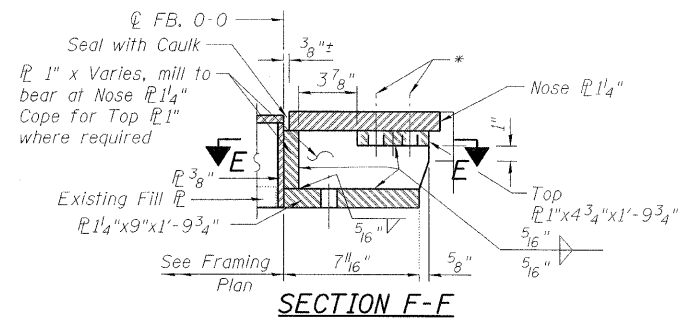
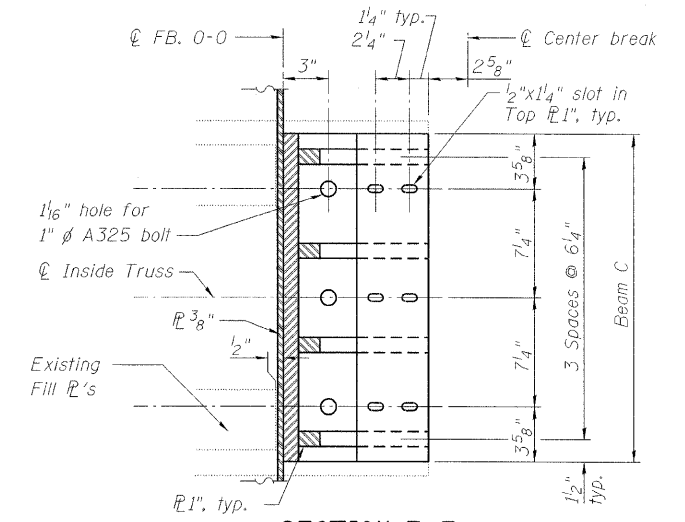
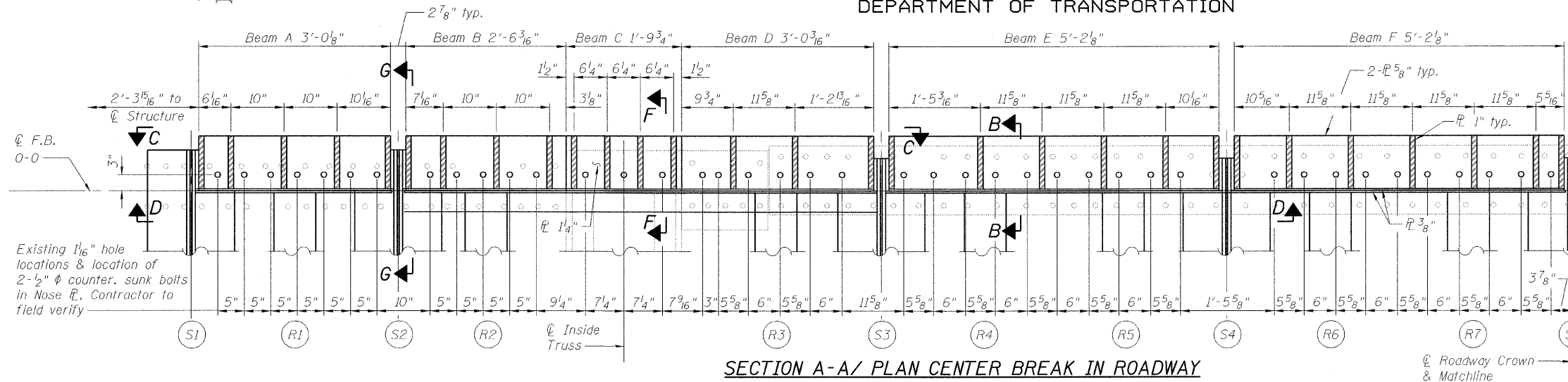


STATE OF ILLINOIS
DEPARTMENT OF TRANSPORTATION



Notes:

All bolts 7/8" A325 and all holes 1/16" larger than bolt unless noted otherwise.

All items shown this sheet that are not directly or indirectly welded to Deck flange shall be paid for under item Furnishing and Erecting Structural Steel.

All items welded to Deck flange shall be paid for under item Furnishing and Erecting Orthotropic Bridge Deck.

Shop paint all items.

**SUPERSTRUCTURE
MOVABLE SPANS
STRUCTURE NO. 016-2445**

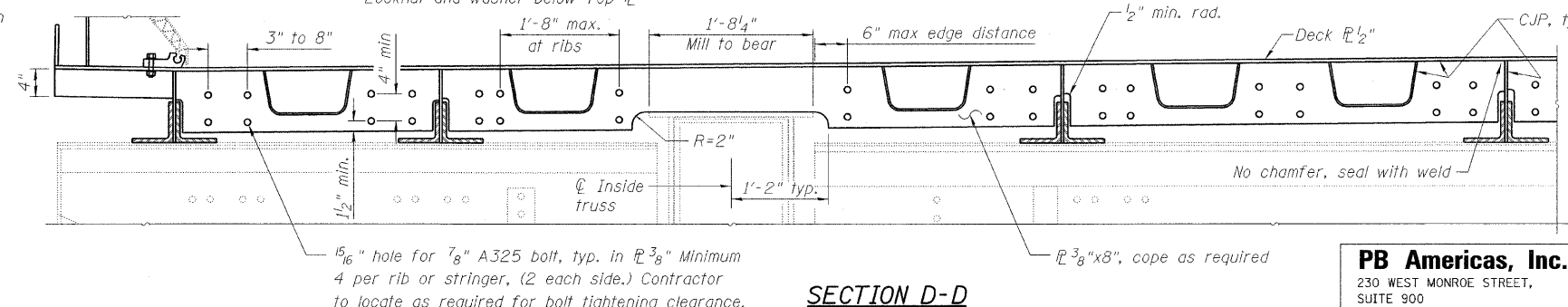
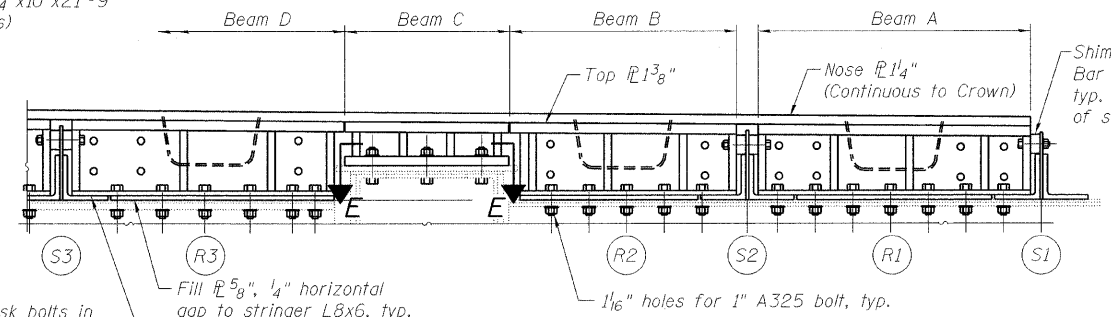
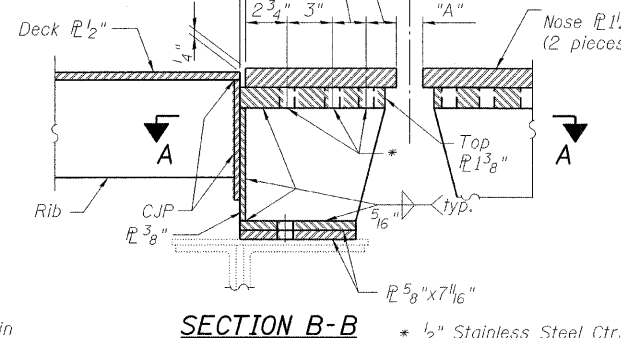
SHEET NO. 58 163 SHEETS	F.A.P. RTE.	SECTION	COUNTY	TOTAL SHEETS	SHEET NO.
	389	2424.2B-R	COOK	398	139
CONTRACT NO. 60D61			FED. ROAD DIST. NO. 7 ILLINOIS FED. AID PROJECT		

PB Americas, Inc.
230 WEST MONROE STREET,
SUITE 900
CHICAGO, IL. 60606

LEGEND

- Existing fastener to remain
- Hole to match existing location
- New hole
- Existing member to remain
- New member

DESIGNED	P. PILARSKI
CHECKED	J. GRAINAWI
DRAWN	D. C. PATEL
CHECKED	A. HAMMAD



T:\1684\AS\Structural\Cadd\Pre-final\EB_Plans\0162445-60D61-056-SUP.dgn
17-JUN-2009 17:53