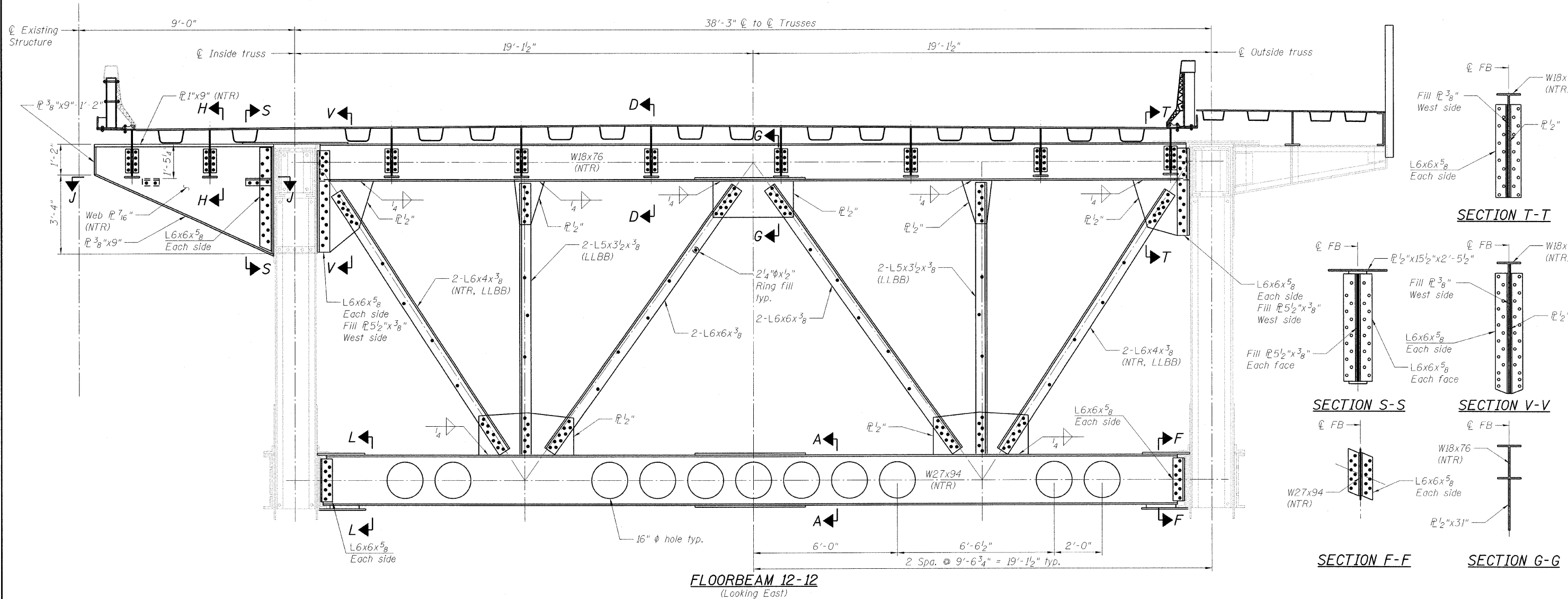


STATE OF ILLINOIS
DEPARTMENT OF TRANSPORTATION



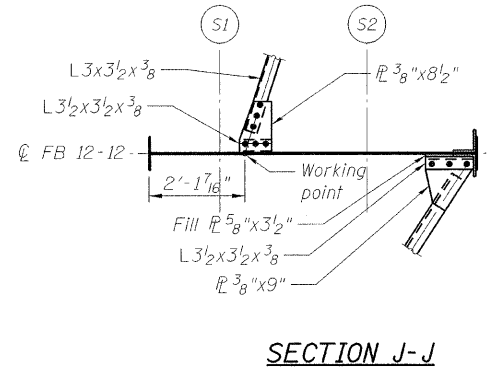
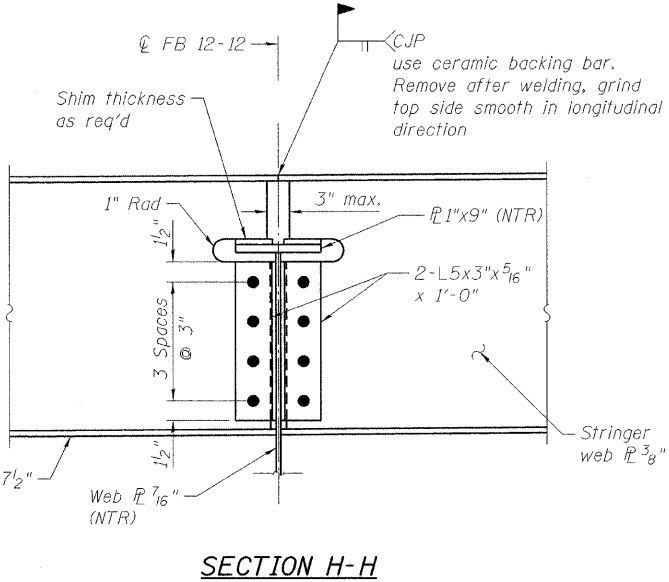
FLOORBEAM 12-12
(Looking East)

Notes:
For Sections A-A and L-L, see sheet 87 of 163.
For Sections D-D, see sheet 53 of 163.
Load carrying components designated "NTR" shall conform to the supplemental requirements for Notch Toughness, Zone 2.

- LEGEND**
- R&R Remove & replace
 - Existing fastener to remain
 - Hole to match existing location
 - New hole
 - Existing member to remain
 - New member

**FLOORBEAM DETAILS
SOUTHWEST LEAF
STRUCTURE NO. 016-2445**

DESIGNED	D. V. PATEL
CHECKED	J. GRAINAWI
DRAWN	D. C. PATEL
CHECKED	A. HAMMAD



PB Americas, Inc.
230 WEST MONROE STREET,
SUITE 900
CHICAGO, IL. 60606

SHEET NO. 65 163 SHEETS	F.A.P. RTE.	SECTION	COUNTY	TOTAL SHEETS	SHEET NO.
	389	2424.2B-R	COOK	398	146
CONTRACT NO. 60D61					
FED. ROAD DIST. NO. 7 ILLINOIS FED. AID PROJECT					

T:\16843A\Structural\Cadd\Pre-final\FB_Plans\0162445-60D61-065-FBE.dgn 17-JUN-2009 18:10