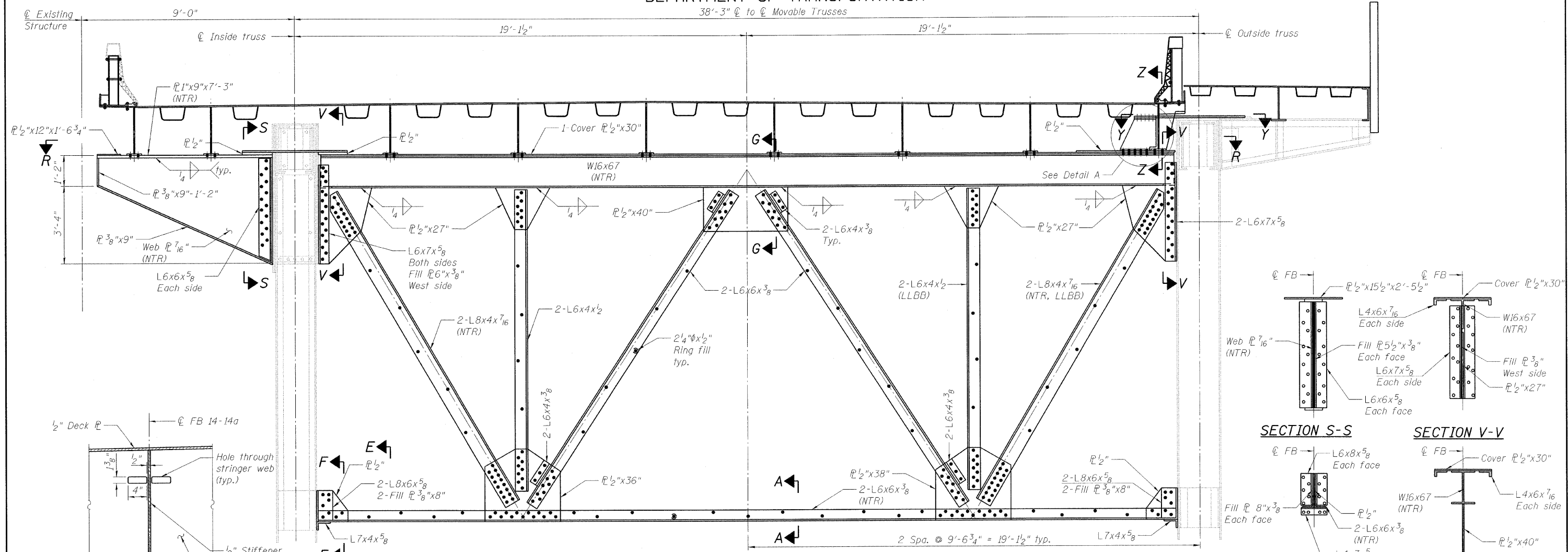
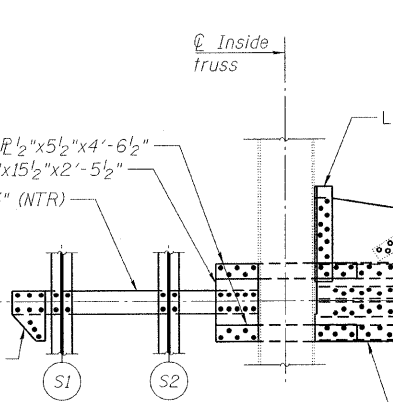


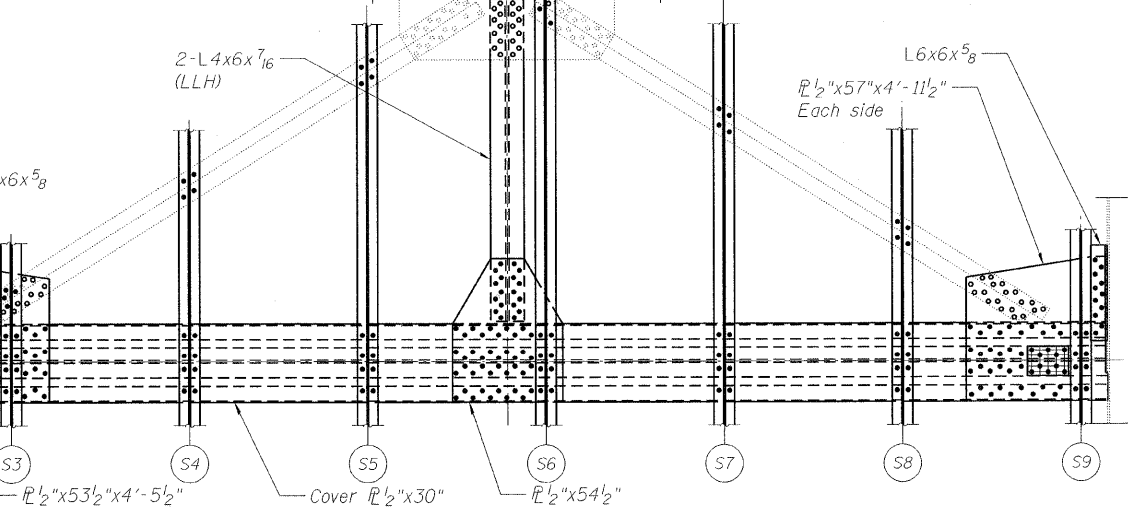
STATE OF ILLINOIS  
DEPARTMENT OF TRANSPORTATION  
38'-3"  $\phi$  to  $\phi$  Movable Trusses



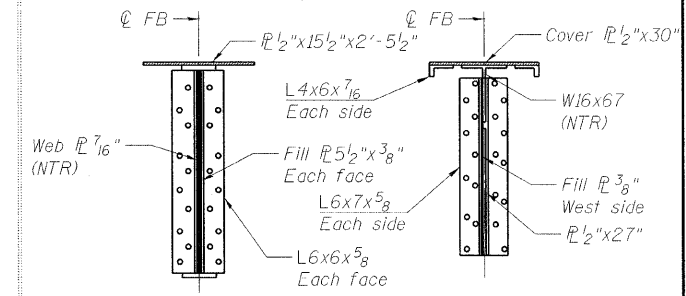
**SECTION Z-Z**



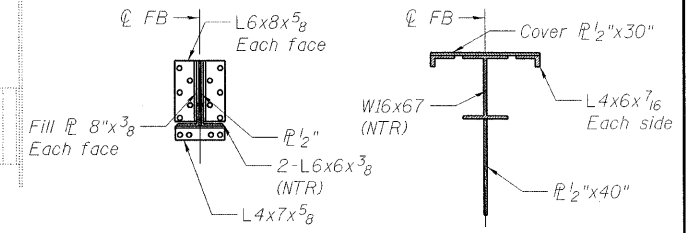
**FLOORBEAM 14-14a**  
(Looking East)



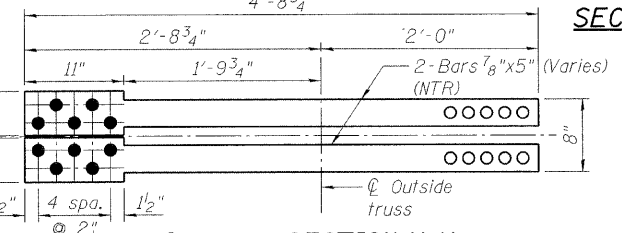
**SECTION S-S**



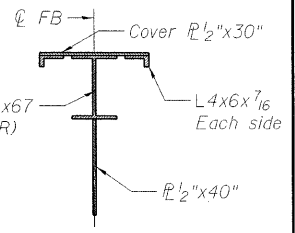
**SECTION V-V**



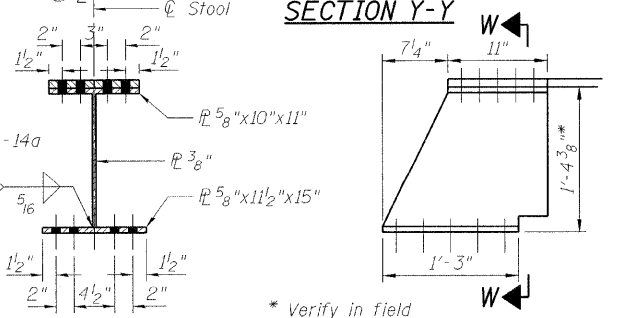
**SECTION F-F**



**SECTION G-G**



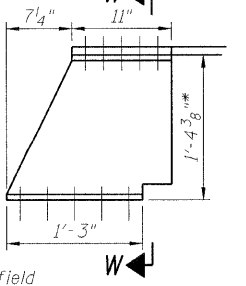
**SECTION Y-Y**



**SECTION W-W**



**DETAIL A**



Note:  
For Sections A-A and E-E,  
see sheet 88 of 163.  
Load carrying components designated "NTR"  
shall conform to the supplemental requirements  
for Notch Toughness, Zone 2.

**LEGEND**

R&R	Remove & replace
○	Existing fastener to remain
○	Hole to match existing location
●	New hole
—	Existing member to remain
—	New member

**FLOORBEAM DETAILS  
SOUTHWEST LEAF  
STRUCTURE NO. 016-2445**

DESIGNED	D. V. PATEL
CHECKED	J. GRAINAWI
DRAWN	D. C. PATEL
CHECKED	A. HAMMAD

SHEET NO. 66 163 SHEETS	F.A.P. RTE.	SECTION	COUNTY	TOTAL SHEETS	SHEET NO.
	389	2424.2B-R	COOK	398	147
PB Americas, Inc. 230 WEST MONROE STREET, SUITE 900 CHICAGO, IL. 60606			CONTRACT NO. 60D61		
FED. ROAD DIST. NO. 7 ILLINOIS FED. AID PROJECT					

T:\16843A\Structural\Cadd\Pre-final\EB\_Plans\0162445-60D61-086-FBE.dgn  
17-JUN-2009 18:10