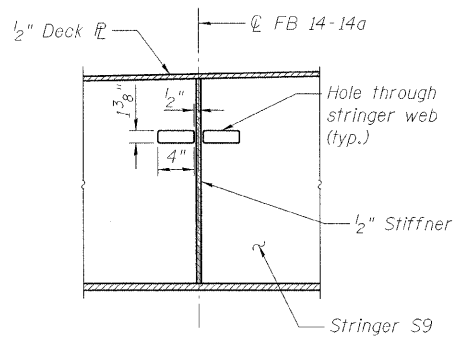
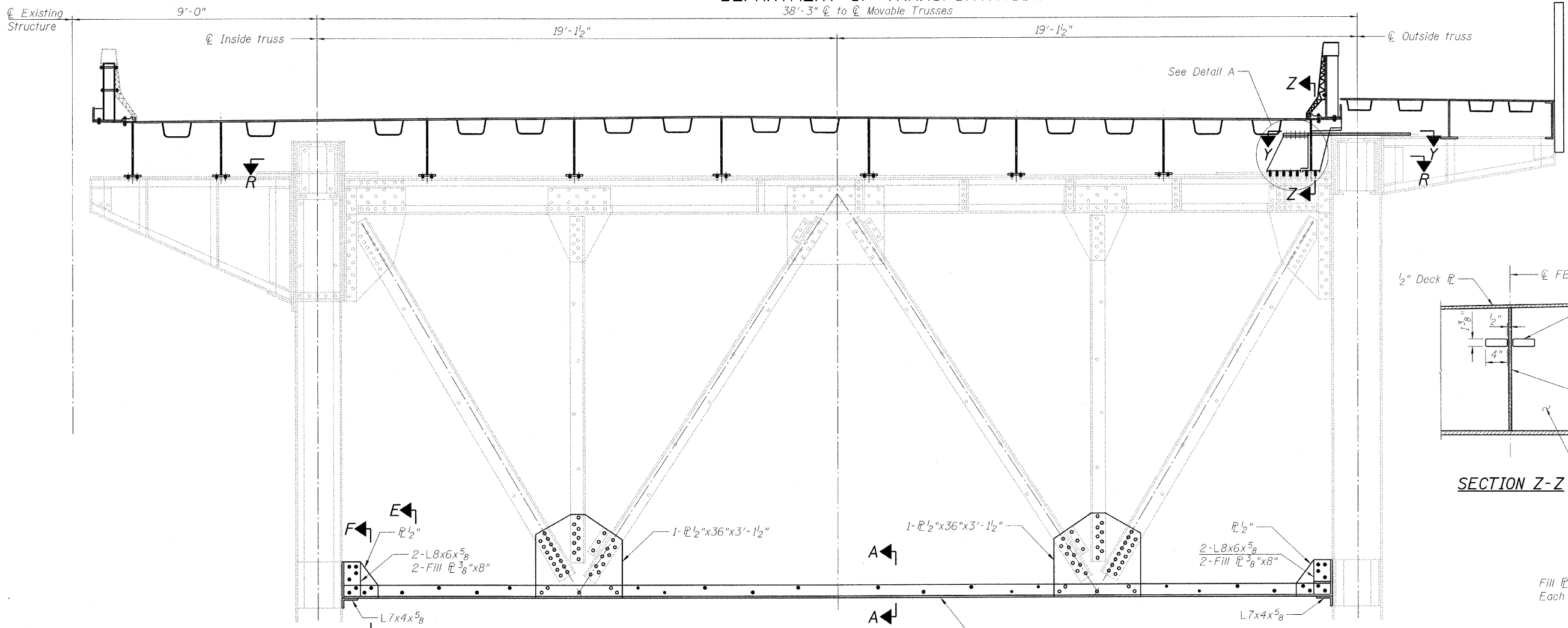
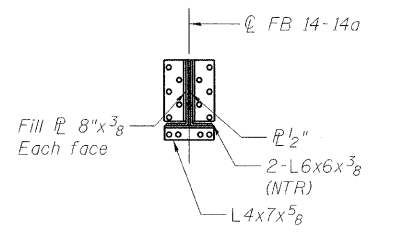


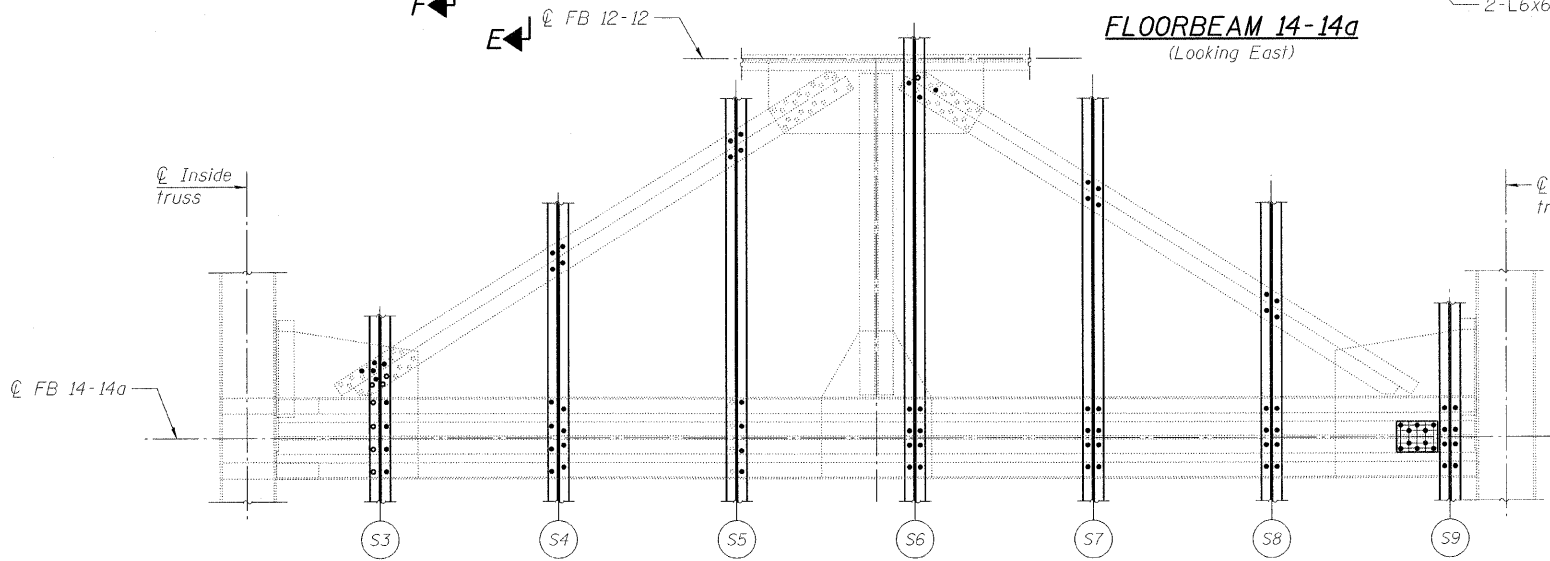
STATE OF ILLINOIS
DEPARTMENT OF TRANSPORTATION
38'-3" ϕ to ϕ Movable Trusses



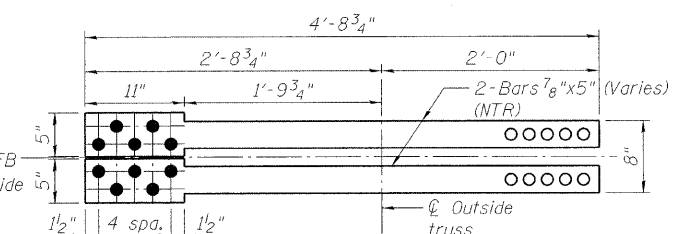
SECTION Z-Z



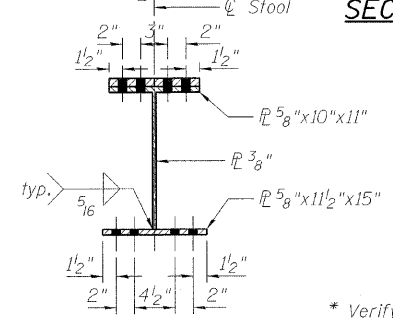
SECTION F-F



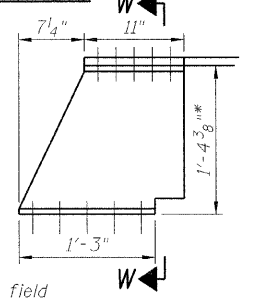
SECTION R-R



SECTION Y-Y



SECTION W-W



DETAIL A

Note:
For Sections A-A and E-E, see sheet 88 of 163

- LEGEND**
- R&R Remove & replace
 - Existing fastener to remain
 - Hole to match existing location
 - New hole
 - Existing member to remain
 - New member

**FLOORBEAM DETAILS
SOUTHEAST LEAF
STRUCTURE NO. 016-2445**

DESIGNED	B. GILHOUSEN
CHECKED	J. GRAINAWI
DRAWN	D. C. PATEL
CHECKED	A. HAMMAD

PB Americas, Inc.
230 WEST MONROE STREET,
SUITE 900
CHICAGO, IL. 60606

SHEET NO. 72 163 SHEETS	F.A.P RTE.	SECTION	COUNTY	TOTAL SHEETS	SHEET NO.
	389	2424.2B-R	COOK	398	153
FED. ROAD DIST. NO. 7 ILLINOIS			FED. AID PROJECT		
			CONTRACT NO. 60D61		

T:\16849A\Structural\Cadd\Pre-final\FB_Plan\162445-60D61-FBE-070.dgn
07-MAY-2009