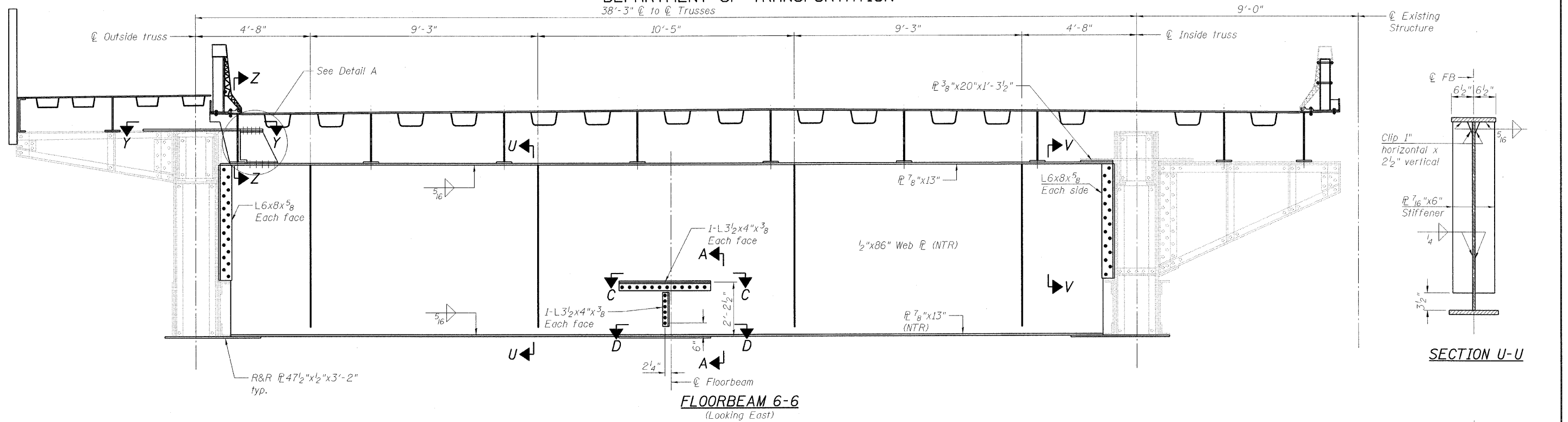
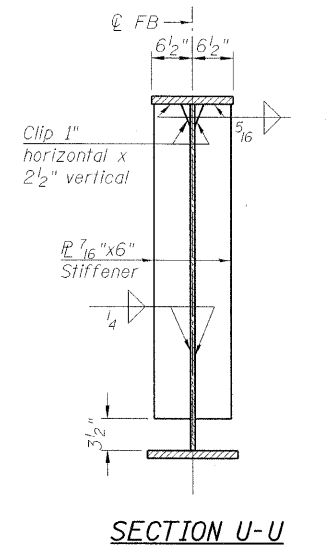


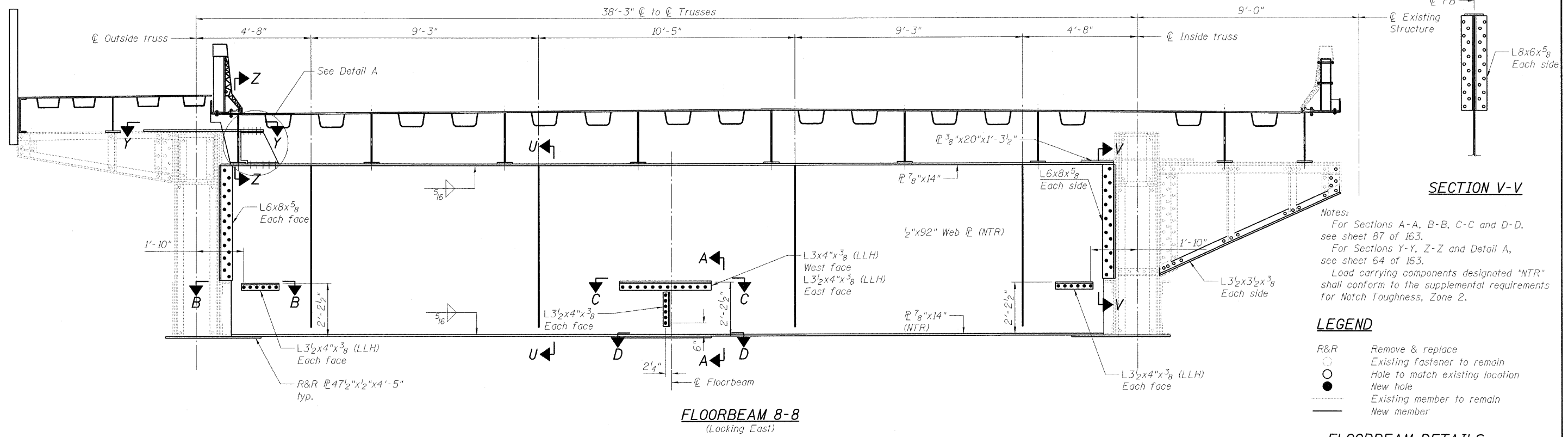
STATE OF ILLINOIS
DEPARTMENT OF TRANSPORTATION
38'-3" ϕ to ϕ Trusses



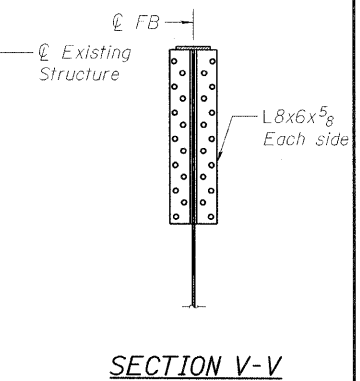
FLOORBEAM 6-6
(Looking East)



SECTION U-U



FLOORBEAM 8-8
(Looking East)



SECTION V-V

Notes:
For Sections A-A, B-B, C-C and D-D, see sheet 87 of 163.
For Sections Y-Y, Z-Z and Detail A, see sheet 64 of 163.
Load carrying components designated "NTR" shall conform to the supplemental requirements for Notch Toughness, Zone 2.

LEGEND
R&R Remove & replace
○ Existing fastener to remain
○ Hole to match existing location
● New hole
— Existing member to remain
— New member

FLOORBEAM DETAILS
NORTHEAST LEAF
STRUCTURE NO. 016-2445

DESIGNED	D. V. PATEL
CHECKED	J. GRAINAWI
DRAWN	D. C. PATEL
CHECKED	A. HAMMAD

PB Americas, Inc.
230 WEST MONROE STREET,
SUITE 900
CHICAGO, IL. 60606

SHEET NO. 75 163 SHEETS	F.A.P RTE.	SECTION	COUNTY	TOTAL SHEETS	SHEET NO.
	389	2424.2B-R	COOK	398	156
FED. ROAD DIST. NO. 7 ILLINOIS			CONTRACT NO. 60D61		
FED. AID PROJECT					

T:\1684\AS\Structural\Cadd\Pre-final\EB_Plans\0162445-60D61-FBE-073.dgn
07-MAY-2009