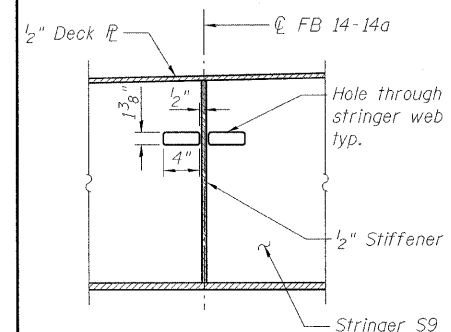
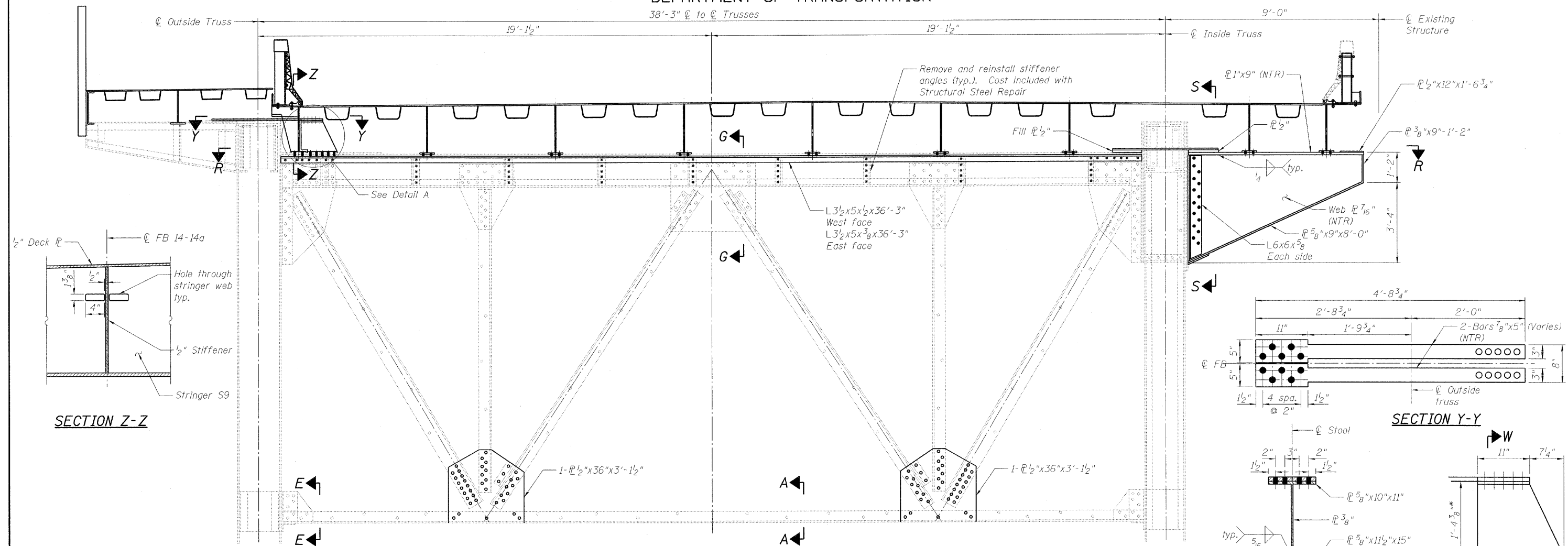
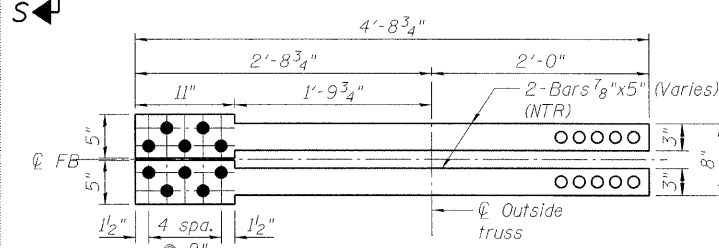


STATE OF ILLINOIS
DEPARTMENT OF TRANSPORTATION

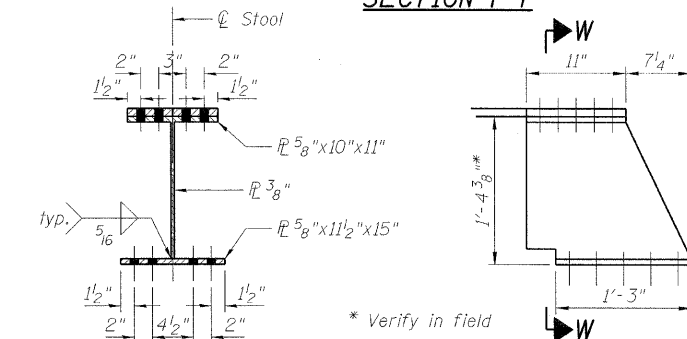
38'-3" ϕ to ϕ Trusses



SECTION Z-Z



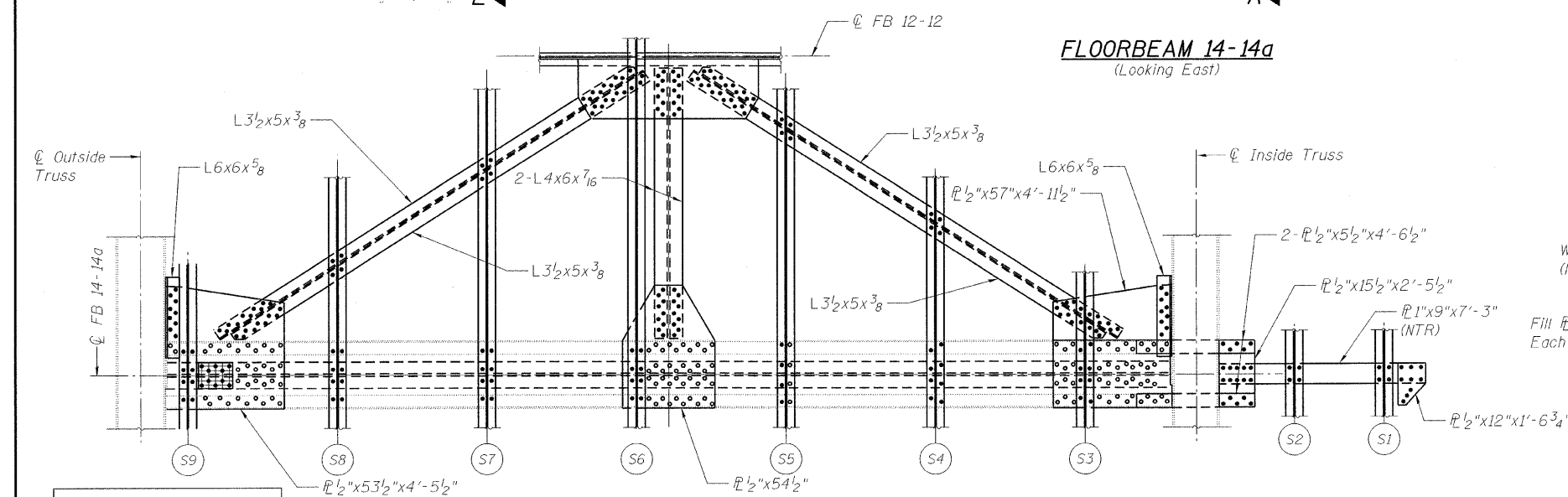
SECTION Y-Y



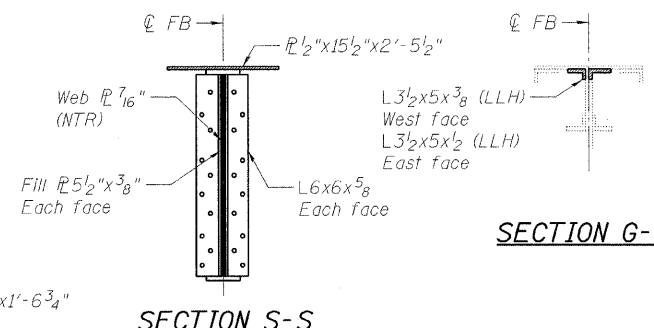
SECTION W-W

DETAIL A

FLOORBEAM 14-14a
(Looking East)



SECTION R-R



SECTION S-S

SECTION G-G

Note:
For Sections A-A and E-E,
see sheet 88 of 163.

- LEGEND**
- R&R Remove & replace
 - Existing fastener to remain
 - Hole to match existing location
 - New hole
 - Existing member to remain
 - New member

**FLOORBEAM DETAILS
NORTHEAST LEAF
STRUCTURE NO. 016-2445**

DESIGNED	B. GILHOUSEN
CHECKED	J. GRAINAWI
DRAWN	D. C. PATEL
CHECKED	A. HAMMAD

PB Americas, Inc.
230 WEST MONROE STREET,
SUITE 900
CHICAGO, IL. 60606

SHEET NO. 78 163 SHEETS	F.A.P RTE.	SECTION	COUNTY	TOTAL SHEETS	SHEET NO.
	389	2424.2B-R	COOK	398	159
			CONTRACT NO. 60D61		
FED. ROAD DIST. NO. 7 ILLINOIS FED. AID PROJECT					

T:\1684\Structural\Cadd\Pre-final\FEB_Plans\0162445-60D61-FBE-078.dgn 07-MAY-2009