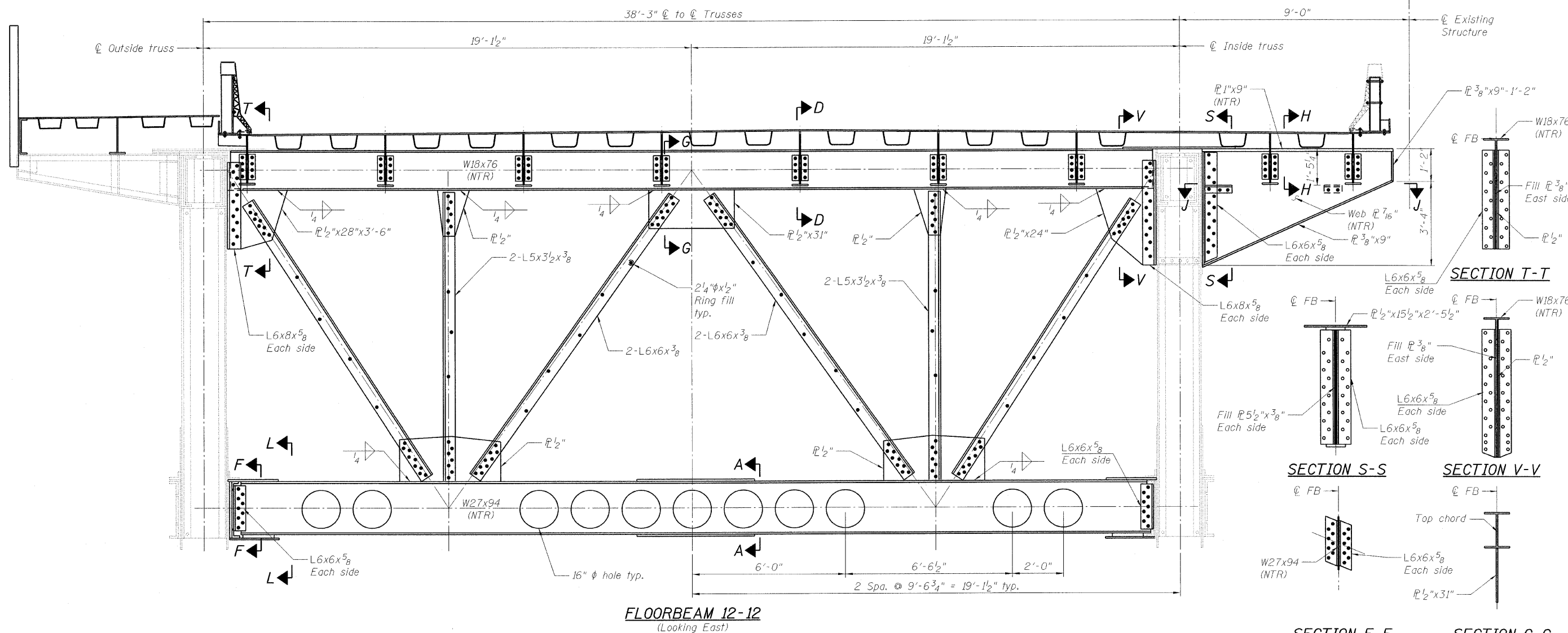


STATE OF ILLINOIS
DEPARTMENT OF TRANSPORTATION



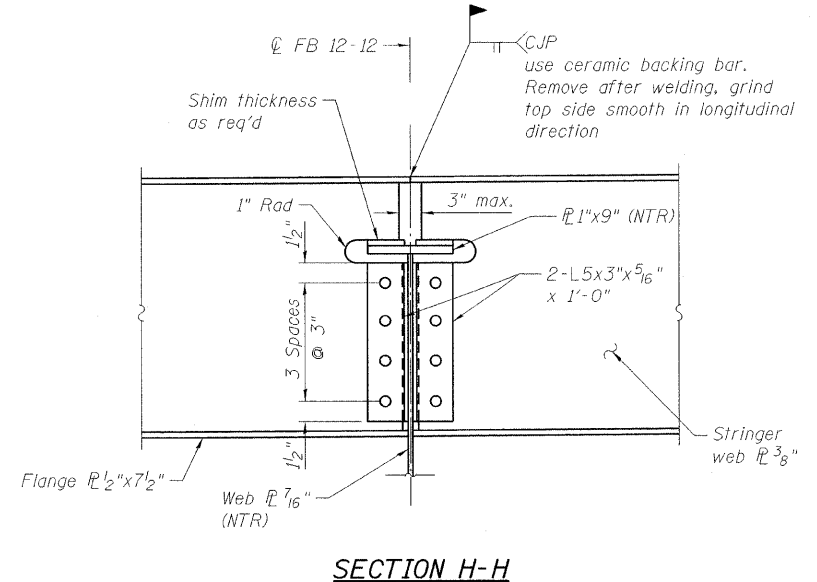
FLOORBEAM 12-12
(Looking East)

SECTION T-T
SECTION S-S
SECTION V-V
SECTION F-F
SECTION G-G

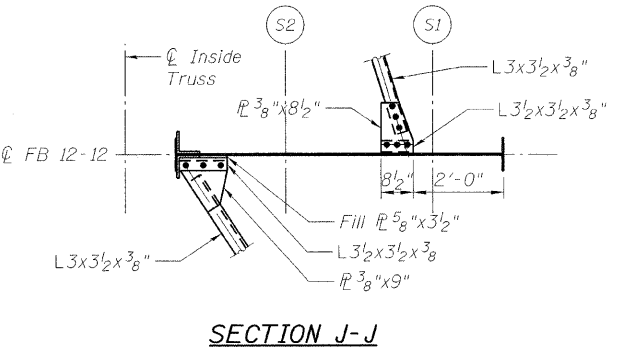
Notes:
For Sections A-A and L-L, see sheet 87 of 163.
For Sections D-D, see sheet 53 of 163.
Load carrying components designated "NTR" shall conform to the supplemental requirements for Notch Toughness, Zone 2.

LEGEND
R&R Remove & replace
○ Existing fastener to remain
○ Hole to match existing location
● New hole
— Existing member to remain
— New member

FLOORBEAM DETAILS
NORTHWEST LEAF
STRUCTURE NO. 016-2445



SECTION H-H



SECTION J-J

DESIGNED	B. GILHOUSEN
CHECKED	J. GRAINAWI
DRAWN	D. C. PATEL
CHECKED	A. HAMMAD

PB Americas, Inc.
230 WEST MONROE STREET,
SUITE 900
CHICAGO, IL. 60606

SHEET NO. 83	F.A.P. RTE. 389	SECTION 2424.2B-R	COUNTY COOK	TOTAL SHEETS 398	SHEET NO. 164
163 SHEETS	CONTRACT NO. 60D61		FED. ROAD DIST. NO. 7 ILLINOIS FED. AID PROJECT		

T:\1643A\Structural\Cadd\Pre-final\EB_Plans\0162445-60D61-083-FBE.dgn 17-JUN-2009 18:10