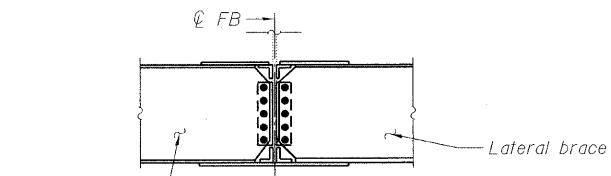
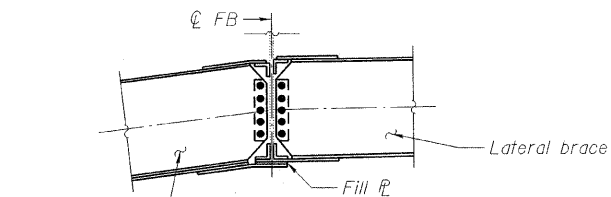


STATE OF ILLINOIS
DEPARTMENT OF TRANSPORTATION



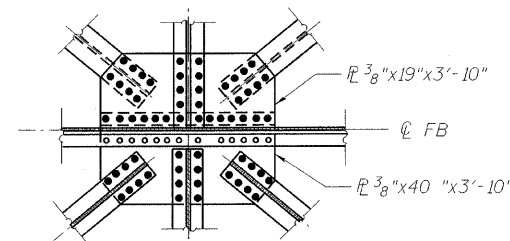
SECTION A-A

For Floorbeams 2-2 to 6-6



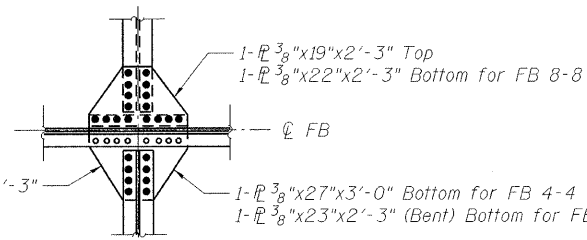
SECTION A-A

For Floorbeam 8-8



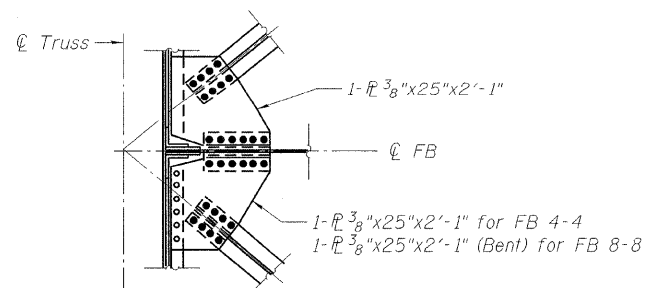
HALF SECTION C-C, HALF SECTION D-D

For Floorbeams 2-2 & 6-6



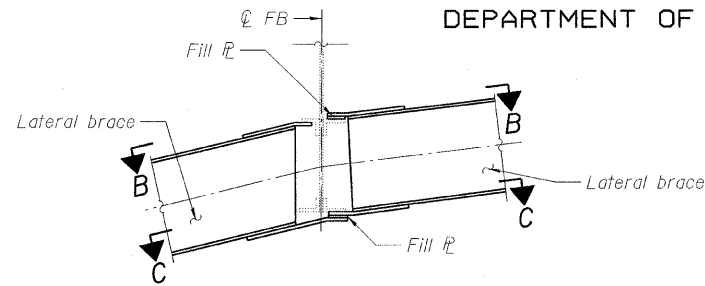
HALF SECTION C-C, HALF SECTION D-D

For Floorbeams 4-4 & 8-8



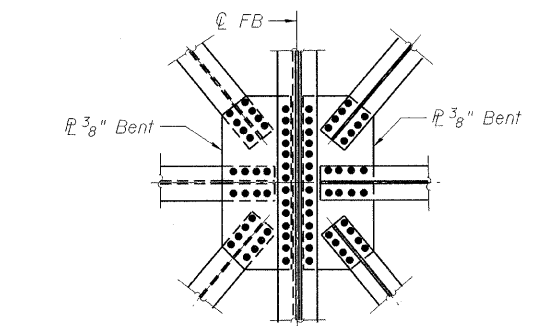
SECTION B-B

For Floorbeams 4-4 & 8-8



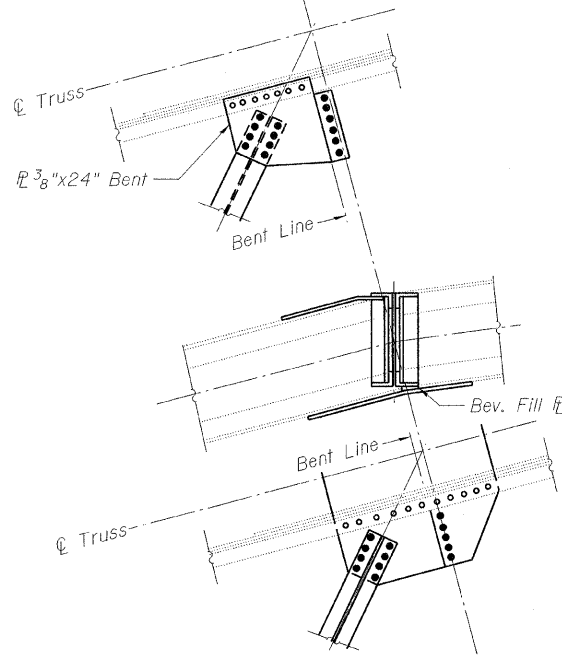
SECTION A-A

For Floorbeam 10-10



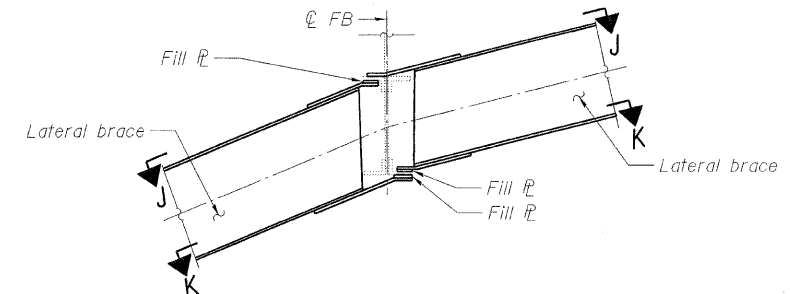
HALF SECTION B-B, HALF SECTION C-C

For Floorbeam 10-10



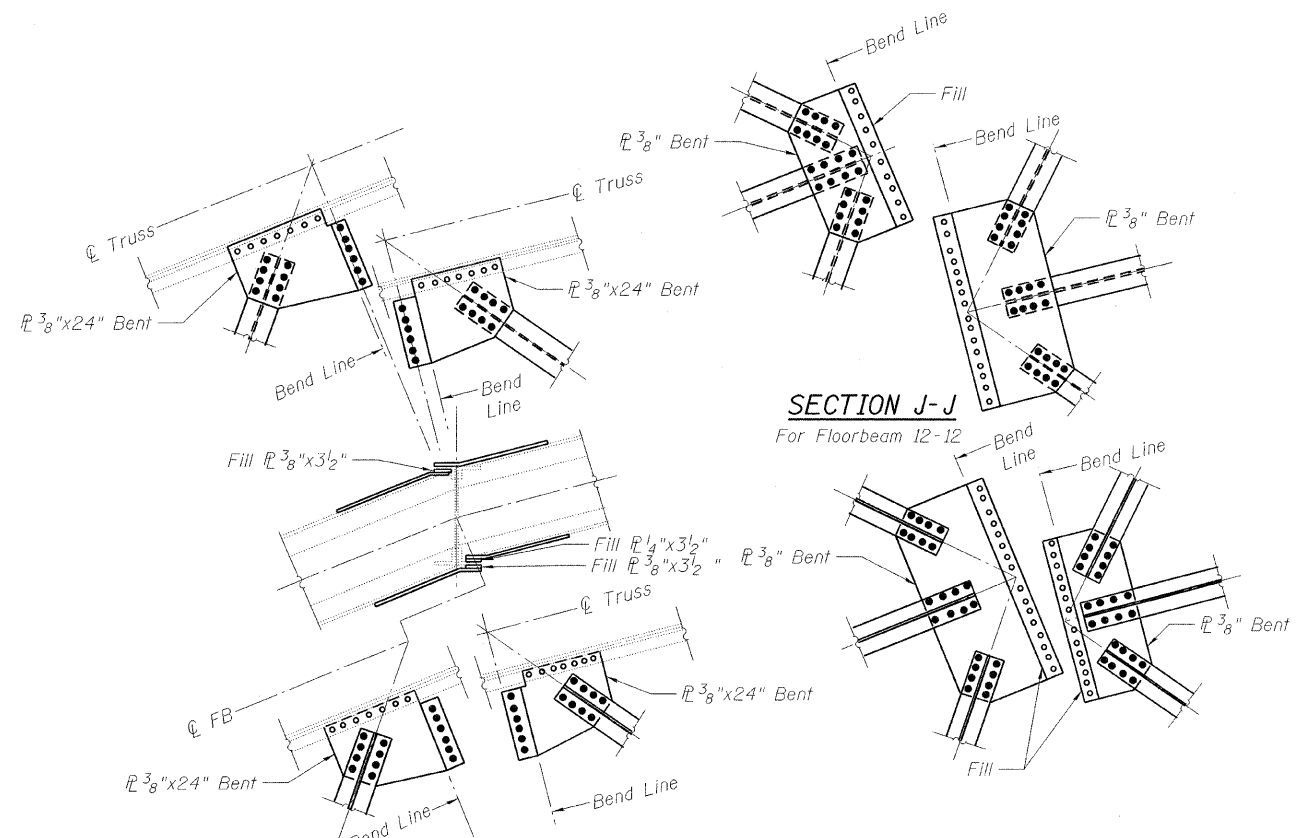
SECTION D-D

For Floorbeam 10-10



SECTION A-A

For Floorbeam 12-12



SECTION J-J

For Floorbeam 12-12

SECTION L-L

For Floorbeam 12-12

SECTION K-K

For Floorbeam 12-12

LEGEND

- Hole to match existing location
- New hole
- Existing member to remain
- New member

Note:
For section locations, see sheets 61-84 of 163
All plates for lateral bracing shall be removed and replaced in kind.

PB Americas, Inc.
230 WEST MONROE STREET,
SUITE 900
CHICAGO, IL. 60606

SHEET NO. 87 163 SHEETS	F.A.P. RTE.	SECTION	COUNTY	TOTAL SHEETS	SHEET NO.
	389	2424.2B-R	COOK	398	168
FED. ROAD DIST. NO. 7 ILLINOIS			CONTRACT NO. 60D61		
FED. AID PROJECT					

**LATERAL BRACING DETAILS
MOVABLE SPAN
STRUCTURE NO. 016-2445**

DESIGNED	A. HAMMAD
CHECKED	J. GRAINAWI
DRAWN	B. LOFLIN
CHECKED	A. HAMMAD