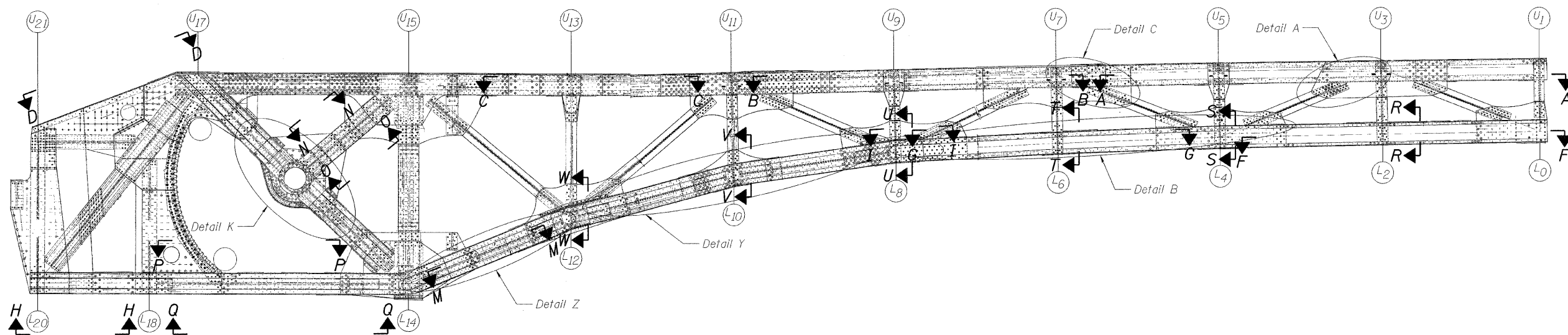
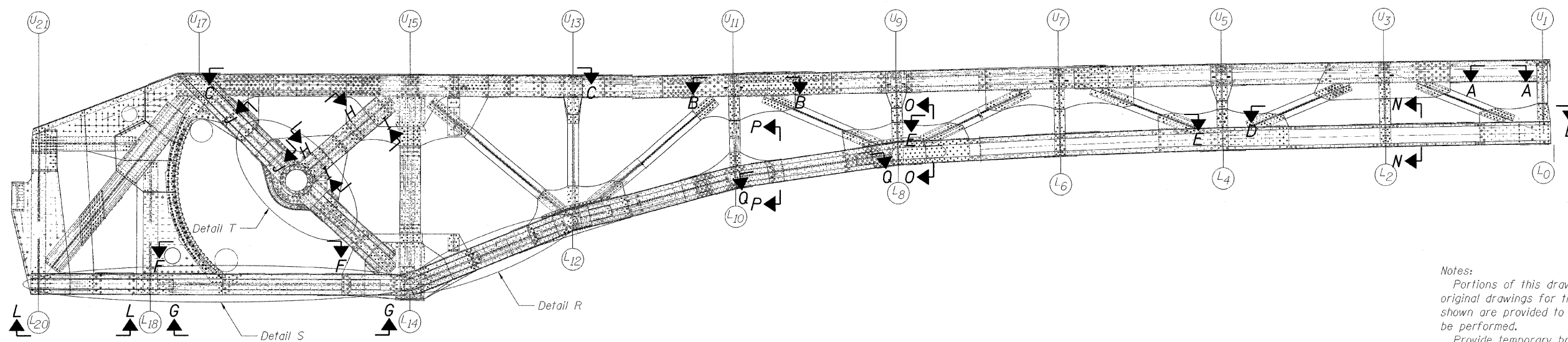


STATE OF ILLINOIS
DEPARTMENT OF TRANSPORTATION



INSIDE TRUSS SOUTHWEST LEAF
Looking North



OUTSIDE TRUSS SOUTHWEST LEAF
Looking North

Notes:
Portions of this drawing are extracted from original drawings for this bridge. Details shown are provided to illustrate the work to be performed.
Provide temporary bracing and supports to maintain structural integrity during rehabilitation. Cost included in the cost of "Structural Steel Repair".
For inside truss southwest leaf section and details see sheets 90-94, of 163.
For outside truss southwest leaf section and details see sheets 95-98, of 163.

**TRUSS REPAIRS (SOUTHWEST)
STRUCTURE NO. 016-2445**

DESIGNED	D. V. PATEL
CHECKED	J. GRAINAWI
DRAWN	D. C. PATEL
CHECKED	A. HAMMAD

PB Americas, Inc.
230 WEST MONROE STREET,
SUITE 900
CHICAGO, IL. 60606

SHEET NO. 89 163 SHEETS	F.A.P. RTE.	SECTION	COUNTY	TOTAL SHEETS	SHEET NO.
	389	2424.2B-R	COOK	398	170
FED. ROAD DIST. NO. 7 ILLINOIS			CONTRACT NO. 60D61		
FED. AID PROJECT					

T:\16843A\Structural\Cadd\Pre-final\EB_Plans\0162445-60D61-089-TRR.dgn
05-JUN-2009 10:02