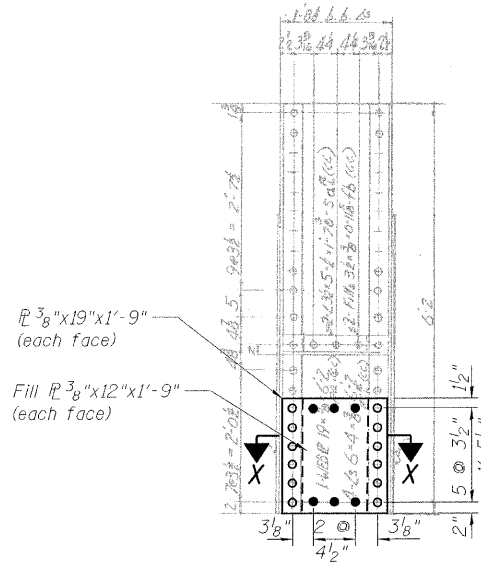
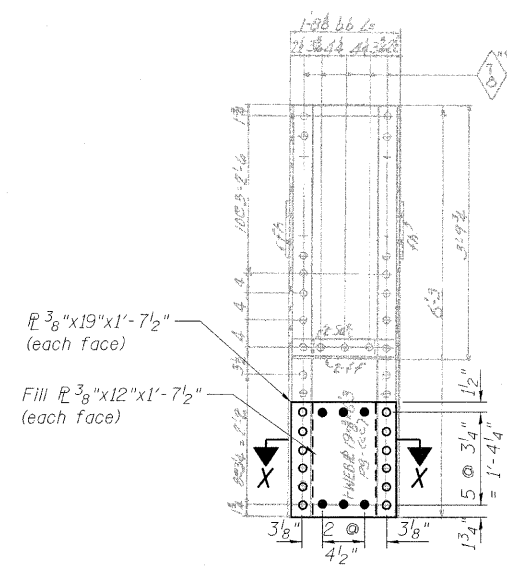


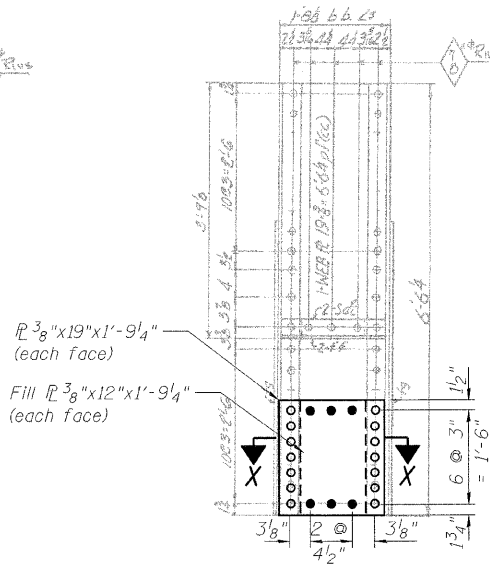
STATE OF ILLINOIS  
DEPARTMENT OF TRANSPORTATION



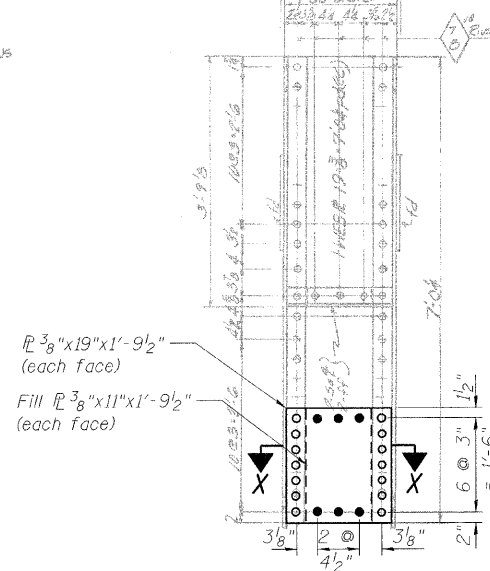
**SECTION R-R**  
POST L2-U3



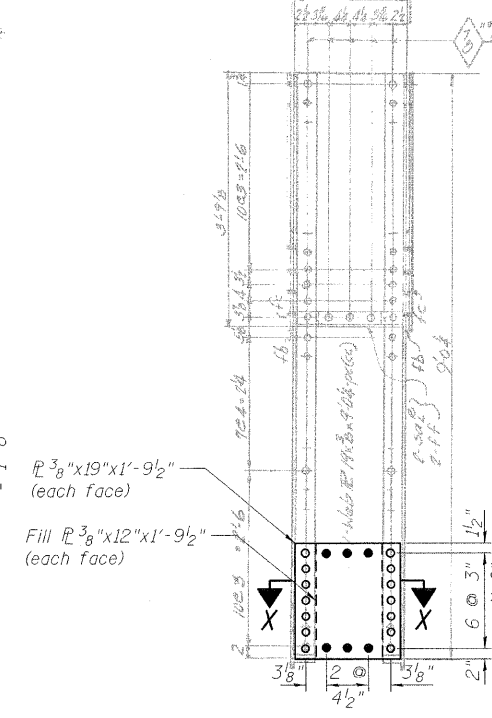
**SECTION S-S**  
POST L4-U5



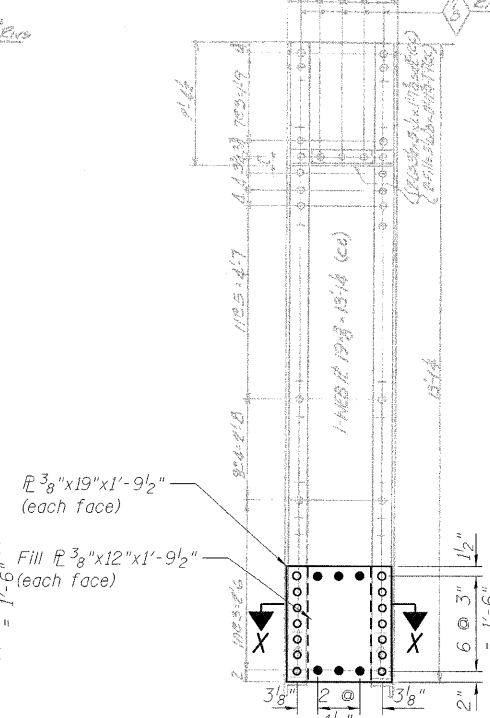
**SECTION T-T**  
POST L6-U7



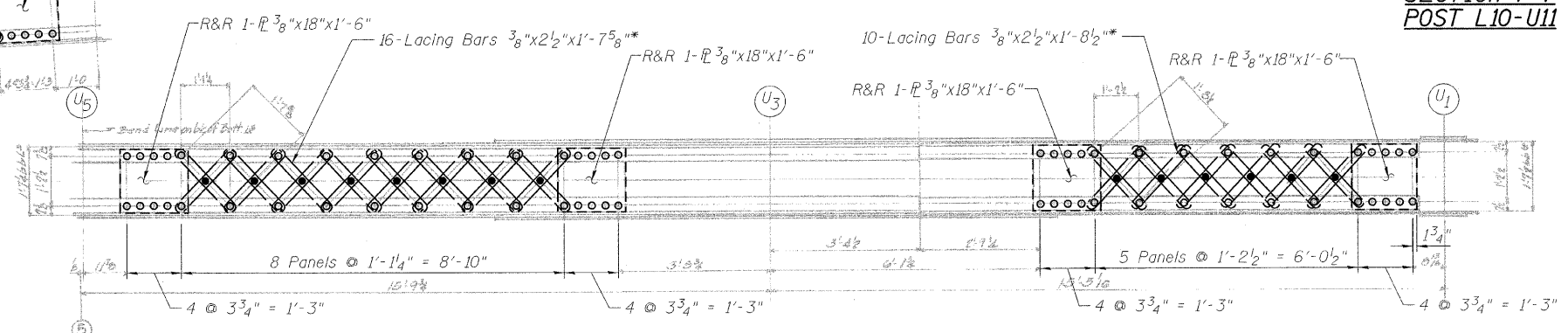
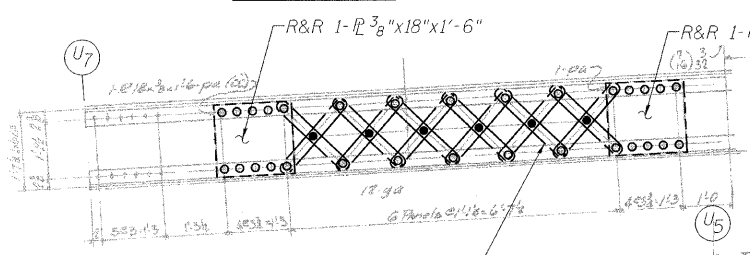
**SECTION U-U**  
POST L8-U9



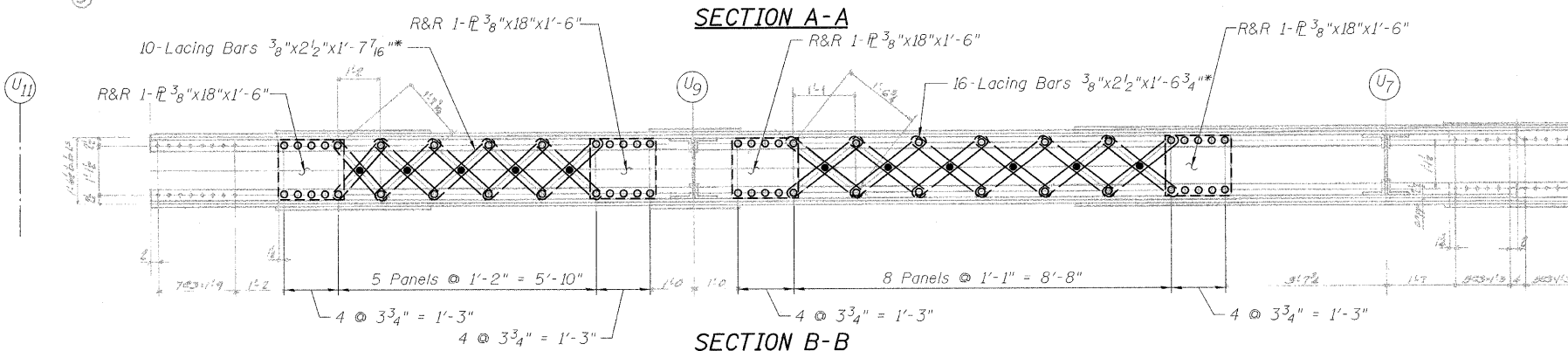
**SECTION V-V**  
POST L10-U11



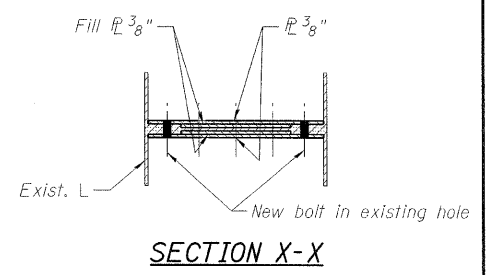
**SECTION W-W**  
POST L12-U13



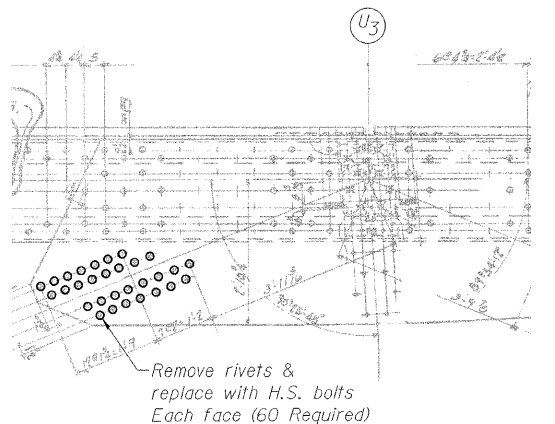
**SECTION A-A**



**SECTION B-B**



**SECTION X-X**



**DETAIL A**

- LEGEND**
- R&R Remove & replace
  - Existing fastener to remain
  - Hole to match existing location
  - New hole
  - Existing member to remain
  - New member

Note:  
Portions of this drawing are extracted from original drawings for this bridge. Details shown are provided to illustrate the work to be performed.

\* Measured Center-Center of holes.  
Proposed bar length and shape to match existing bars.

**PB Americas, Inc.**  
230 WEST MONROE STREET,  
SUITE 900  
CHICAGO, IL. 60606

SHEET NO. 90	F.A.P RTE.	SECTION	COUNTY	TOTAL SHEETS	SHEET NO.
	389	2424.2B-R	COOK	398	171
163 SHEETS	CONTRACT NO. 60D61		FED. ROAD DIST. NO. 7 ILLINOIS FED. AID PROJECT		

**TRUSS REPAIRS**  
**INSIDE TRUSS (SOUTHWEST)**  
**STRUCTURE NO. 016-2445**