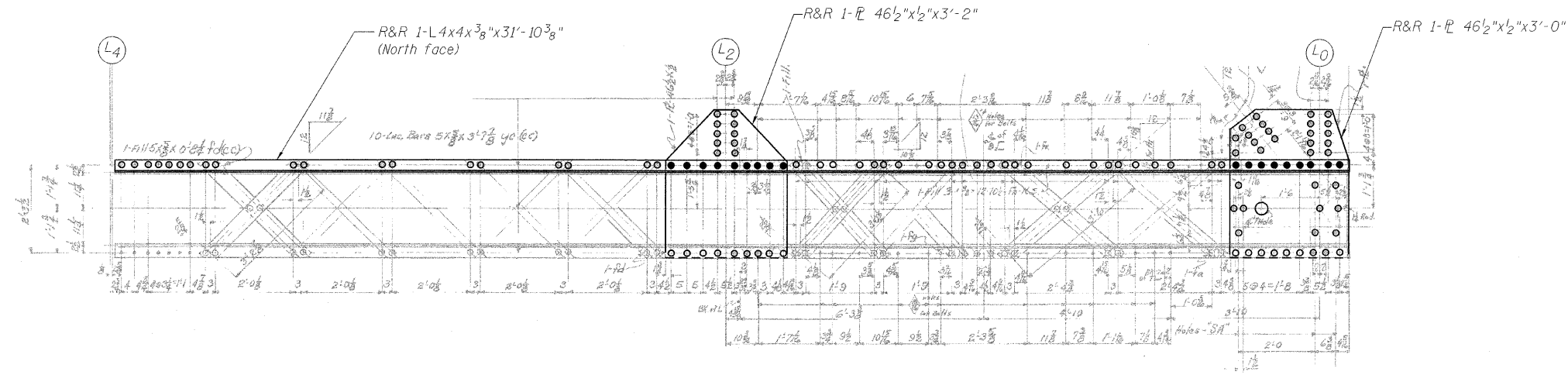
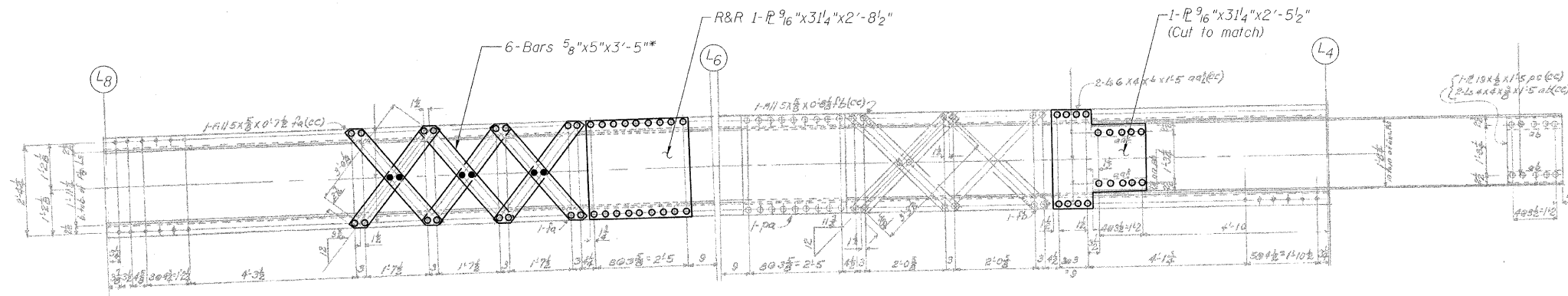


STATE OF ILLINOIS  
DEPARTMENT OF TRANSPORTATION

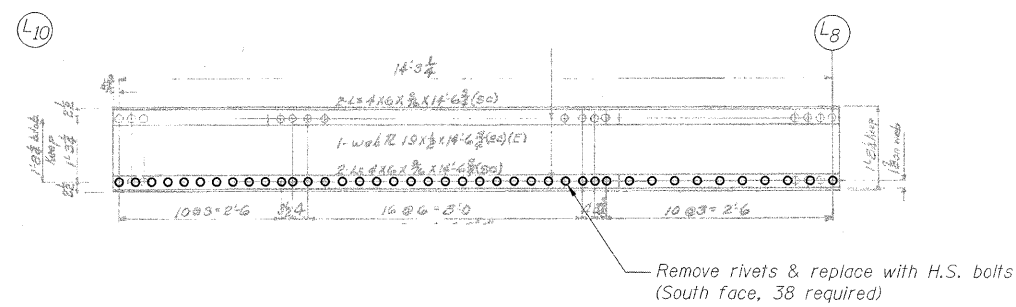


SECTION D-D



SECTION E-E

\* Measured Center-Center of holes.  
Proposed bar length and shape  
to match existing bars.



SECTION Q-Q

**LEGEND**

- R&R Remove & replace
- Existing fastener to remain
- Hole to match existing location
- New hole
- Existing member to remain
- New member

Note:  
Portions of this drawing are extracted from original drawings for this bridge. Details shown are provided to illustrate the work to be performed.

**TRUSS REPAIRS  
OUTSIDE TRUSS (SOUTHWEST)  
STRUCTURE NO. 016-2445**

DESIGNED	P. PETERSON
CHECKED	J. GRAINAWI
DRAWN	D. C. PATEL
CHECKED	A. HAMMAD

**PB Americas, Inc.**  
230 WEST MONROE STREET,  
SUITE 900  
CHICAGO, IL. 60606

SHEET NO. 96	F.A.P. RTE.	SECTION	COUNTY	TOTAL SHEETS	SHEET NO.
	389	2424.2B-R	COOK	398	177
163 SHEETS	CONTRACT NO. 60D61				
FED. ROAD DIST. NO. 7 ILLINOIS FED. AID PROJECT					