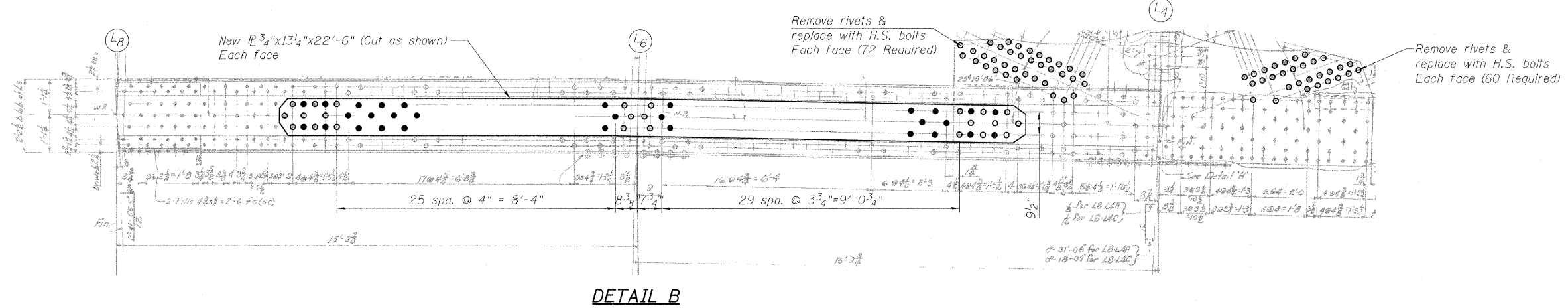
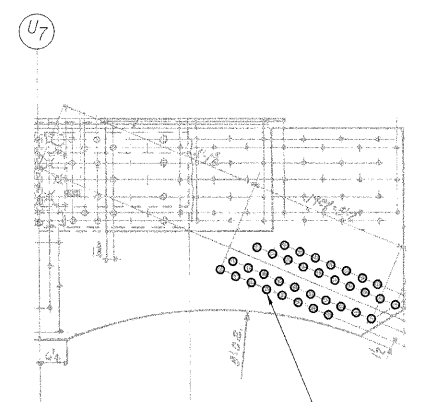
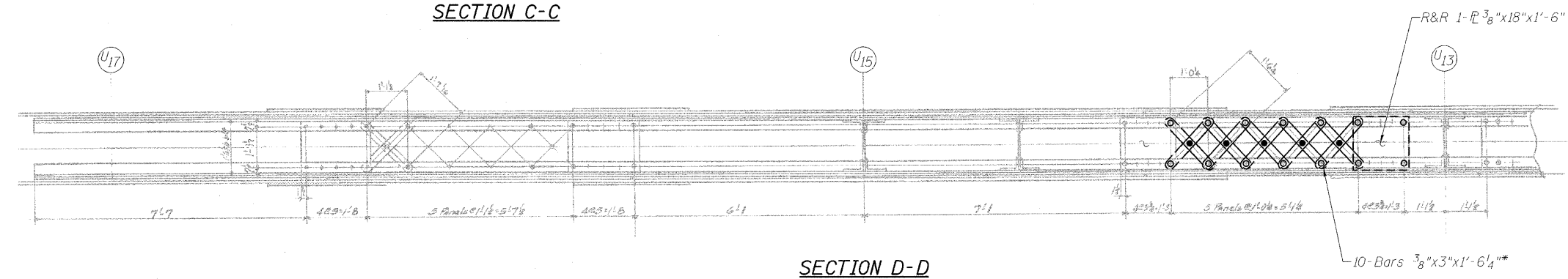
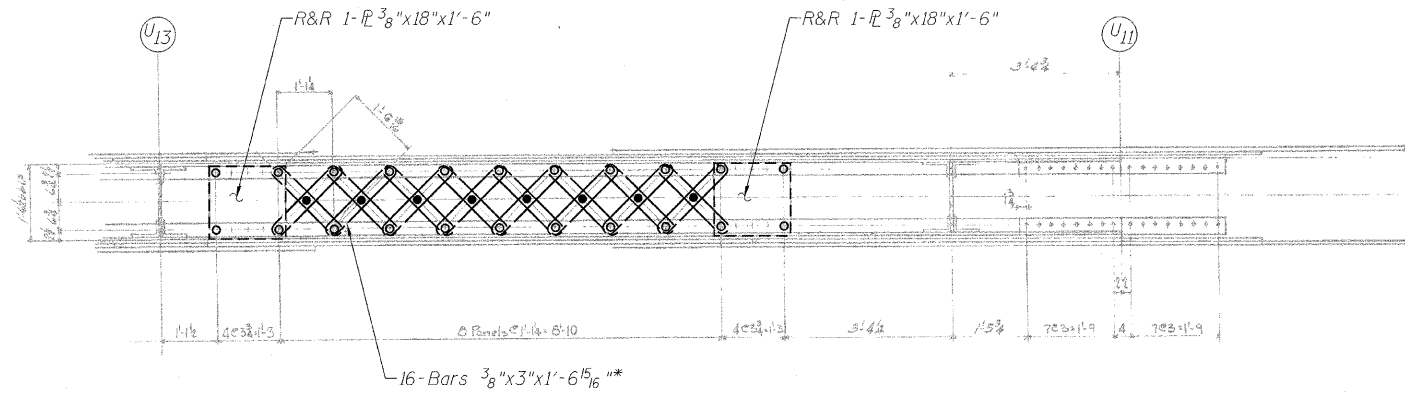


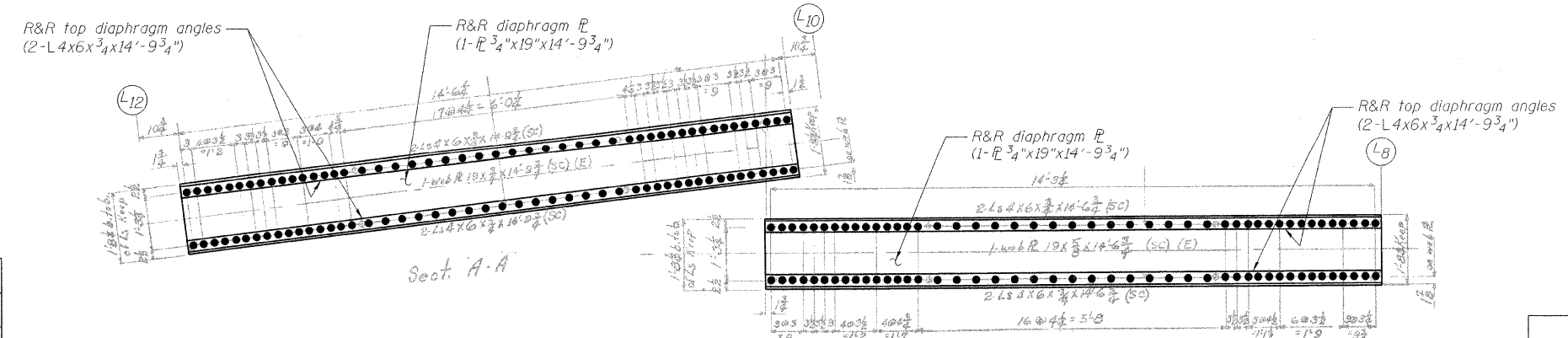
STATE OF ILLINOIS
DEPARTMENT OF TRANSPORTATION



Remove rivets & replace with H.S. bolts Each face. (70 Required)

- LEGEND**
- R&R Remove & replace
 - Existing fastener to remain
 - Hole to match existing location
 - New hole
 - Existing member to remain
 - New member

Note:
Portions of this drawing are extracted from original drawings for this bridge. Details shown are provided to illustrate the work to be performed.



* Measured Center-Center of holes.
Proposed bar length and shape to match existing bars.

PB Americas, Inc.
230 WEST MONROE STREET,
SUITE 900
CHICAGO, IL. 60606

DESIGNED	B. GILHOUSEN
CHECKED	J. GRAINAWI
DRAWN	D. C. PATEL
CHECKED	A. HAMMAD

**TRUSS REPAIRS
INSIDE TRUSS (SOUTHEAST)
STRUCTURE NO. 016-2445**

SHEET NO. 101 163 SHEETS	F.A.P RTE.	SECTION	COUNTY	TOTAL SHEETS	SHEET NO.
	389	2424.2B-R	COOK	398	182
FED. ROAD DIST. NO. 7 ILLINOIS			CONTRACT NO. 60D61		
FED. AID PROJECT					

T:\16843A\Structural\Cadd\Pre-final\EB_Plans\0162445-60D61-TRR-099.dgn
07-MAY-2009