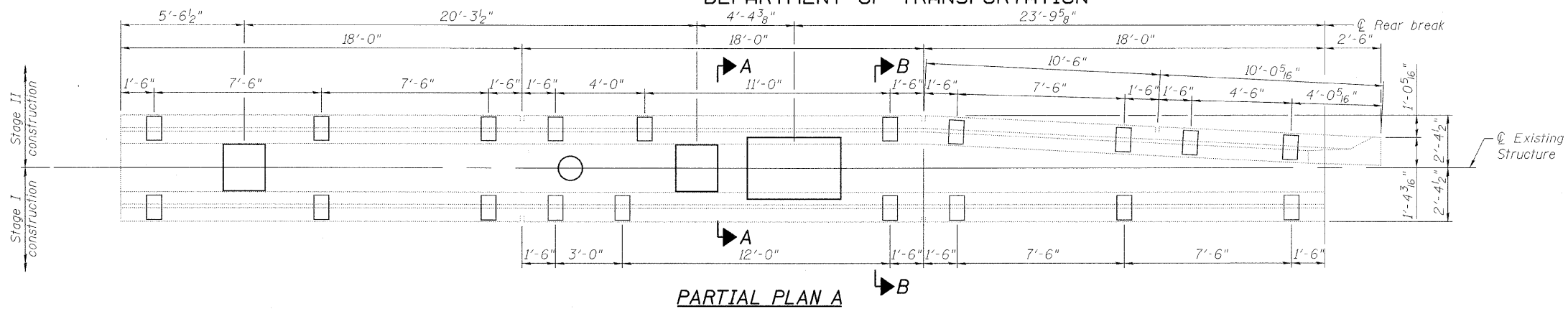
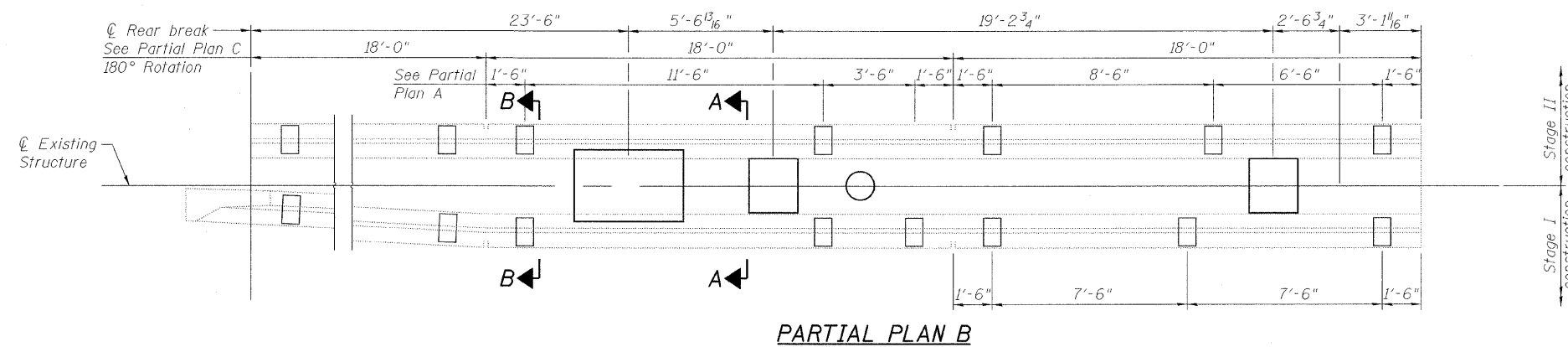


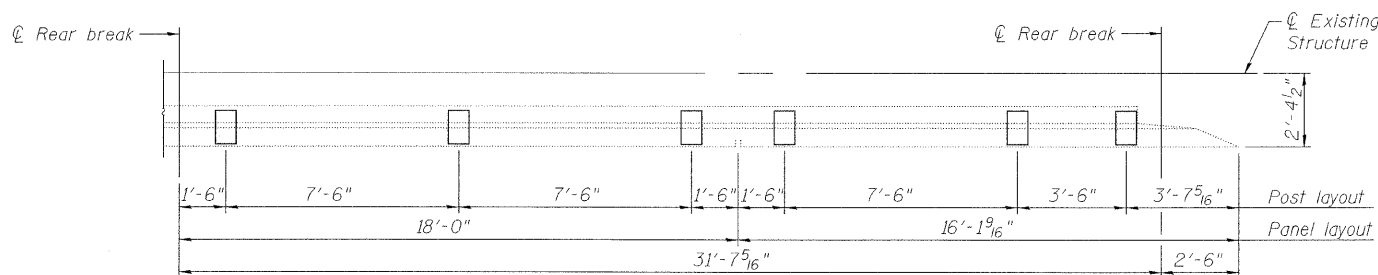
STATE OF ILLINOIS
DEPARTMENT OF TRANSPORTATION



PARTIAL PLAN A

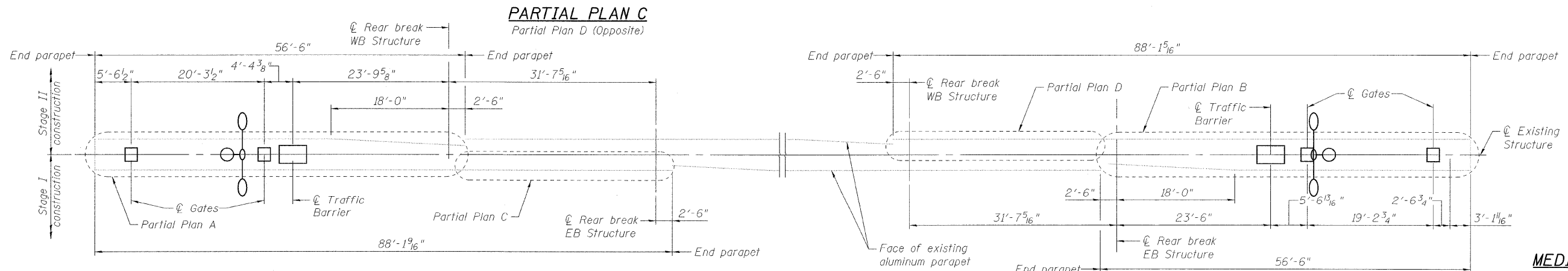


PARTIAL PLAN B



PARTIAL PLAN C

Note:
See sheet 129 of 163 for Sections A-A
and Section B-B.



KEY PLAN

MEDIAN PARAPET
FIXED SPAN
STRUCTURE NO. 016-2445

DESIGNED	P. PILARSKI
CHECKED	J. GRAINAWI
DRAWN	D. C. PATEL
CHECKED	A. HAMMAD

PB Americas, Inc.
230 WEST MONROE STREET,
SUITE 900
CHICAGO, IL. 60606

SHEET NO. 122 163 SHEETS	F.A.P RTE.	SECTION	COUNTY	TOTAL SHEETS	SHEET NO.
	389	2424.2B-R	COOK	398	203
CONTRACT NO. 60D61					
FED. ROAD DIST. NO. 7 ILLINOIS FED. AID PROJECT					

T:\16843A\Structural\Cadd\Pre-final\EB_Plans\0162445-60D61-122-NJ.B.dgn
05-JUN-2009 10:02