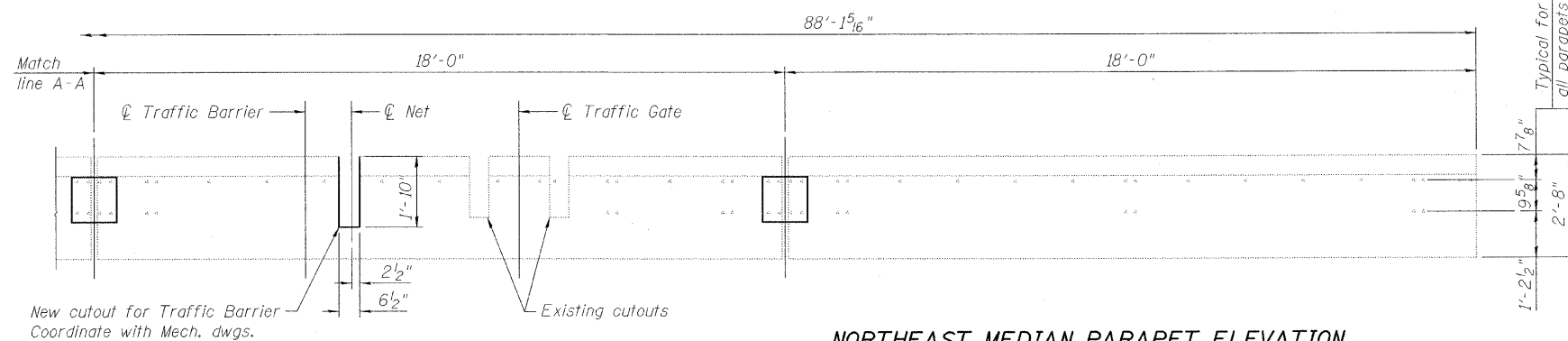
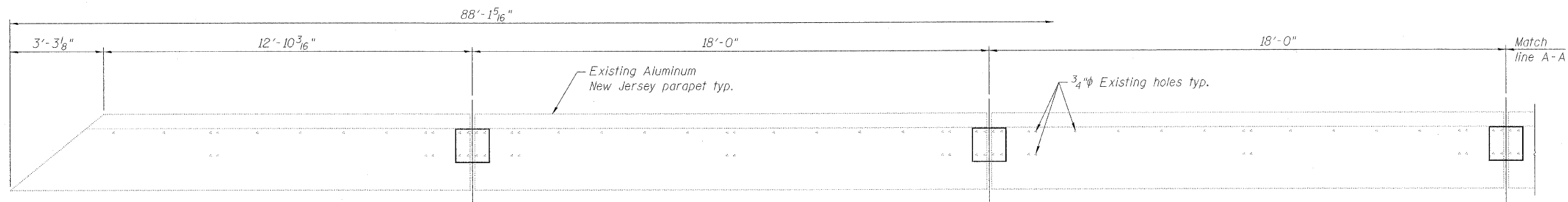
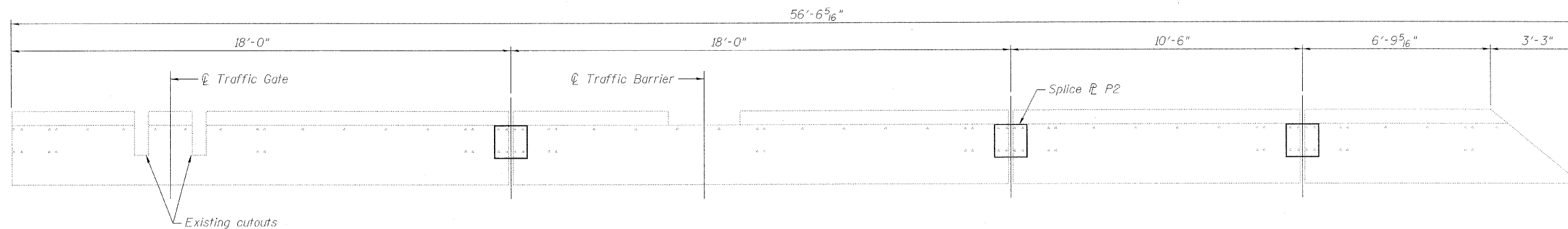


STATE OF ILLINOIS
DEPARTMENT OF TRANSPORTATION



NORTHEAST MEDIAN PARAPET ELEVATION



NORTHWEST MEDIAN PARAPET ELEVATION

DESIGNED	P. PILARSKI
CHECKED	J. GRAINAWI
DRAWN	D. C. PATEL
CHECKED	A. HAMMAD

Notes:
See sheet 127 of 163 for details
of splice plates P1 and P2.
All splice plates type P1
unless otherwise noted.

**MEDIAN PARAPET
FIXED SPAN (WB)
STRUCTURE NO. 016-2445**

PB Americas, Inc.
230 WEST MONROE STREET,
SUITE 900
CHICAGO, IL. 60606

SHEET NO. 124 163 SHEETS	F.A.P RTE.	SECTION	COUNTY	TOTAL SHEETS	SHEET NO.
	389	2424.2B-R	COOK	398	205
CONTRACT NO. 60D61					
FED. ROAD DIST. NO. 7 ILLINOIS FED. AID PROJECT					